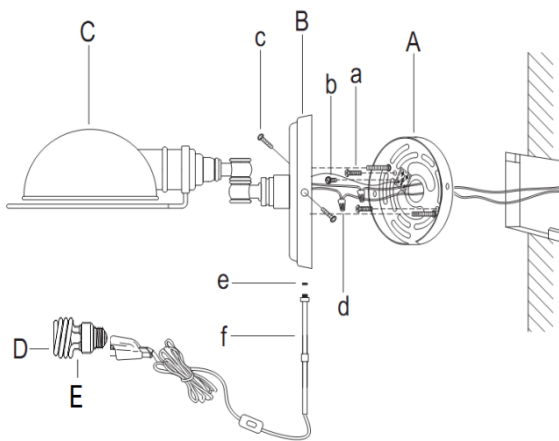


RH TEEN

ACADEMY TASK SCONCE - ASSEMBLY INSTRUCTIONS

PARTS ENCLOSED:

- | | |
|------------------------|------------------------------|
| (A) Mounting Plate (1) | (a) Mounting Plate Screw (2) |
| (B) Back Plate (1) | (b) Ground Wire Screw (1) |
| (C) Shade (1) | (c) Back Plate Screw (2) |
| (D) 3-Prong Plug (1) | (d) Wire Connector (2) |
| (E) Lightbulb (1) | (e) Plug Screw (1) |
| | (f) Cord Cover (1) |



IMPORTANT SAFETY INSTRUCTIONS:

For safety purposes, this lamp is equipped with a polarized plug (one prong is wider than other). If the plug does not fit securely into your outlet, do not force it - contact a professional electrician. Use the plug with an extension cord only if it can be fully inserted into the cord's socket. Never alter the plug in any way.

This fixture has been rated for up to (1) 40-Watt maximum Type B standard incandescent lightbulb (not included) or one (1) 13-Watt maximum compact fluorescent lightbulb (not included) or one (1) 9-Watt maximum LED lightbulb (included).

To avoid the risk of fire, do not exceed the recommended wattage.

WARNINGS:

All wires are connected. When unpacking, be careful not to pull wires as a bad connection may result. Do not connect electricity unless your fixture is fully assembled. To reduce the risk of fire, electrical shock, or personal injury, always turn off fixture and allow it cool prior to replacing the lightbulb. Do not touch the bulb when fixture is turned on or look directly at lit bulb. Keep flammable materials away from lit bulb.

THIS PRODUCT IS NOT A TOY AND HAS NO PLAY VALUE.

⚠ WARNING: STRANGULATION HAZARD

Keep cord at least 3 feet away from cribs, bassinets, and toddler beds.
Keep out of reach of children under 3 years of age.

PLUG-IN ASSEMBLY & INSTALLATION:

1. Carefully remove all parts from the box and remove all the plastic coverings.
2. Attach the Mounting Plate (A) to the wall using the Mounting Plate Screw (a).
3. Attach the Back Plate (B) to the Mounting Plate (A) using the enclosed Back Plate Screw (c).
4. Screw the Cord Cover (f) into the hole located at the bottom of the Back Plate (B).
5. Insert the bulb (E) into the threaded socket and turn clockwise to secure.
6. Insert 3-Prong Plug (D) into the proper electrical outlet and test fixture.

DIRECT WIRE ASSEMBLY & INSTALLATION:

1. Carefully remove all parts from the box and remove all the plastic coverings.
2. SHUT OFF THE MAIN ELECTRICAL SUPPLY FROM THE MAIN FUSE BOX.
3. Cut the plug from end of electrical cord. From the back side of the fixture, pull the electrical cord through the exit hole at the bottom of the back plate. Thread Plug Screw (e) into the hole vacated by the cord.
4. Cut the cord to the desired length (at least 6" from the back plate) for making the "J Box" connection.
5. Guide the wire from outlet box through center hole in the Mounting Plate (A).
6. Attach the Mounting Plate (A) to the outlet box using the Mounting Plate Screw (a).
7. Attach the ground wire (usually green or bare wire) from the fixture to the ground junction box wire from the outlet box (usually green or bare wire) with a Wire Connector (d) and wrap the connection with electrical tape or screw the Ground Wire Screw (b) into the Mounting Plate (A) and wrap the fixture's bare ground wire around the green Ground Wire Screw (b).
8. Connect the hot wire to the junction box wire (usually black) with a Wire Connector (d) and wrap the connection with electrical tape. Connect the neutral wire to the junction box wire (usually white) with a Wire Connector (d) and wrap the connection with electrical tape.
9. Attach the Back Plate (B) to the Mounting Plate (A) using the enclosed Back Plate Screw (c).
10. Insert the bulb (E) into the threaded socket and turn clockwise to secure.
11. Restore power to the junction box and test fixture.
12. Installation is complete.

CARE INSTRUCTIONS:

Do not use polishes or cleaners on the lamp.
Wipe clean with a soft, dry cloth.