





FRENCH EMPIRE EXTENSION PLAY TABLE

PART LIST

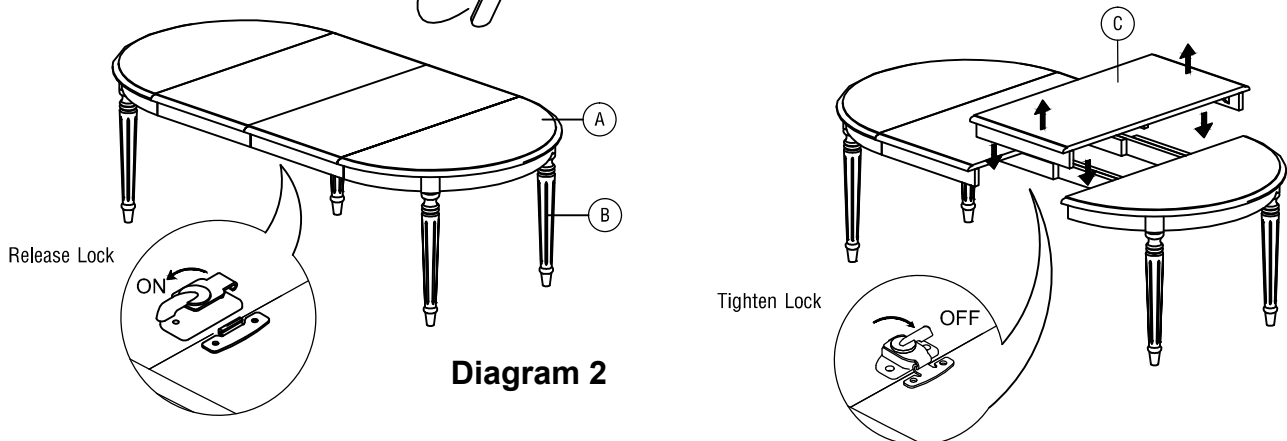
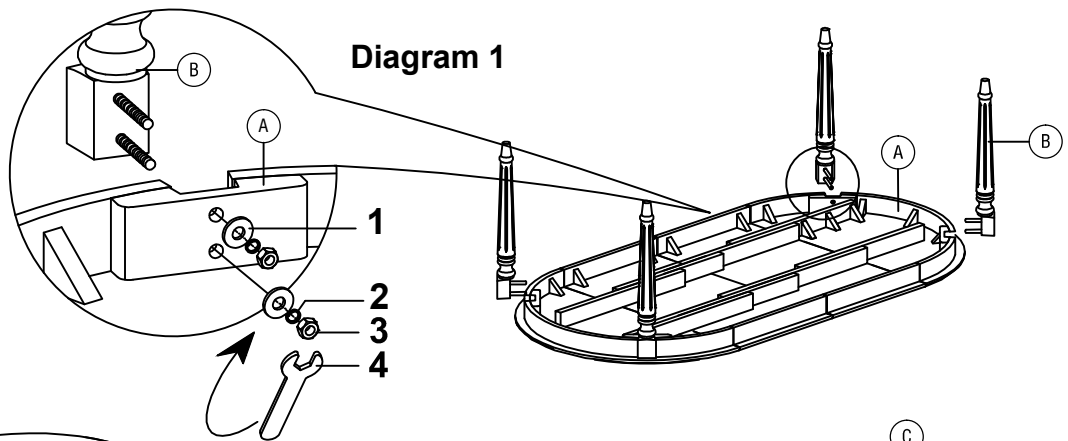
A [1] TABLE TOP
B [4] TABLE LEGS
C [2] TABLE LEAVES

HARDWARE

1	5/16" FLAT WASHER		8
2	5/16" SPRING WASHER		8
3	5/16" HEX NUT		8
4	12mm HEX WRENCH		1

ASSEMBLY INSTRUCTION.

1. Turn Table Top (A) upside down and place on a clean padded surface, such as carpeted floor, to prevent scratches.
2. Place the Table Leg (B) upside down on the bottom of the table top and insert bolts through pre-drilled holes. Slide one Flat Washer (1), one Spring Washer (2), and then one Hex Nut (3) onto each bolt of the leg and tighten using Hex Wrench (4) (Diagram 1).
3. Repeat procedure with the other three Legs (B) and Table Top (A).
4. Carefully return the table upright. Table can be assembled with no leaves, one leaf, or both leaves (Diagram 2).



CARE INSTRUCTIONS:

- Dust often using a clean, soft, dry lint-free cloth.
- Blot spills immediately, and wipe with a clean, damp cloth.
- We do not recommend the use of chemical cleansers, abrasives, or furniture polish on our lacquered finish.