

## AVIATOR HEADBOARD ASSEMBLY INSTRUCTIONS

**WARNING:** ADULT ASSEMBLY ONLY OWING TO THE PRESENCE OF SMALL PARTS, SHARP POINTS AND EDGES

**Customer Service-** If you are missing parts or have any questions about this product, please contact us at : 1-800-762-1751

### CARE INSTRUCTIONS:

- Dust often using a clean, soft, dry lint-free cloth.
- Blot spills immediately, and wipe with a clean, damp, cloth.
- We do not recommend the use of chemical cleansers, abrasives, or furniture polish on our lacquered finish.

### FURNITURE TIPPING RESTRAINT

Young children may be injured by tipping furniture and the use of a tipping restraint is highly recommended. When properly installed, this restraint could provide protection against the unexpected tipping of furniture due to small tremors, bumps or climbing. We recommend mounting this restraint to a wall stud.

**WARNING:** This product is only a deterrent. It is not a substitute for proper adult supervision.

### TOOLS NEEDED

- Allen key

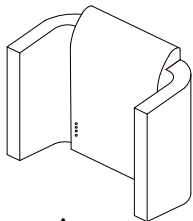


### PARTS

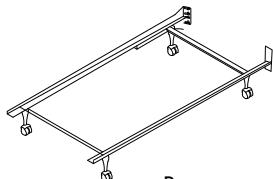
- A Headboard
- B Metal bed frame (sold separately)

### HARDWARE

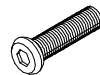
- Bolt (4 pieces)
- Spring washer (4 pieces)
- Flat washer (4 pieces)



A



B



Allen bolt



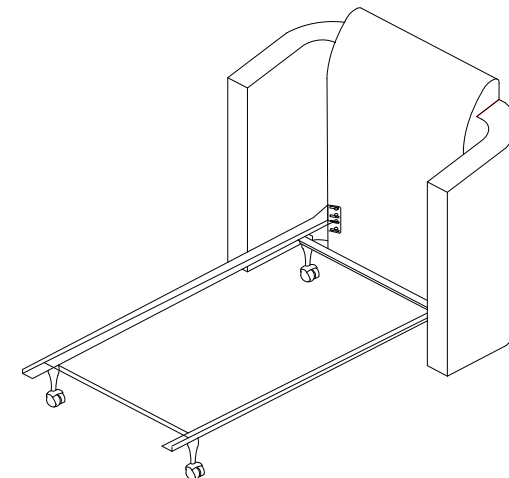
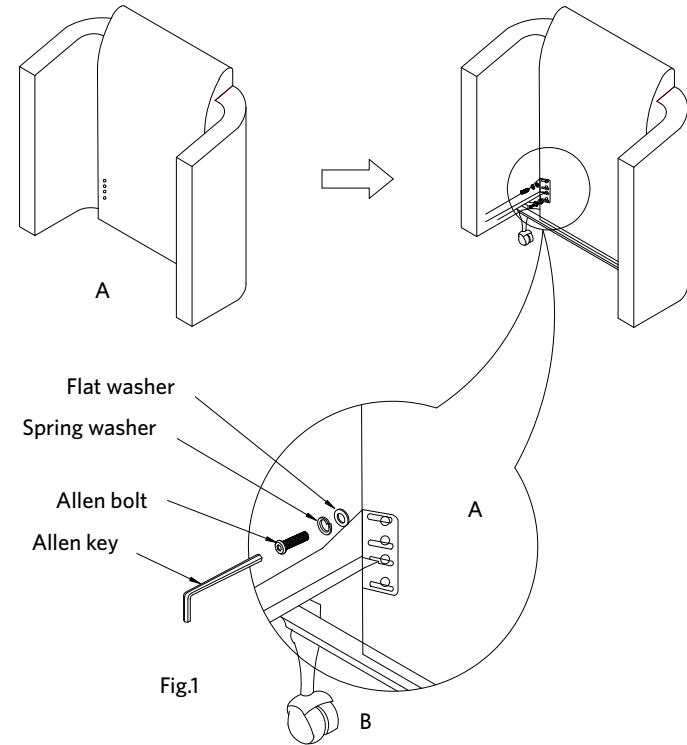
Flat washer



Spring washer

### ASSEMBLY INSTRUCTIONS

1. Carefully unpack the headboard and remove metal bed frame from packaging.
2. Stand the headboard (A) upright on a protected surface.
3. Align the holes on connection plate of the metal bed frame (B) with the threaded holes on bottom of the headboard (A). Secure by using 2 bolts with 2 flat washers, 2 spring washers. Tighten with Philips screw driver (NOT INCLUDED). (Fig.1)  
Repeat the same procedure to secure the other side.
4. Aviator Headboard assembly is complete.



Thank you for your purchase.

[www.rhbabyandchild.com](http://www.rhbabyandchild.com)