

# baby&child

RESTORATION HARDWARE

## EMELIA QUEEN CANOPY BED



**WARNING:** ADULT ASSEMBLY ONLY OWING TO THE PRESENCE OF SMALL PARTS, SHARP POINTS AND EDGES

**Customer Service-** If you are missing parts or have any questions about this product, please contact us at : 1-800-762-1751

### CARE INSTRUCTIONS

- Dust often using a clean, soft, dry lint-free cloth.
- Blot spills immediately, and wipe with a clean, damp cloth.
- We do not recommend the use of chemical cleansers, abrasives, or furniture polish on our lacquered finish.



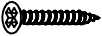

### TOOLS NEEDED

### PART LIST

- A [1] HEADBOARD PANEL
- B [2] SHORT CANOPY POSTS
- C [2] LONG CANOPY POSTS
- D [1] FOOTBOARD PANEL
- E [2] SIDE RAILS
- F [1] SLAT ROLL
- G [2] SHORT CANOPY RAILS
- H [2] LONG CANOPY RAILS
- I [4] CANOPY FINIALS - LARGE
- J [5] SUPPORTS LEGS

- Rubber/wood Mallet or hammer
- Book or magazine
- Screwdriver

### HARDWARE LIST

NO.		Description	Q'TY
1		Connecting bolt 6 x14mm	8 Pcs
2		Camlock wheel	8 Pcs
3		Wood Screw 8x30mm	18 Pcs
4		Wood plug 8x30mm	8 Pcs

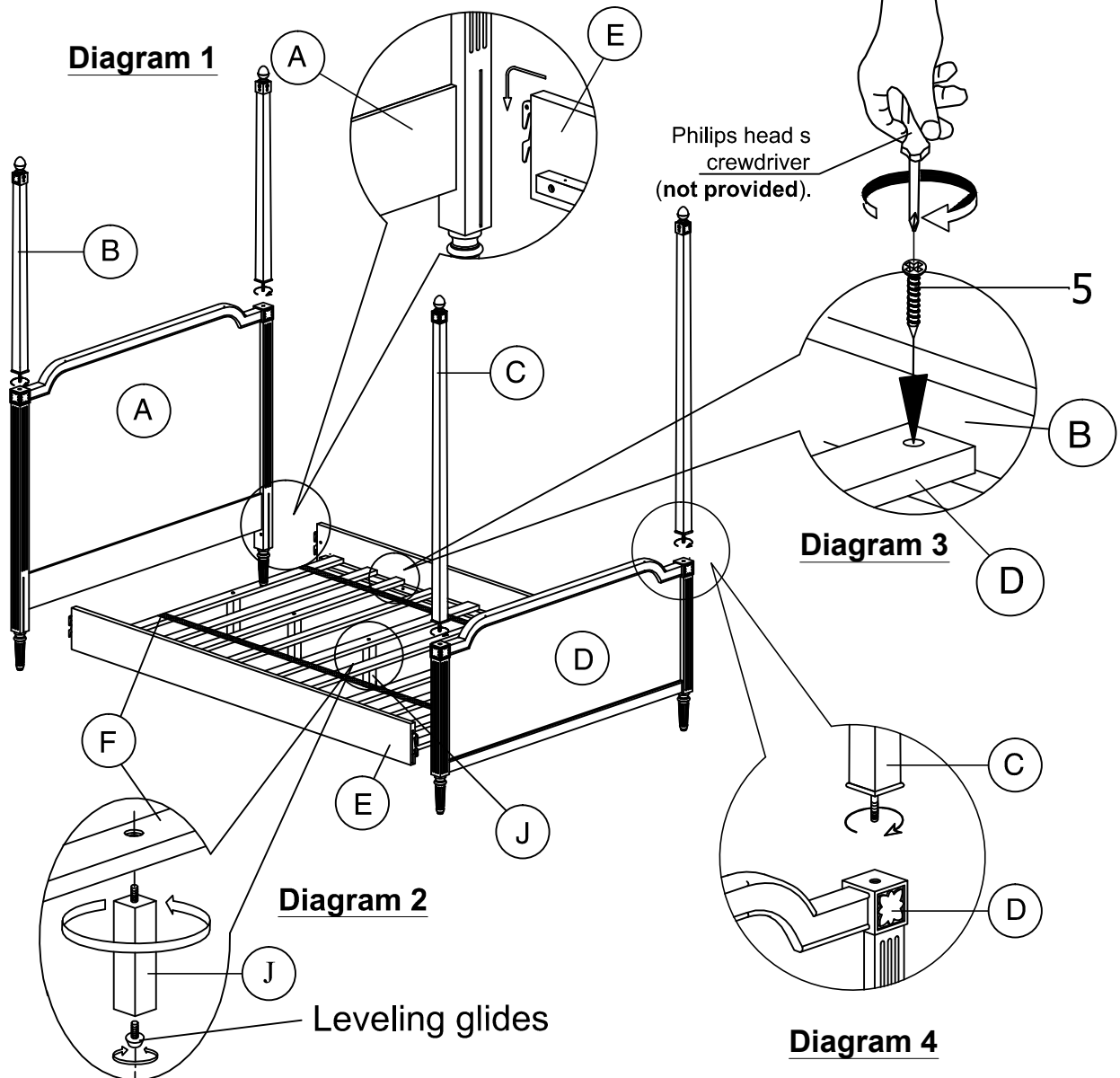
### ASSEMBLY INSTRUCTIONS

**Note:** Bed can be assembled by one person rather easily, but if two people are available it is easier and the operation will require less preparation. The instructions are written assuming one person is assembling the bed.

1. Place the Headboard (A) upright in the position you wish the bed to be in when fully assembled. The headboard bed fast hardware should be facing the inside, toward the mattress. The Side Rails (E) are not handed parts so either rail will work on the right or left side. While holding the Headboard (A) up, place the hooks in the rail into the slots in the post of the headboard. If necessary, using a thick magazine or book to protect the side rails, hammer the hook-rail with a mallet or hammer until tight.

Repeat the procedure with the other rail. The Headboard Panel (A) will now stand on it's own with the rails supporting it.  
 Insert the side rail hooks into the slots in the Footboard (D) and use the method described above (as shown in diagram 1).

2. Tighten the Support Legs (J) to the Slat Roll (F) (as shown in diagram 2).
3. Lay the Slat Roll (F) in between the Side Rail (E) and secure with Wood Screws (3) (as shown in diagram 3).
4. Secure the Canopy Posts (B) & (C) to the top of bed posts.

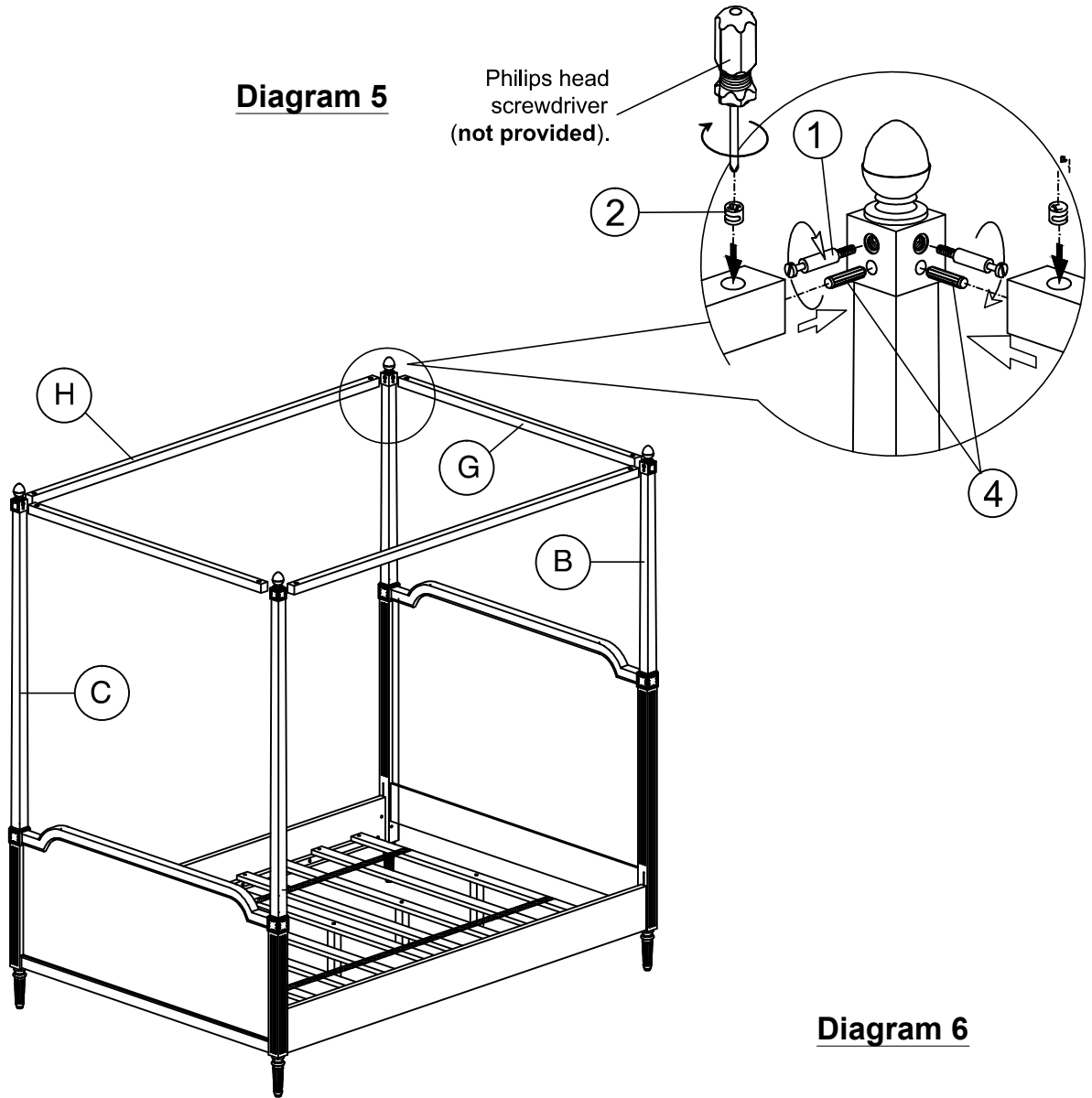


5. Insert Connecting Bolts (1) and Wood Plugs (4) to the Canopy Posts (B) & (C). Then secure the Canopy Rails (G) & (H) to the canopy posts. Place Camlock Wheel (2) into the holes inside of the canopy rails by aligning the arrow sign of the camlock wheel to the connecting bolt. Twist to tighten in counter clockwise direction using Phillips head screwdriver (not provided).

Repeat the same procedure to the other 3 connection points of canopy set.

**Diagram 5**

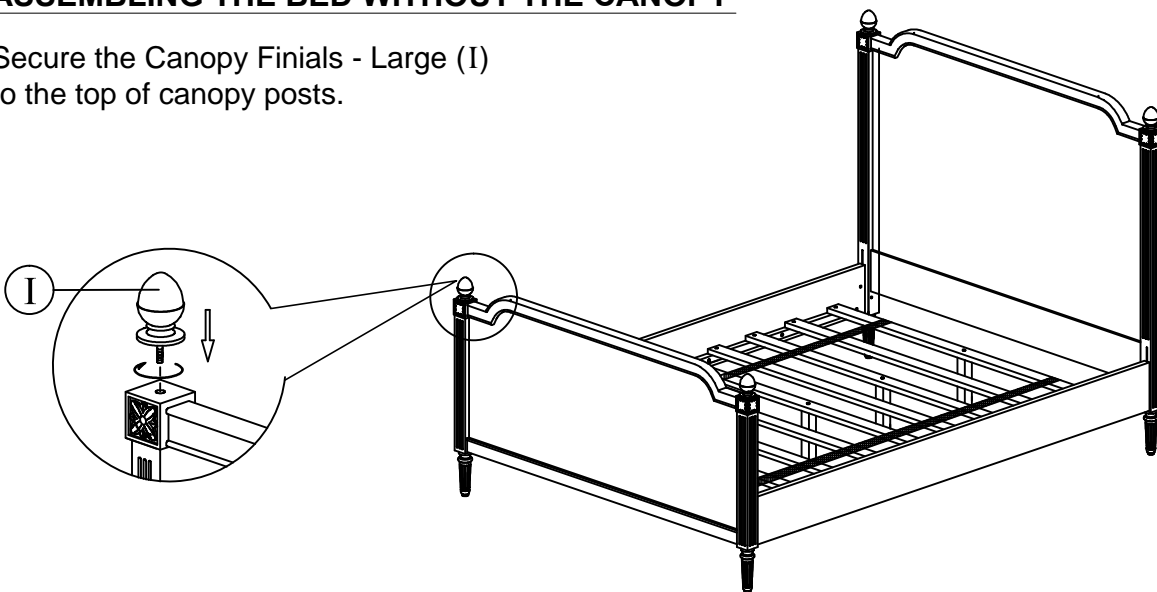
Philips head  
screwdriver  
(not provided).



**Diagram 6**

**ASSEMBLING THE BED WITHOUT THE CANOPY**

Secure the Canopy Finials - Large (I)  
to the top of canopy posts.



*Thank you for your purchase*  
[www.rhbabyandchild.com](http://www.rhbabyandchild.com)