

baby&child

RESTORATION HARDWARE

JOURDAN WIDE DRESSER TOPPER

⚠ WARNING: FALL HAZARD - To prevent death or serious injury from falls, always keep child within arm's reach, NEVER LEAVE CHILD UNATTENDED and always use restraining system.

This changing table is intended for use with children weighing up to 50 pounds.

Jourdan wide dresser topper will be used with Jourdan wide dresser (sold separately) with size 56" W x 18.5" D x 36" H. Cushion pads size is 32" W x 16" D x 4"H.

Do not use Jourdan dresser if it is damaged or broken.

Customer Service - If you are missing parts or have any question about this product, please contact us at: 1-800-762-1751

IMPORTANT SAFETY INSTRUCTIONS:

Please read all instructions before use of the dresser or topper.

For your safety, assembly by two or more adults is recommended.

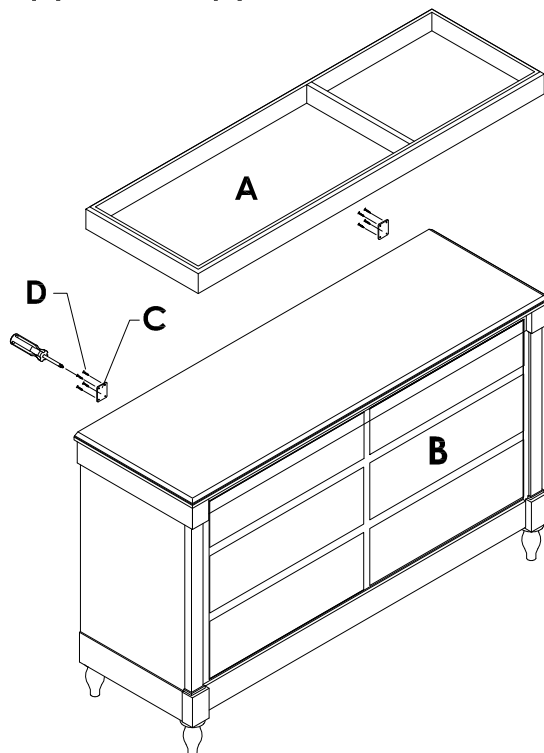
Keep instructions for future use.

PART LIST

- A. [1] JOURDAN WIDE DRESSER TOPPER
- B. [1] JOURDAN WIDE DRESSER
- C. [2] METAL BRACKET
- D. [8] PHILIPS WOOD SCREW

TOPPER ASSEMBLY INSTRUCTION

Place the dresser topper [A] on top of the dresser [B], and check the distance on both sides to make sure the dresser topper is centered correctly. Secure the metals brackets [C] to the back of the dresser [B] and to the back of the dresser topper [A] with screws [D].



CARE INSTRUCTIONS:

- Dust often using a clean, soft, dry lint-free cloth.
- Blot spills immediately, and wipe with a clean, damp, cloth.
- We do not recommend the use of chemical cleansers, abrasives, or furniture polish on our lacquered finish

Thank you for your purchase
www.rhbabyandchild.com