

# baby&child

## RESTORATION HARDWARE

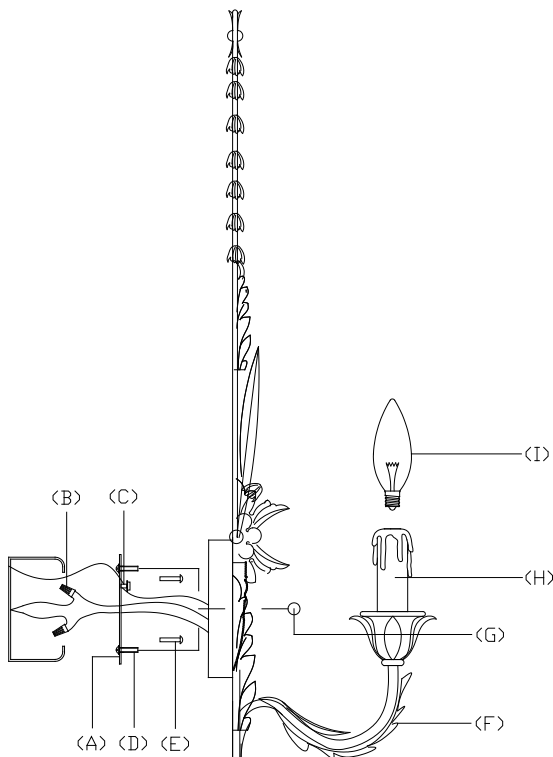
Thank you for selecting Restoration Hardware Baby & Child lighting. Our assortment is crafted with the highest quality materials that coordinate perfectly with our Baby & Child bedding collections, making it easy to create an elegant nursery or child's bedroom. The item's surface is sealed, which eliminates the need for polishing and ensures a lasting finish for years to come.

### PARTS ENCLOSED:

- (A) Mounting Plate (1)
- (B) Plastic Wire Connector (2)
- (C) Ground Screw (1)
- (D) Back Plate Mounting Screw (2)
- (E) Junction Box Mounting Screw (2)
- (F) Wall Sconce Base (1)
- (G) Nut (2)
- (H) Candle Sleeve (2)
- (I) Bulb (2) - Not Included

### MILANA SCONCE

### Direct Wire Installation



### IMPORTANT SAFETY INSTRUCTIONS:

**WE RECOMMEND INSTALLATION BY A LICENSED ELECTRICIAN.** This fixture has been rated for up to two (2) 60-watt maximum TYPE E12 B-10 bulbs. To avoid the risk of fire, do not exceed the recommended wattage.

### WARNINGS:

All wires are connected. When unpacking, be careful not to pull wires as a bad connection may result. Do not connect electricity until your sconce is fully assembled.

To reduce the risk of fire, electrical shock, or personal injury, always turn off sconce and allow it to cool prior to replacing light bulb. Do not touch bulb when fixture is turned on or look directly at lit bulb. Keep flammable materials away from lit bulb.

**THIS IS NOT A TOY AND THE PRODUCT HAS NO PLAY VALUE.**

### TO ASSEMBLE:

1. Carefully remove all parts from the box and remove all plastic covering.
2. Turn OFF power to the junction box where the wall sconce will be installed.
3. Connect Mounting Plate (A) to the hot junction box with Junction Box Mounting Screws (E).
4. Use the Plastic Wire Connector (B) to connect the sconce wires to the junction box wires. Wrap the ground wire around the Ground Screw (C).
5. Connect the Wall Sconce Base (F) to the Mounting Plate (A) using the Back Plate Mounting Screws (D) and Nuts (G).
6. Place the Candle Sleeves (H).
7. Insert 60-watt Bulbs (I - Not Included) into Sockets (H) and secure.
8. Installation is complete.

### CARE INSTRUCTIONS:

Do not use polishes or cleaners on your sconce. Wipe clean with a soft cloth.