




baby&child

RESTORATION HARDWARE

INDUSTRIAL RIVET DRESSER MIRROR

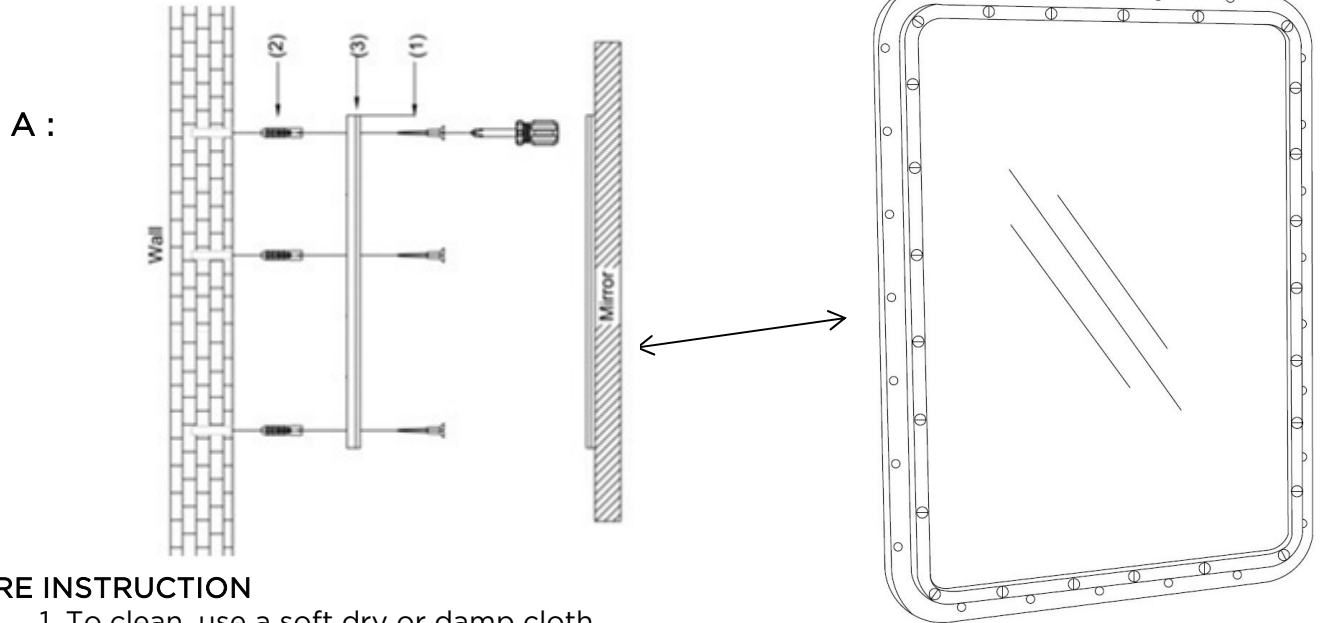
PARTS INCLUDED

- A [1] Mirror
- B [2] Iron Hanger

NO	ITEM	DESCRIPTION	QTY
1		Screws	8
2		Plastic Anchor	8
3		Iron Hanger	2

ASSEMBLY INSTRUCTIONS

1. Unpack all parts, and place them on a protected work surface.
2. Determine the exact location of the fixture, and mark the holes on the wall surface using the holes in the iron hanger (3) as a guide, ensuring levelness. (Please note: For safety, it is best to mount the bracket/mirror to at least one wall stud, located with an electric stud finder). Each hole should be just large enough to accommodate a plastic anchor (2).
3. Drill small holes on each point on the wall.
4. Insert plastic anchors (2) into the holes on the wall, turning until flange of anchors are flush with wall.
5. Mount the iron hanger into the wall using screws (1).
6. Check that the iron hanger fixture is securely screwed into the wall.
7. Place the mirror with hanger cleat (A) onto iron hanger fixture, ensuring that the two brackets are aligned.
8. Installation is complete.



CARE INSTRUCTION

1. To clean, use a soft dry or damp cloth.
2. Do not use abrasive cleaner.

IMPORTANT SAFETY INSTRUCTIONS

1. This hanging system is meant for drywall/stud mounting only. If walls are concrete, brick or plaster, please consult your local hardware store for assistance.
2. Professional installation is recommended. However, if you choose to install the mirror yourself, two people are recommended.
3. Check with a professional to ensure your wall can tolerate a mirror weighing 49 lbs.