

COLETTE TUFTED HEADBOARD

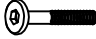






WARNING: ADULT ASSEMBLY ONLY OWING TO THE PRESENCE OF SMALL PARTS, SHARP POINTS AND EDGES

PARTS INCLUDED

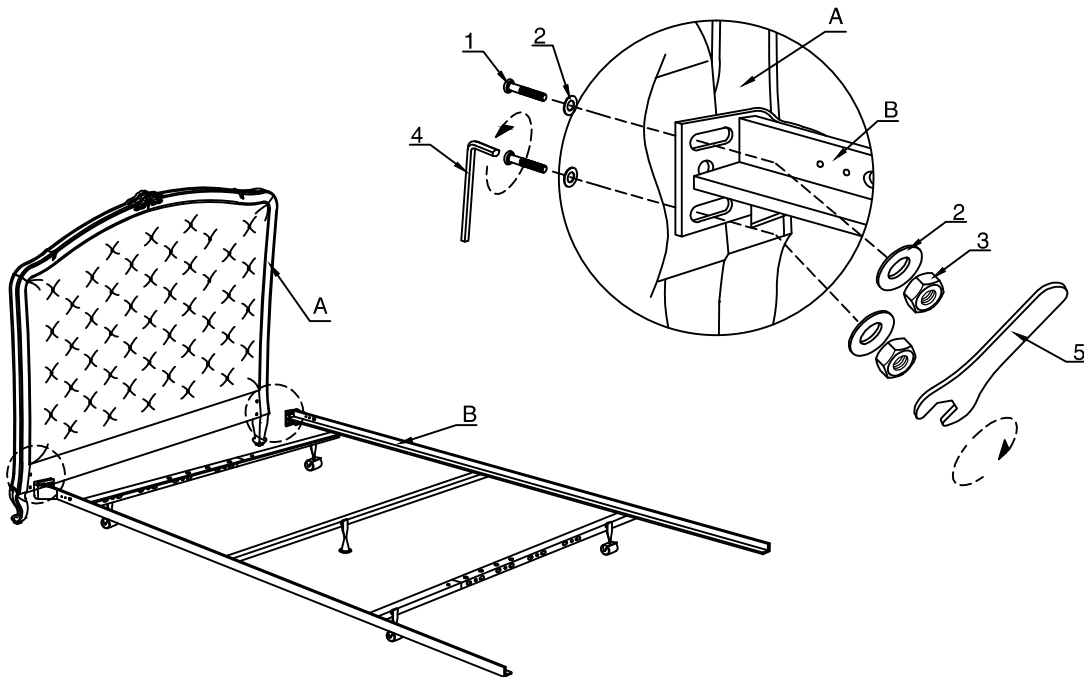
A [1] Headboard

B [1] Metal Bed Frame (SOLD SEPARATELY)

NO.	ITEM	DESCRIPTION	QTY.
1		1/4" x 2-1/2" Bolt	4pcs
2		1/4" Flat Washer	8pcs
3		1/4" Nut	4pcs
4		4mm Allen Wrench	1pc
5		10mm Wrench	1pc

ASSEMBLY INSTRUCTIONS

Place Metal Bed Frame (A) over the pre-drilled holes on the Headboard (A) and secure with the Bolt (1), Flat Washer (2), Nut (3). Tighten with Allen Wrench (4) and Wrench (5).



CARE INSTRUCTIONS:

- . Dust often using a clean, soft, dry lint-free cloth.
- . Blot spills immediately, and wipe with a clean, damp cloth.
- . We do not recommend the use of chemical cleansers, abrasives, or furniture polish on our lacquered finish.