

**baby& child**  
RESTORATION HARDWARE



**WARNING:**

Read all Instructions before assembling this product.

**KEEP INSTRUCTIONS FOR FUTURE USE.**

All Restoration Hardware cribs are designed to meet the highest safety standards and comply with all U.S. and Canadian cribs and cradles regulations.

# baby&child

---

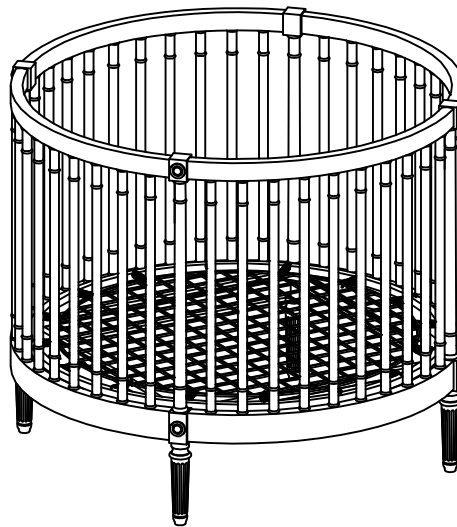
RESTORATION HARDWARE

Restoration Hardware Baby & Child  
11640 Harrel St, Suite B  
Mira Loma, CA 91752  
rhhbabyandchild.com  
Made in Vietnam

Model No: #281-10  
"Ellery Round Crib"

Distributed in the U.S.A by:  
Restoration Hardware Baby & Child  
11640 Harrel St, Suite B  
Mira Loma, CA 91752  
rhhbabyandchild.com

Distributed in Canada by:  
Restoration Hardware Canada  
Inc. 1500-1055 West Georgia  
Street, Vancouver, British  
Columbia V6E4N7



## CUSTOMER SERVICE

If you are missing parts or have any questions about this product, contact us first. You can also order parts by writing to the address above. Include the product model number, color, and a brief description of the part. Call 1-800-762-1751.

## CARE AND CLEANING

**DO NOT** scratch or chip the finish. **DO NOT** use abrasive chemicals for cleaning. Dust often using a clean, soft dry cloth. Rinse and dry thoroughly. If the crib is to be stored, store in a cool dry place and carefully package all original hardware to protect from loss.

## IMPORTANT SAFETY INFORMATION FOR CRIBS



**WARNING:** Infants can suffocate on soft bedding. Never add a pillow or comforter. Never place additional padding under an infant.



**WARNING:** Failure to follow these warnings and the assembly instructions could result in serious injury or death.

- Never use plastic shipping bags or other plastic film as mattress covers because they can cause suffocation.
- Infants can suffocate in gaps between crib sides and a mattress that is too small.
- To reduce the risk of **SIDS**, pediatricians recommend healthy infants be placed on their backs to sleep, unless otherwise advised by your physician.

### ***Strangulation Hazard:***

- Strings can cause strangulation! **DO NOT** place items with a string around a child's neck, such as hood strings or pacifier cords. **DO NOT** suspend strings over a crib or attach strings to toys.
- To help prevent strangulation tighten all fasteners. A child can trap parts of the body or clothing on loose fasteners.
- **DO NOT** place crib near window where cords from blinds or drapes may strangle a child.

### ***Fall Hazard:***

- When child is able to pull to a standing position, set mattress to lowest position and remove bumper pads, large toys and other objects that could serve as steps for climbing out.
- When child is able to climb out or reaches the height of 35 in (89 cm), the crib shall no longer be used, and the child should be placed in a youth or regular bed.
- Check this product for damaged hardware, loose joints, missing parts or sharp edges before and after assembly and frequently during use. **DO NOT** use crib if any parts are missing, damaged or broken. Contact customer service at 1-800-762-1751 for replacement parts and instructional literature if needed. **DO NOT** substitute parts.
- **DO NOT** use a water mattress with this crib.
- If refinishing, use a non-toxic finish specified for children's products.
- Follow warnings on all products in a crib.
- Never use plastic shipping bags or other plastic film as mattress covers because they can cause suffocation.
- Infants can suffocate in gaps between crib sides and a mattress that is too small.

## IMPORTANT SAFETY INFORMATION FOR ELLERY ROUND CRIBS

**CAUTION:** Check proper fit of mattress. Mattress should be not more than 5.5 inches thick. The maximum gap between the mattress and inside of crib border (or edge) should be no more than 1 inch.

### **WARNING**

- Do not use this crib if the enclosed or attached instructions cannot be strictly adhered to. Do not use this crib if the child is able to climb out unaided or is taller than 90 cm. Do not place cords, straps or similar items that could become wound around the child's neck in or near this crib. Ensure that the sides are properly latched or locked in place when the crib is occupied. The mattress used with this crib should not be more than 5.5 inches (14cm) thick and should be of such length and width that the gap between the mattress and the sides of the crib is not more than 3 cm when the mattress is pushed into the corner of the crib.
- Parents should inspect the crib regularly before putting the child in the crib each day and confirm that every component of the crib is properly and securely in place.

 **WARNING:**

**Infants can suffocate**

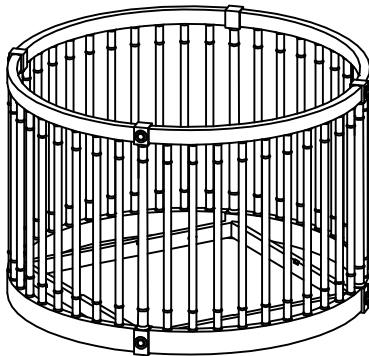
- In gaps between a mattress too small or too thick and product sides
- On soft bedding

NEVER add a mattress, pillow, comforter, or padding.

- The Product, including side rails, must be fully erected prior to use.
- Child can become entrapped and die when improvised netting or covers are placed on top of product. Never add such items to confine child in product.
- Always provide the supervision necessary for the continued safety of your child. When used for playing, never leave child unattended.

# Parts Identification

(A) Top Round Crib (x1 piece)

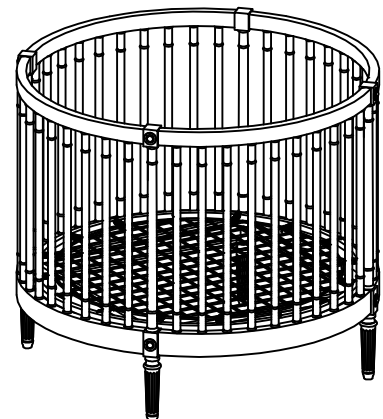
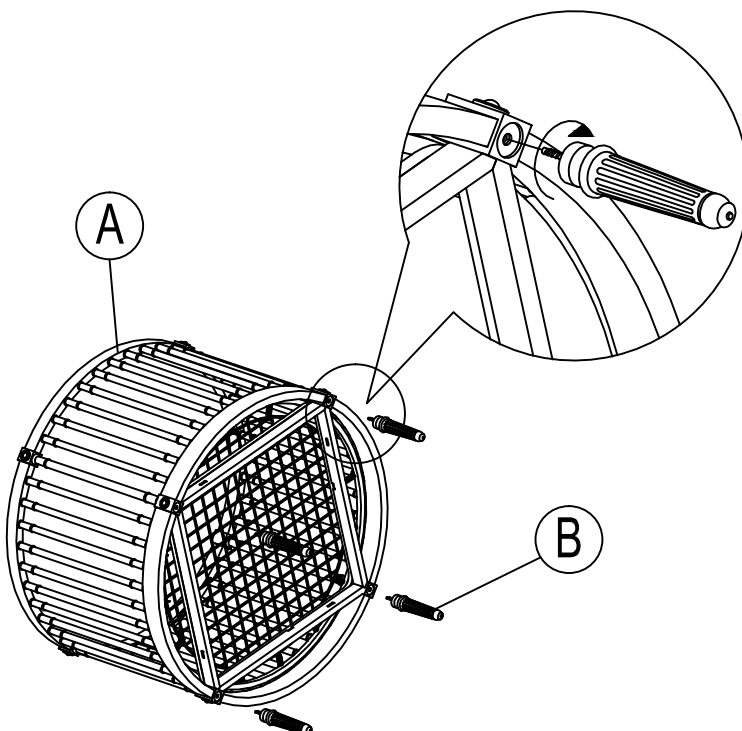


(B) Legs (x4 pieces)



## ASSEMBLY INSTRUCTIONS

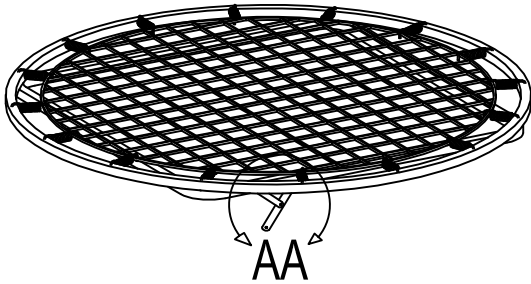
1. Remove all parts from carton and separate them into part number groups as indicated on the parts list. When ordering additional parts, please indicate manufacturer's replacement part number (mrp#) as well as part name.
2. Tip over the Crib (A) on a smooth flat surface.
3. Secure the Legs (B) to bottom of the Crib (A).
4. Turn the Crib to the upright position.
5. Adjust feet at upright position to ensure feet stand evenly on the floor.



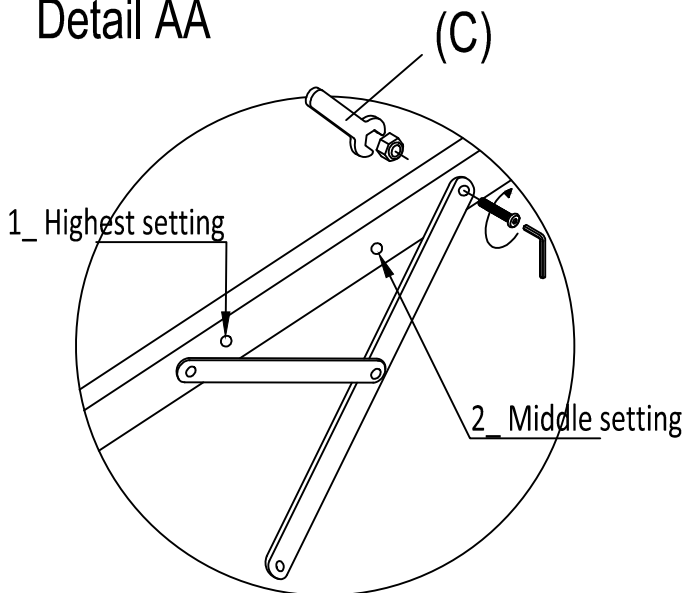
# MATTRESS SUPPORT ADJUSTMENT

**Hardware needed :**  
(C) Multi Wrench (1 Piece)

Please note: Mattress support bolts may have loosened during shipment. Please tighten bolts before use.



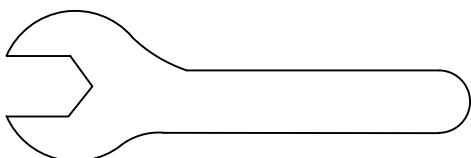
Detail AA



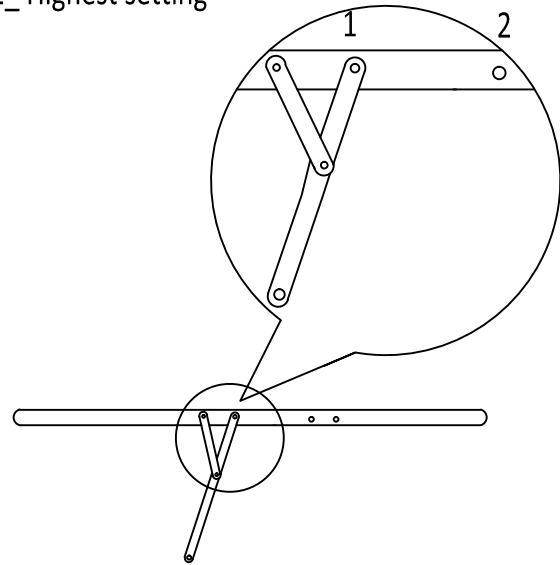
Note : The mattress support is easily adjustable to varying heights by loosening and removing all of the bolts from mattress support of the current level and inserting into a different hole for higher or lower level.

**Hardware needed :**

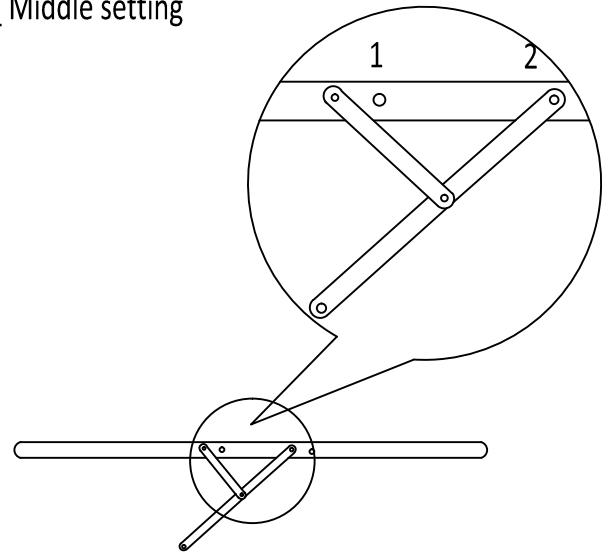
(C) Multi Wrench (1 piece)



1\_ Highest setting



2\_ Middle setting



3\_ Lowest setting

