

baby&child

RESTORATION HARDWARE

Thank you for selecting Restoration Hardware Baby & Child lighting. Our assortment is crafted with the highest quality materials that coordinate perfectly with our Baby & Child bedding collections, making it easy to create an elegant nursery or child's bedroom. Each item's surface is sealed which eliminates the need for polishing and ensures a lasting finish for years to come.

PARTS ENCLOSED:

- (A) Socket
- (B) Bulb
- (C) Cover
- (D) Screw(3pcs)
- (E) Wall anchor(2pcs)
- (F) Wall scew(2pcs)

IMPORTANT SAFETY INSTRUCTIONS:

For safety purposes, this lamp is equipped with a polarized plug (one blade is wider than the other). If the plug does not fit securely into your outlet, do not force it - contact a professional electrician. Use the plug with an extension cord only if it can be fully inserted into the cord's socket. Never alter the plug in any way.

This lamp has been rated for up to (1) E12 7W MAX type T incandescent bulb. To avoid the risk of fire, do not exceed the recommended wattage.

VINTAGE HEADLIGHT

WARNINGS:

All wires are connected. When unpacking, be careful not to pull wires as a bad connection may result. Do not connect electricity until your lamp is fully assembled.

To reduce the risk of fire, electrical shock, or personal injury, always turn off and unplug lamp and allow it to cool prior to replacing light bulb.

Do not touch bulb when fixture is turned on or look directly at lit bulb.

Keep flammable materials away from lit bulb.

THIS IS NOT A TOY AND THE PRODUCT HAS NO PLAY VALUE

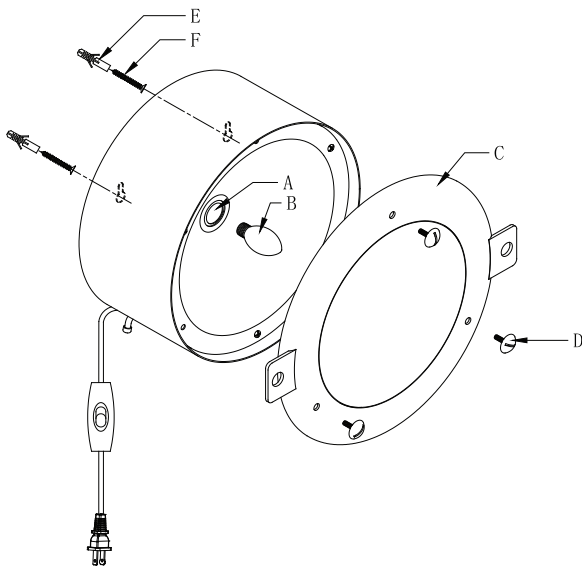
TO ASSEMBLE:

For use as a table lamp:

1. Carefully remove all parts from the box and remove all plastic covering.
2. Place the lamp on the tabletop carefully.
4. Turn the screw (D) to open the cover (C).
5. Insert the (1) 7W MAX incandescent bulb (B) (included) into the threaded socket (A).
6. Put back the cover (C) and turn the screw (D) to secure.
7. Plug into proper electrical outlet and turn on the lamp.
8. Assembly is complete.

For use as a wall lamp:

1. Carefully remove all parts from the box and remove all plastic covering.
2. Turn the screw (D) to open the cover (C).
3. Insert the (1) 7W MAX incandescent bulb (B) (included) into the threaded socket (A).
4. Drill 2 holes in the wall that align with the holes on the back cover of the lamp, and insert wall anchors (E).
5. Screw wall screws (F) into anchors and slide lamp onto screws.
6. Plug into proper electrical outlet and turn on the lamp.
7. Assembly is complete.



CARE INSTRUCTIONS:

Do not use polishes or cleaners on your lamp.
JUST WIPE CLEAN WITH SOFT CLOTH.