

# baby&child

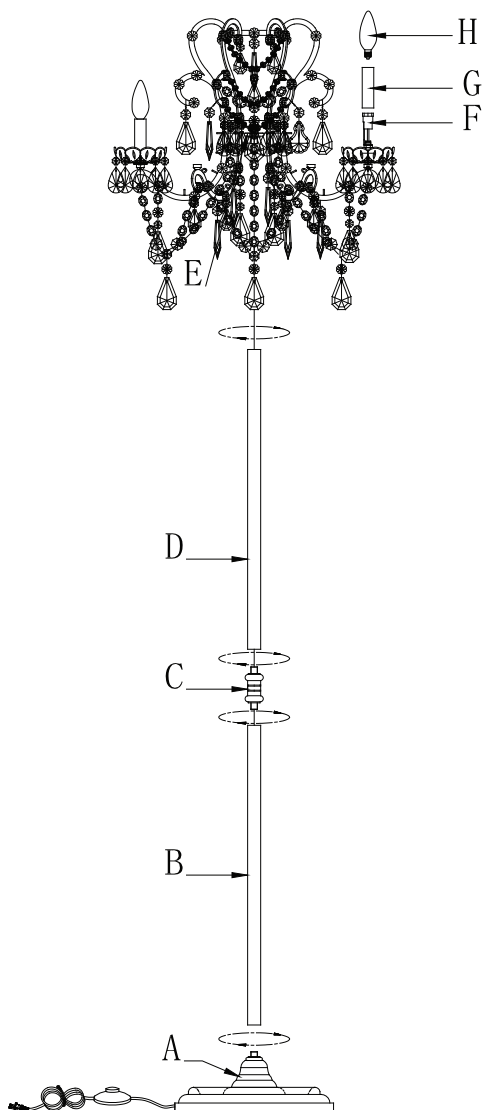
RESTORATION HARDWARE

Thank you for selecting Restoration Hardware Baby & Child lighting. Our assortment is crafted with the highest quality materials that coordinate perfectly with our Baby & Child bedding collections, making it easy to create an elegant nursery or child's bedroom. Each item's surface is sealed which eliminates the need for polishing and ensures a lasting finish for years to come.

## PARTS ENCLOSED:

- (A) Base
- (B) Bottom tube
- (C) Center connector
- (D) Upper tube
- (E) Body
- (F) Socket
- (G) Socket sleeve
- (H) 25W Bulbs (4)

## MANOR COURT CRYSTAL 4-ARM FLOOR LAMP



## IMPORTANT SAFETY INSTRUCTIONS:

For safety purposes, this lamp is equipped with a polarized plug (one blade is wider than the other). If the plug does not fit securely into your outlet, do not force it - contact a professional electrician. Use the plug with an extension cord only if it can be fully inserted into the cord's socket. Never alter the plug in any way.

This fixture has been rated for up to (4) 40W max type B bulbs. To avoid the risk of fire, do not exceed the recommended wattage.

## WARNINGS:

All wires are connected. When unpacking, be careful not to pull wires as a bad connection may result. Do not connect electricity until your lamp is fully assembled.

To reduce the risk of fire, electrical shock, or personal injury, always turn off and unplug lamp and allow it to cool prior to replacing light bulb.

Do not touch bulb when fixture is turned on or look directly at lit bulbs.

Keep flammable materials away from lit bulbs.

**THIS IS NOT A TOY AND THE PRODUCT HAS NO PLAY VALUE**

## **⚠ WARNING: STRANGULATION HAZARD**

Keep cord at least 3 ft away from cribs, bassinets, and toddler beds. Keep out of reach of children under 3.

## TO ASSEMBLE:

1. Carefully remove all parts from the box and remove all plastic covering.
2. Place the lamp base (A) on the floor carefully.
3. Screw the bottom tube (B) onto base (A) and center connector (C) to (B), (D) to (C), (E) to (D) as shown on the drawing.
4. Put the socket sleeves (G) onto the sockets (F) and insert (4) 40W max type B bulbs into the threaded sockets (F).
5. Plug into proper electrical outlet and test the light.
6. Assembly is complete.

**REMARK:** There are extra crystals for replacement in the packaging.

## CARE INSTRUCTIONS:

Do not use polishes or cleaners on your lamp.  
JUST WIPE CLEAN WITH SOFT CLOTH.