

HAVEN 4 - DRAWER TWIN/FULL BED



WARNING: ADULT ASSEMBLY ONLY OWING TO THE PRESENCE OF SMALL PARTS, SHARP POINTS AND EDGES

Customer Service - If you are missing parts or have any questions about this product, please contact us at : 1-800-762-1751





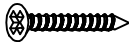
PART LIST

- A [1] HEADBOARD
- B [1] STORAGE BASE
- C [3] TOP PLATFORM PANELS

TOOLS NEEDED

- Phillips head screwdriver (not included)

HARDWARE LIST

1	5/16" x 19mm Flat Washer		4pcs
2	5/16" x 12mm Lock Washer		4pcs
3	5/16" x 2" Bolt		4pcs
4	4mm Allen Key		1pc
5	8 x 30mm Wood Screw		18pcs

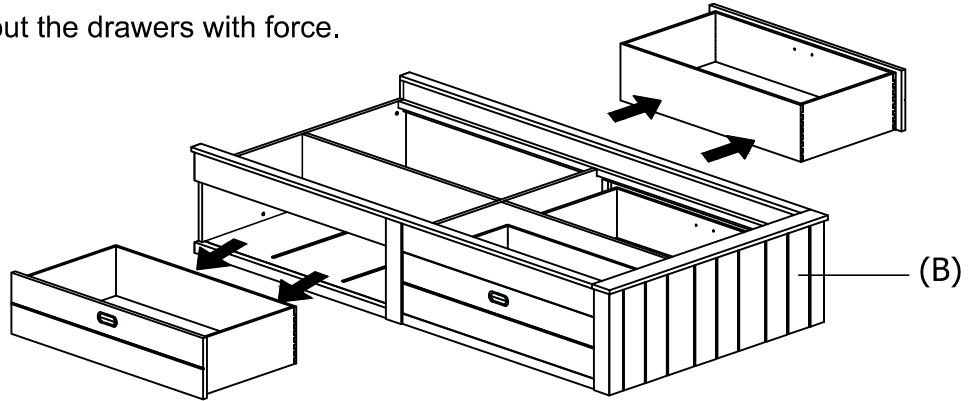
ASSEMBLY INSTRUCTIONS :

Note: Bed can be assembled by one person rather easily, but if two people are available it is easier and the operation will require less preparation. The instructions are written assuming one person is assembling the bed.

1. Carefully pull out the drawers from the Storage Base (B) using force, but being careful not to damage the drawers.
2. Attach the Headboard (A) to the Storage Base (B) by using Flat Washer (1), Lock Washer (2), and Bolts (3). Use Allen Key (4) to tighten.
3. Lay the Top Platform Panels (C) on top of the Storage Base (B) and attach using Qty.18 Wood Screws (5) with Philips head screwdriver (not included).
4. Carefully, re-insert drawers into the Storage Base (B). Assembly is now complete.

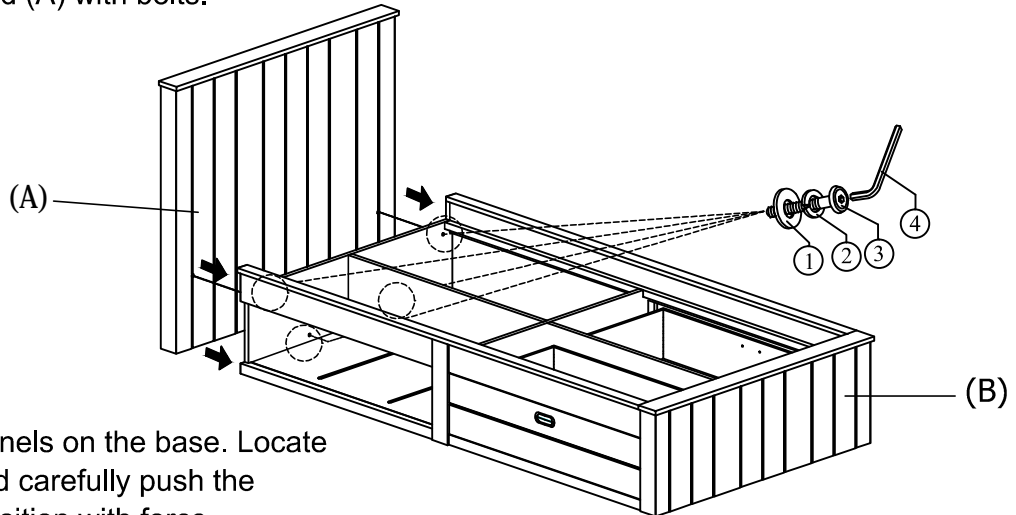
STEP 1:

Please carefully pull out the drawers with force.



STEP 2:

Assemble Headboard (A) with bolts.

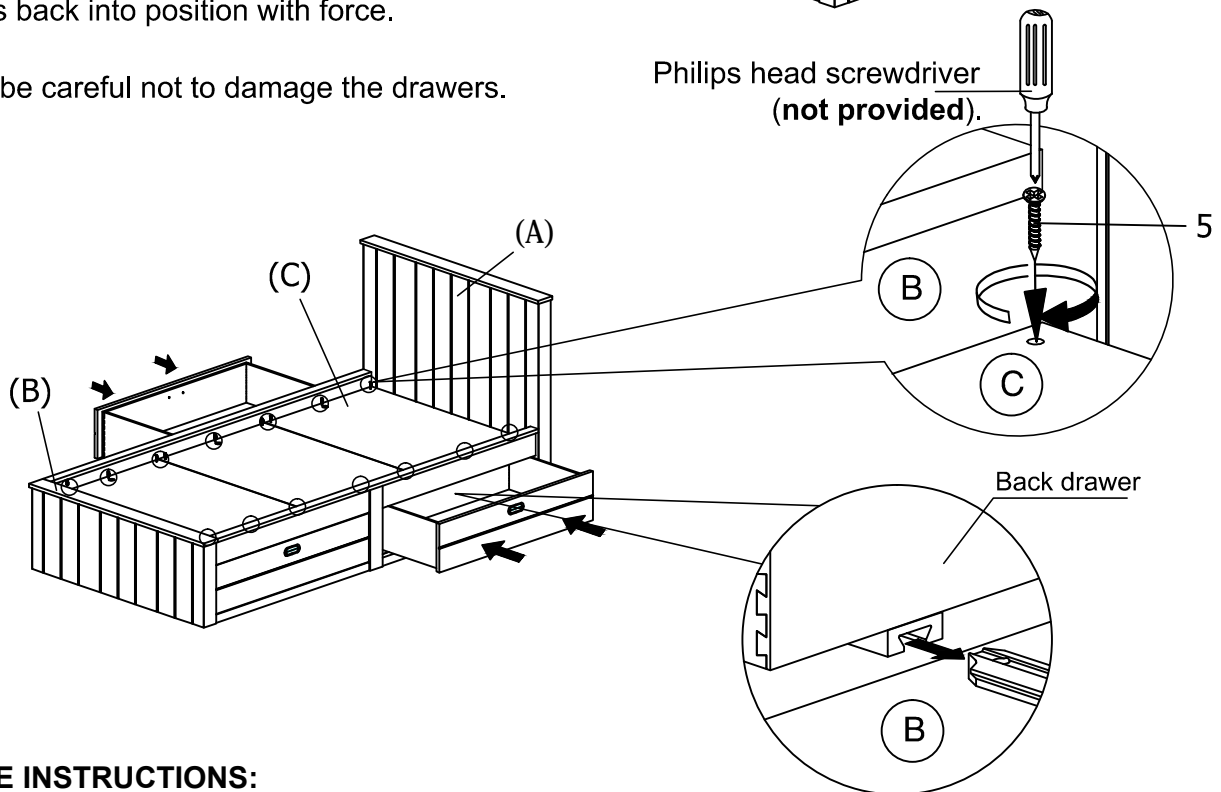


STEP 3:

Align the platform panels on the base. Locate the drawer glides and carefully push the drawers back into position with force.

NOTE:

Please be careful not to damage the drawers.



CARE INSTRUCTIONS:

- Dust often using a clean, soft, dry lint-free cloth.
- Blot spills immediately, and wipe with a clean, damp cloth.
- We do not recommend the use of chemical cleansers, abrasives, or furniture polish on our lacquered finish.

Thank you for your purchase
www.rhbabyandchild.com