

## **HAVEN DRESSER TOPPER**

---

**⚠ WARNING:**

FALL HAZARD - To prevent death or serious injury from falls, always keep child within arm's reach. NEVER LEAVE CHILD UNATTENDED and always use restraining system.

This changing table is intended for use with children weighing up to 30 pounds. Haven dresser topper will be used with Haven dresser (sold separately) with size 40"W x 18"D x 32"H. Cushion pad size is 32"L x 16"W x 4"H.

Do not use the Haven dresser or Haven dresser topper if damaged or broken.

**Customer Service-** If you are missing parts or have any questions about this product, please contact us at: 1-800-762-1751

**IMPORTANT SAFETY INSTRUCTIONS:**

Please read all instructions before use of the Dresser or Topper.  
For your safety, assembly by two or more adults is recommended.  
Keep instructions for future use.

**PRE-ASSEMBLY:**

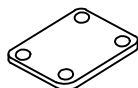
- The illustrations provided allow for easier assembly when used in conjunction with the assembly instructions.
- Remove all parts and hardware from the box and lay out on a carpeted or scratch-free work surface. The shipping box provides an ideal work surface. Do not dispose of any contents until assembly is completed to avoid accidentally discarding small parts or hardware.
- Use the parts on the hardware list to identify and separate each of the pieces included prior to starting assembly.
- Note: Do not fully tighten the screws until all parts are in place. Failure to follow these instructions may cause the screws to misalign during assembly.
- If using power tools to aid in assembly please use caution. Power tools can damage hardware or split wood.

**PARTS INCLUDED:**

A [1] Dresser Topper

**HARDWARE INCLUDED:**

B [2] Metal Brackets

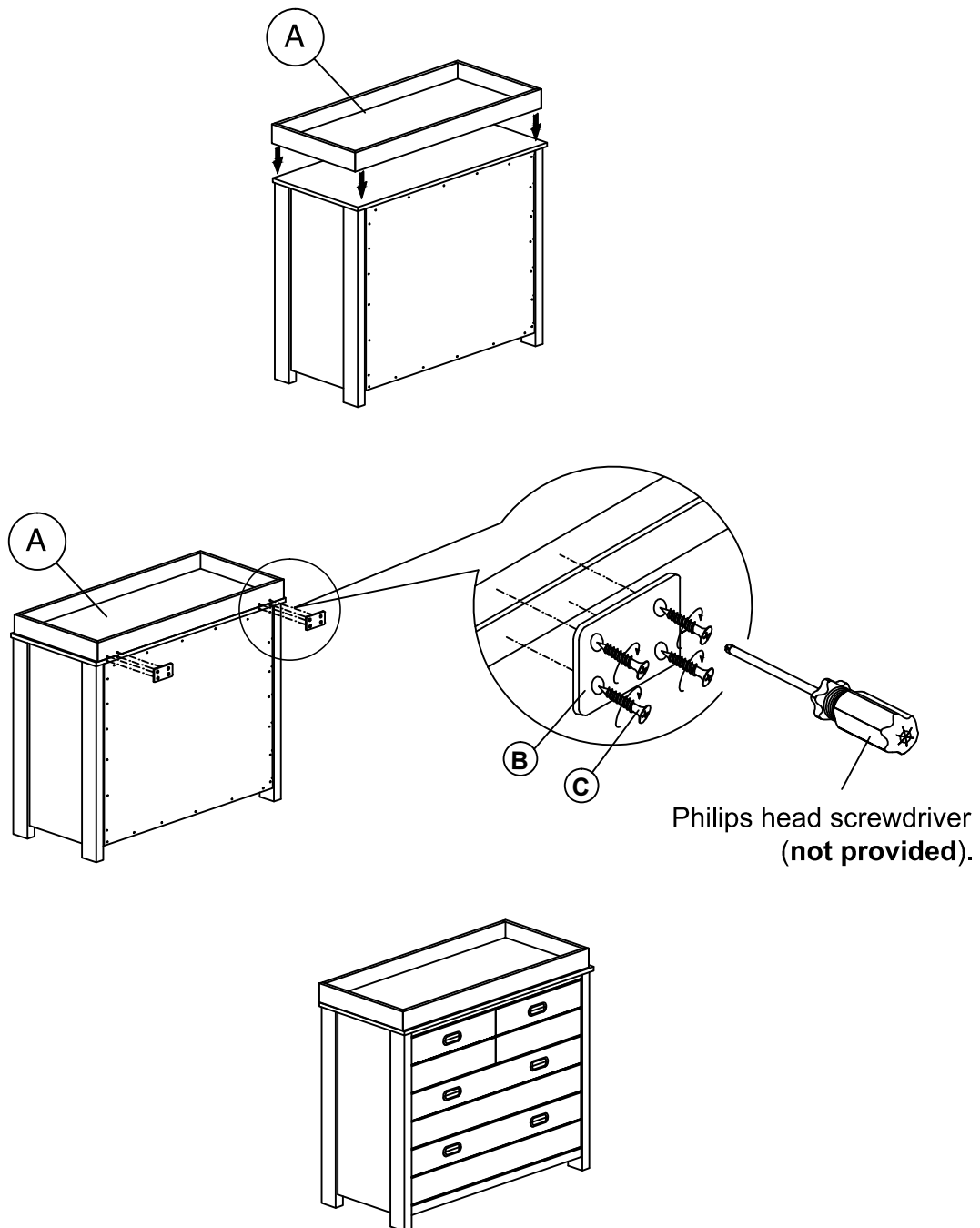


C [8] Wood Screws 7x15mm



## ASSEMBLY INSTRUCTIONS:

To connect Haven Dresser Topper (A) to Haven dresser, place (2) Metal Brackets (B) over the pre-drilled holes on back of topper and secure to dresser with [8] Wood Screws (C).



## CARE INSTRUCTIONS:

- Dust often using a clean, soft, dry lint-free cloth.
- Blot spills immediately, and wipe with a clean, damp cloth.
- We do not recommend the use of chemical cleansers, abrasives, or furniture polish on our lacquered finish.

*Thank you for your purchase*  
[www.rhbabyandchild.com](http://www.rhbabyandchild.com)