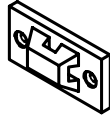


AVA WIDE DRESSER ASSEMBLY INSTRUCTIONS

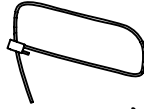
Parts Included :

Plastic mounting bracket [1]



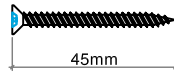
4pcs

Nylon zip tie



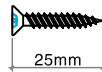
2pcs

Stud mounting screws [2]



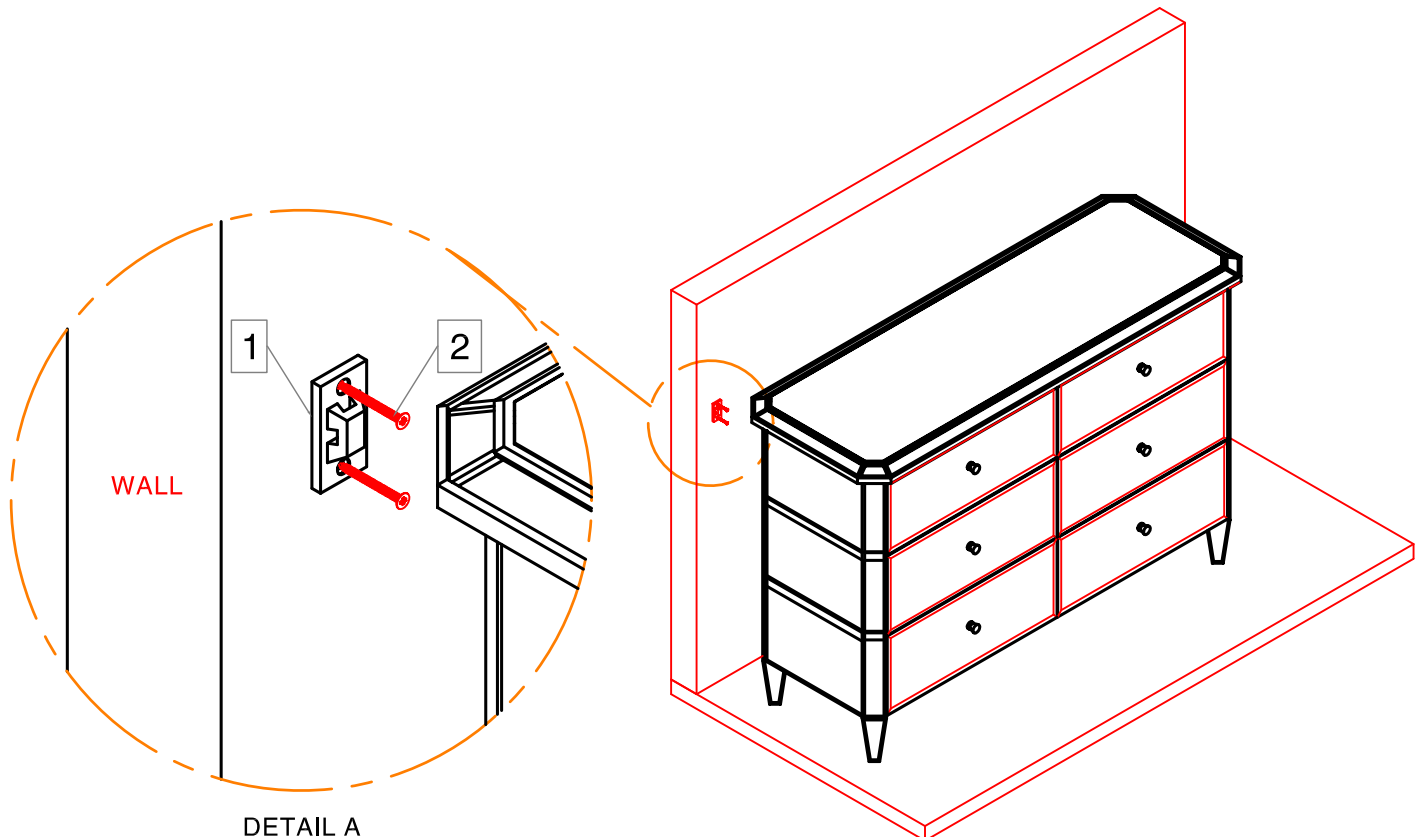
4pcs

Product side mounting screws [3]



4pcs

1. Locate a wall stud behind your furniture piece. Position a bracket on the stud approximately 1" below the top of the furniture. Mark and drill pilot hole into the center of the stud with a 3/32" drill bit. Attach a bracket to the stud with the long screws provided. (Detail A)
2. On the back of the furniture, attach a bracket to the furniture frame at the top. To do this, temporarily move the furniture into its final position and mark the location of the wall bracket on the furniture frame. Move the furniture away from the wall and place a bracket on the mark. Mark and drill holes for the screws with a 3/32" drill bit. Attach the bracket to the furniture with the short screws provided. (Detail B)
3. Move the furniture into its final position, taking care to line up the wall bracket with the furniture bracket. Thread a strap through the bracket as shown in the illustration. Tighten strap until snug. Do not over tighten. (Detail C)
4. Important: Check to be sure the wall bracket is firmly screwed into wall stud, the furniture bracket is firmly attached to the frame, and the strap is snug.



DETAIL A

