

baby&child

RESTORATION HARDWARE

Thank you for selecting Restoration Hardware Baby & Child Lighting. Our assortment is crafted with the highest quality materials that coordinate perfectly with our Baby & Child bedding collections, making it easy to create an elegant nursery or child's bedroom.

PARTS ENCLOSED:

- (A) Plastic wire connector (2)
- (B) Mounting screw (2)
- (C) Ground screw (1)
- (D) Canopy (1)
- (E) Mounting plate (1)
- (F) Plate screw (2)
- (G) Socket (1)
- (H) Bulb (1)

IMPORTANT SAFETY INSTRUCTIONS:

WE RECOMMEND INSTALLATION BY A LICENSED ELECTRICIAN.

This fixture has been rated for up to (1) 60 watt maximum TYPE A bulb. To avoid the risk of fire, do not exceed the recommended wattage.

WARNINGS:

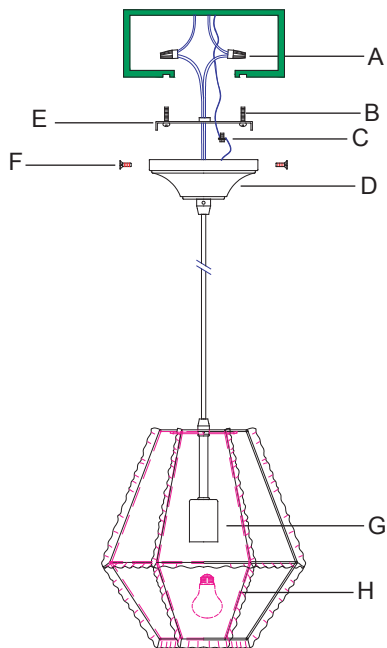
All wires are connected. When unpacking, be careful not to pull wires as a bad connection may result. Do not connect electricity until your lamp is fully assembled.

To reduce the risk of fire, electrical shock, or personal injury, always turn off and unplug lamp and allow it to cool prior to replacing light bulb. Do not touch bulb when fixture is turned on or look directly at lit bulb. Keep flammable materials away from lit bulb.

THIS IS NOT A TOY AND THE PRODUCT HAS NO PLAY VALUE.

Portico Lantern Pendant

Direct Wire Installation



TO ASSEMBLE:

1. Carefully remove all parts from the box and remove all the plastic covering.
2. Turn off power to the junction box where the lamp will be installed.
3. Screw the bulb (H) into the socket (G). (The bulb is not included.)
4. Attach the ground wire from the fixture to the ground junction box wire from the outlet box (Usually green or bare wire), or wrap the ground wire around the ground screw (C).
5. Connect the hot wire to the hot junction box wire (Usually black) with a plastic wire connector (A) and wrap the connection with electrical tape. Connect the neutral wire to the neutral junction box wire (Usually white) with a plastic wire connector (A) and wrap the connection with electrical tape.
6. Attach the mounting plate (E) to the outlet box using the mounting screws (B) and tighten.
7. Attach the canopy (D) to the mounting plate (E) using the plate screws (F) and tighten.
8. Restore power to junction box and test lamp fixture.
9. Installation is complete.

CARE INSTRUCTIONS:

To clean, use a soft cloth only. Do not use polishes or cleaners on your lamp.