

**MARIELLE ARMOIRE WITH WOOD DOORS**

**PARTS INCLUDED:**

- A [1] ARMOIRE
- B [3] ADJUSTABLE SHELVES
- C [1] DECORATIVE CARVING




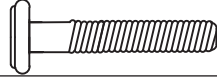
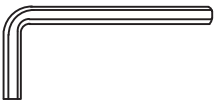





**TOOLS NEEDED:**

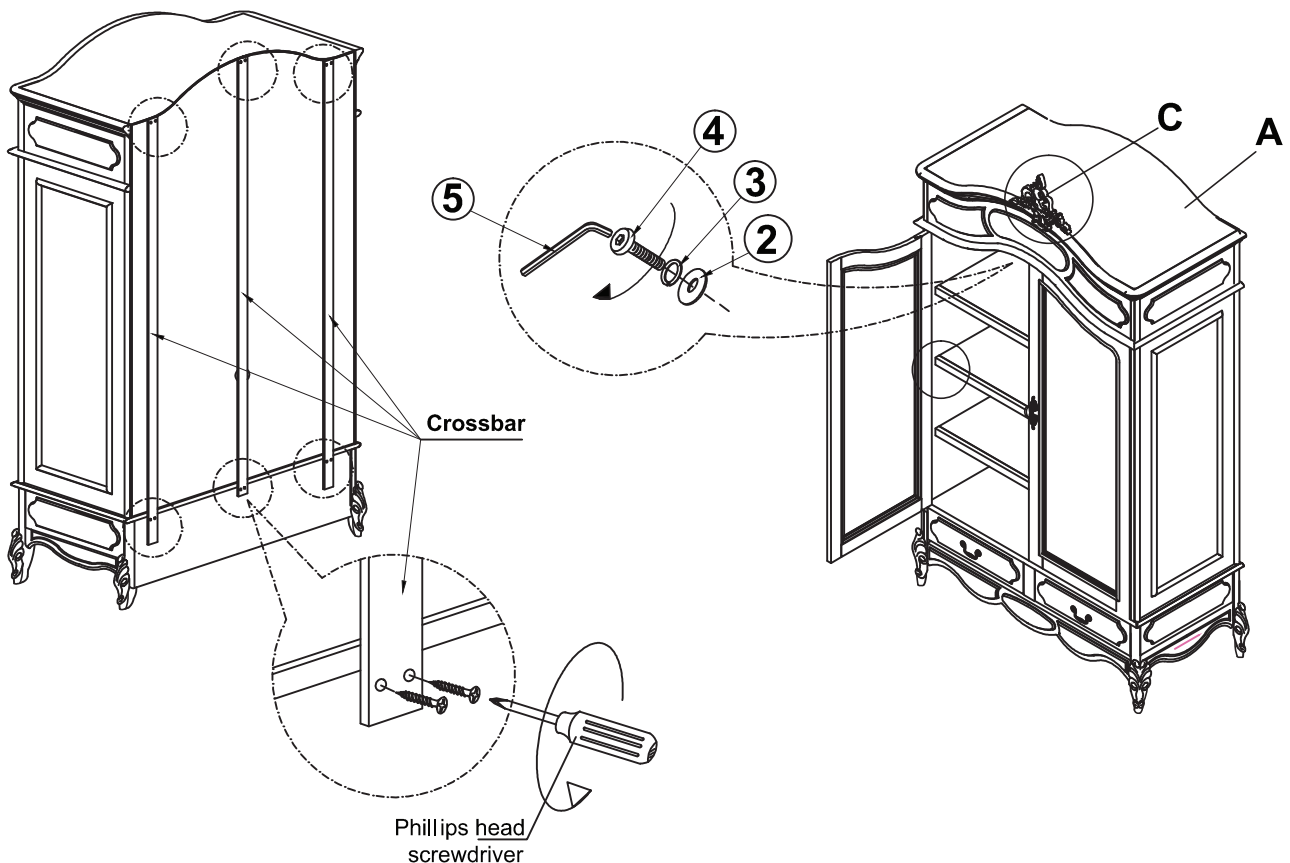
Phillips Head Screwdriver  
(Not included)



**ASSEMBLY INSTRUCTIONS:**

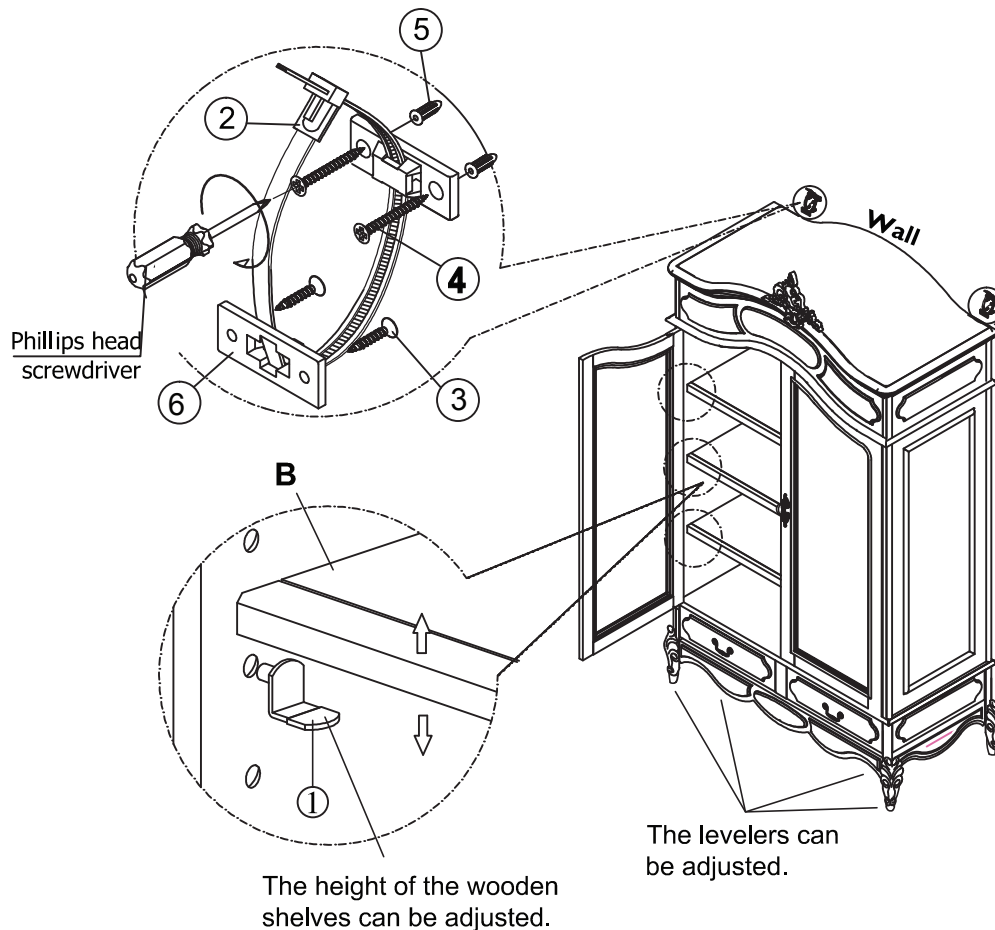
1. Remove all screws from the crossbars on back of the Armoire (A).
2. Attach the Carving (C) to front top of the Armoire (A), using Flat Washer (2), Spring Washer (3), Bolt (4) and tighten by Allen Key (5).

NO.	ITEM	DESCRIPTION	QTY.
1		Shelf Pins	12pcs.
2		Flat Washer	1pc.
3		Spring Washer	1pc.
4		Bolt 5/16" x 1-1/2"	1pc.
5		Allen Key	1pc.
6		Plastic Brackets	4pcs.
7		Restraint Straps	2pcs.
8		Phillips Screw M4x30mm	4pcs.
9		Phillips Screw M4x20mm	4pcs.
10		Plastic Anchors	4pcs.



## MARIELLE ARMOIRE WITH WOOD DOORS

3. Attach one of the mounting brackets near the top back edge of the furniture piece by inserting the shorter screws.
4. Determine the final position of the furniture piece. Mark location on the wall approximately 2" below the bracket mounted to the back of the furniture.
5. Drill a starter hole into the wall stud. If wall stud is not available, drill a hole into the wall and insert plastic anchor. Gently tap the anchor until the flange of the anchor is flush with the wall.
6. Attach the second bracket by inserting the longer screw through the bracket and into the wall.
7. Place the furniture so the bracket on the back edge is in line with the bracket in the wall.
8. Lace one end of the nylon restraint strap down through each bracket. Bring both ends together and slide the beaded end until it snap locks into the keyhole slot.
9. To double lock; return the beaded end back through the keyholes as shown.
10. Check to make sure the Restraint strap is securely laced and locked to the brackets.
11. Insert the Shelf Pins (1) into the holes in the Armoire (A). Then put the adjustable Shelves (B) onto the shelf pins as shown below.



### CARE INSTRUCTIONS:

1. Dust often using a clean, soft, dry lint-free cloth.
2. Blot spills immediately, and wipe with a clean, damp cloth.
3. We do not recommend the use of chemical cleansers, abrasives, or furniture polish on our lacquered finish.