

baby&child

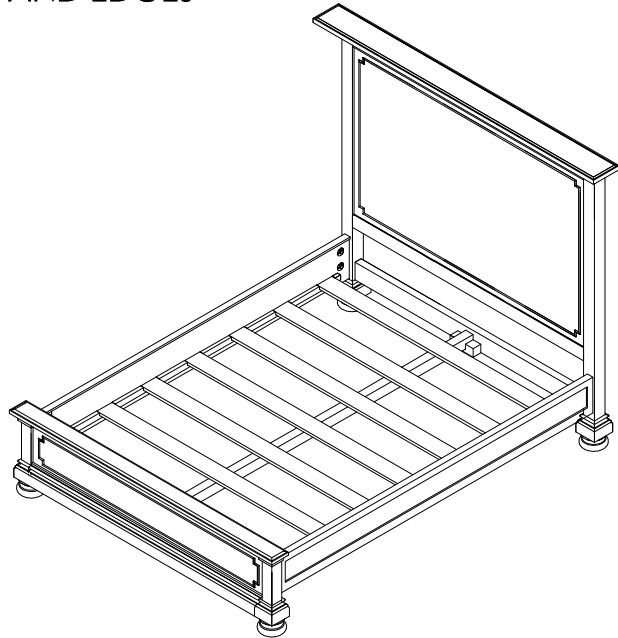
RESTORATION HARDWARE

J A M E S O N T W I N / F U L L B E D

 **WARNING:** ADULT ASSEMBLY ONLY OWING TO THE PRESENCE OF SMALL PARTS, SHARP POINTS AND EDGES

PART LIST

- A HEADBOARD
- B SIDE RAILS
- C FOOTBOARD
- D SET OF BED SLATS
- E SUPPORT SLAT








IMPORTANT

These bed parts can be cumbersome and heavy to some people, therefore the assistance of two or more people is recommended in order to prevent personal injury and ensure the bed parts are not damaged during the assembly process.

TOOLS NEEDED

- WRENCH

HARDWARE LIST

NO.		Description	Qty.
1		Threaded rod	8Pcs
2		Curved washer	8Pcs
3		Lock washer	8Pcs
4		Hex nut	8Pcs
5		Wrench	1Pc

Customer Service - If you are missing parts or have any question about this product please contact us at 1-800-762-1751

FIGURE 01

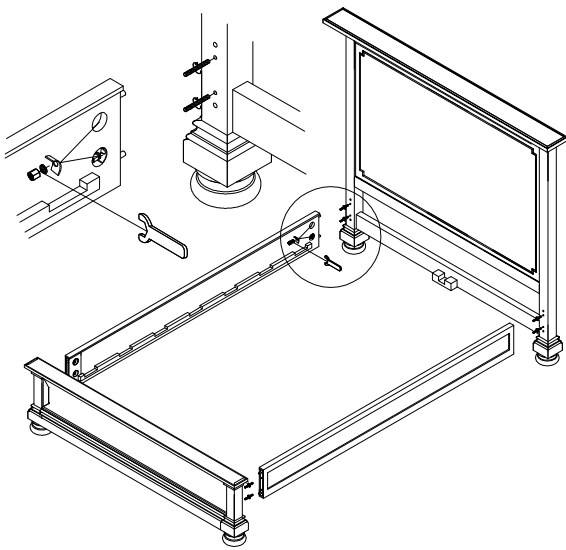


FIGURE 02

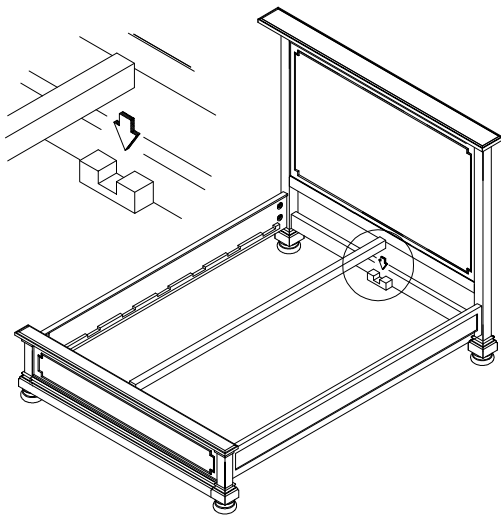
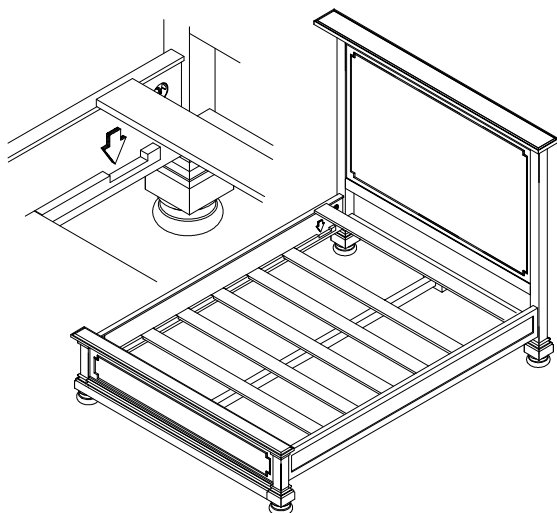


FIGURE 03



ASSEMBLY INSTRUCTIONS:

Thank you for choosing this quality product. Be sure to check all packaging materials carefully for small parts that may have become loose during shipment and place all parts on a non-abrasive surface.

STEP #1:

Place the headboard (A) upright in the position you wish the bed to be in when fully assembled. The headboard bed fast hardware should be facing the inside, toward the mattress. Secure the threaded rod (1) to the fixed nut in the headboard (A) by simply turning it manually. Raise the side rail (B) up and place the rod (1) to align with the bore holes on the end of the side rails (B). Put the side rails (B) up against the headboard (A) so the threaded rods go through the bore holes. Insert curved washer (2) and lock washer (3), place hex nuts (4) on threaded rod (1) and tighten hex nuts (4) with wrench (5), as illustrated in **FIGURE 01**.

STEP #2:

Repeat the above procedure with the other side rail (B) to attach it to the headboard (A), and then repeat to connect side rails (B) to the footboard (C).

STEP #3:

On inside of both headboard (A) and footboard (C) are pre-installed wooden brackets for the support slat (E). Set the center support slat (E) on the wood bracket, as illustrated in **FIGURE 02**.

STEP #4:

On inside surface of both side rails (B) are cavities designed to hold the individual bed slats (E). Set individual bed slats (E) on both sides of the side rails (B) as illustrated in **FIGURE 03**.

Thank you for your purchase
www.rhbabyandchild.com