

INDUSTRIAL PIPE DOUBLE DESK & SHELVING



WARNING: ADULT ASSEMBLY ONLY OWING TO THE PRESENCE OF SMALL PARTS, SHARP POINTS AND EDGES

Customer Service – If you are missing parts or have any questions about this product please contact us at: 1-800-762-1751

IMPORTANT SAFETY INSTRUCTIONS:

- For your safety, it is recommended that two people assemble the unit.
- These instructions are provided for your safety. It is important that they are read carefully and completely before installation of the fixture.

WARNING:

- Young children may be injured by tipping furniture and proper installation of the mounting hardware for this item is highly recommended. When properly installed, this mounting hardware could provide protection against the unexpected tipping of this furniture piece.

CARE INSTRUCTIONS:

- To clean, wipe with a soft dry cloth.
- Avoid use of harsh chemicals or abrasive cleaners as they may damage the finishes.

TOOLS NEEDED

- Phillip head screwdriver (not included)

HARDWARE LIST



1) Phillip Screws (16 pcs)

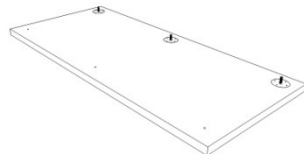


2) Plastic Anchors (16 pcs)

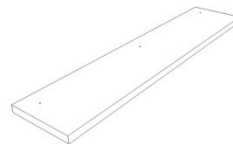
PARTS ENCLOSED



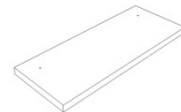
(A) BENT PIPE (4 pcs)



(B) TABLE TOP (1 pc)



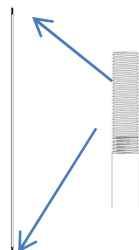
(C) LONG SHELF (2 pcs)



(D) SHORT SHELF (1 pc)



(F) BOTTOM LEG (8 pcs)



(E) SOLID ROD WITH
THREADS ON BOTH END
(4 pcs)

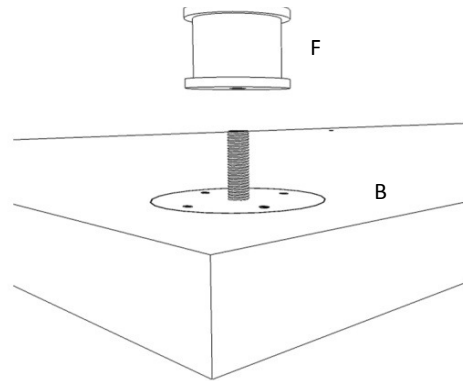
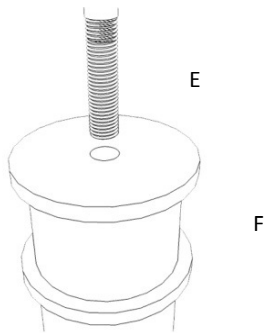
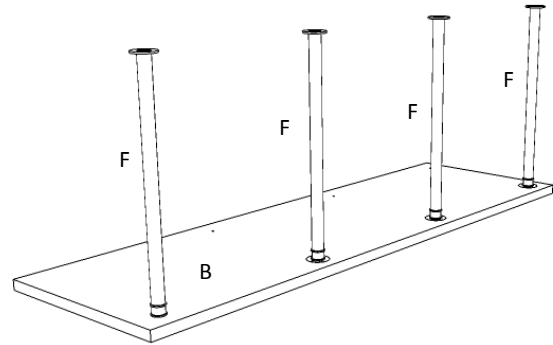
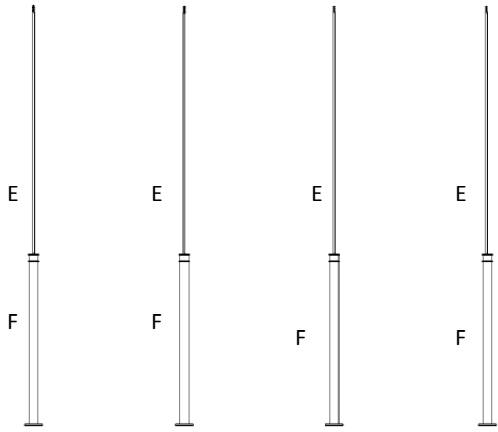


(G) LONG PIPE (2 pcs)

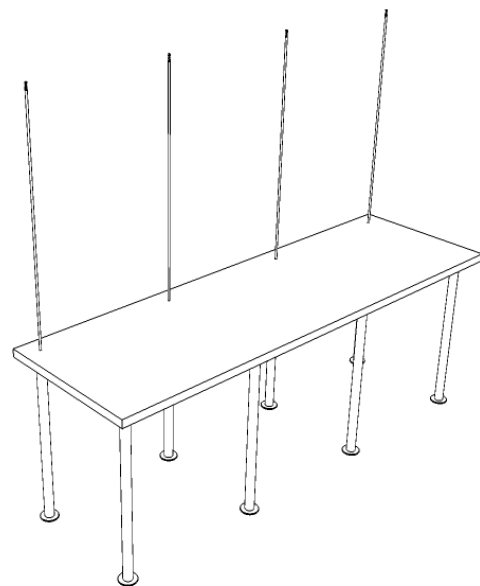
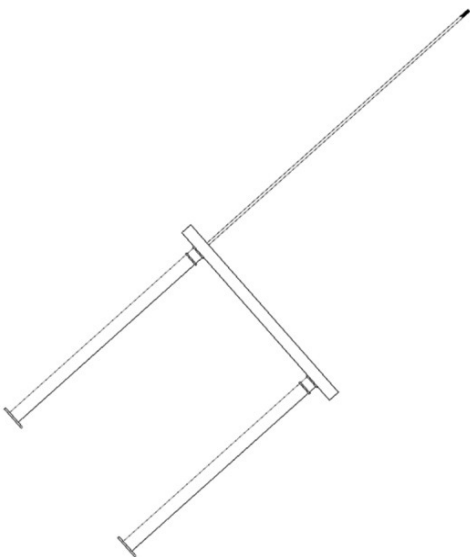


(H) SMALL PIPE (8 pcs)

INDUSTRIAL PIPE DOUBLE DESK & SHELVING

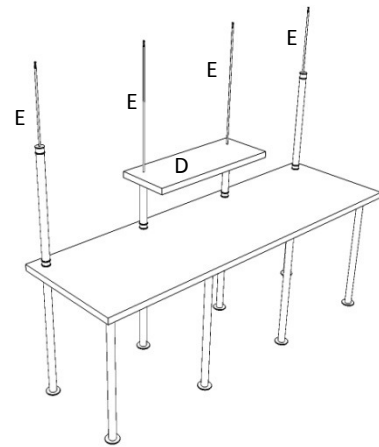
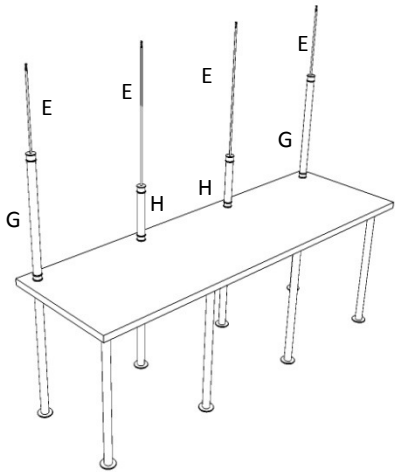


STEP 1 – Attach Bottom Leg (F) to Solid Rod (E) to make the support rod. Attach remaining 4 pcs of Bottom Leg (F) to Table Top (B) as Shown Above.



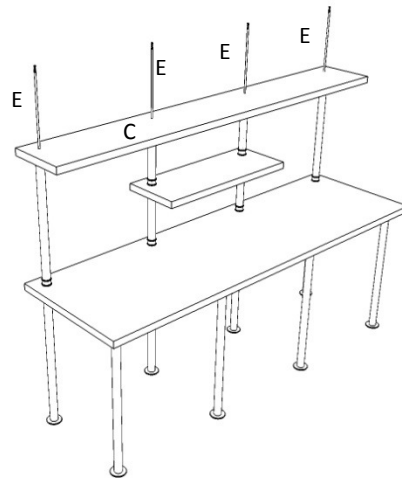
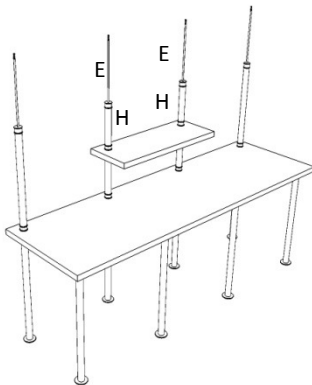
STEP 2 - Insert combined Bottom Leg (F) & Solid Rod (E) pieces through Table Top (B) in predrilled locations. Base structure will be ready as shown above.

INDUSTRIAL PIPE DOUBLE DESK & SHELVING



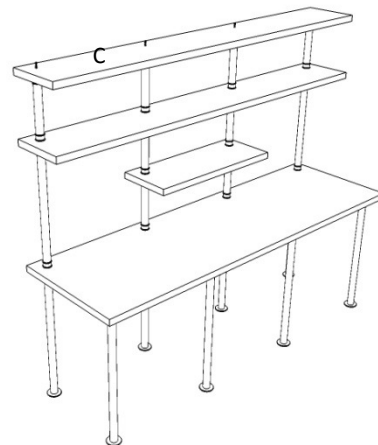
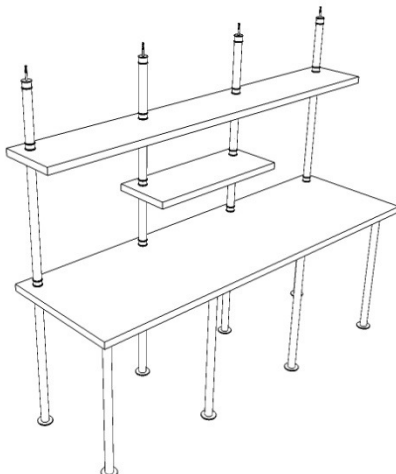
STEP 3- Insert the Long Pipe (G) & Small Pipe (H) onto the Solid Rods (E) as shown above. (Please note, Short Shelf may be installed on left or right side as well. If you wish to install on left, place (G) onto the first two Solid Rod from Right end and (H) onto the remaining two Solid Rods, or reverse to install on right side).

STEP 4 - Insert the Short shelf (D) onto Solid Rod (E) as shown above.



STEP 5 - Insert the second set of Small Pipes (H) onto the Solid Rods (E) above Short Shelf.

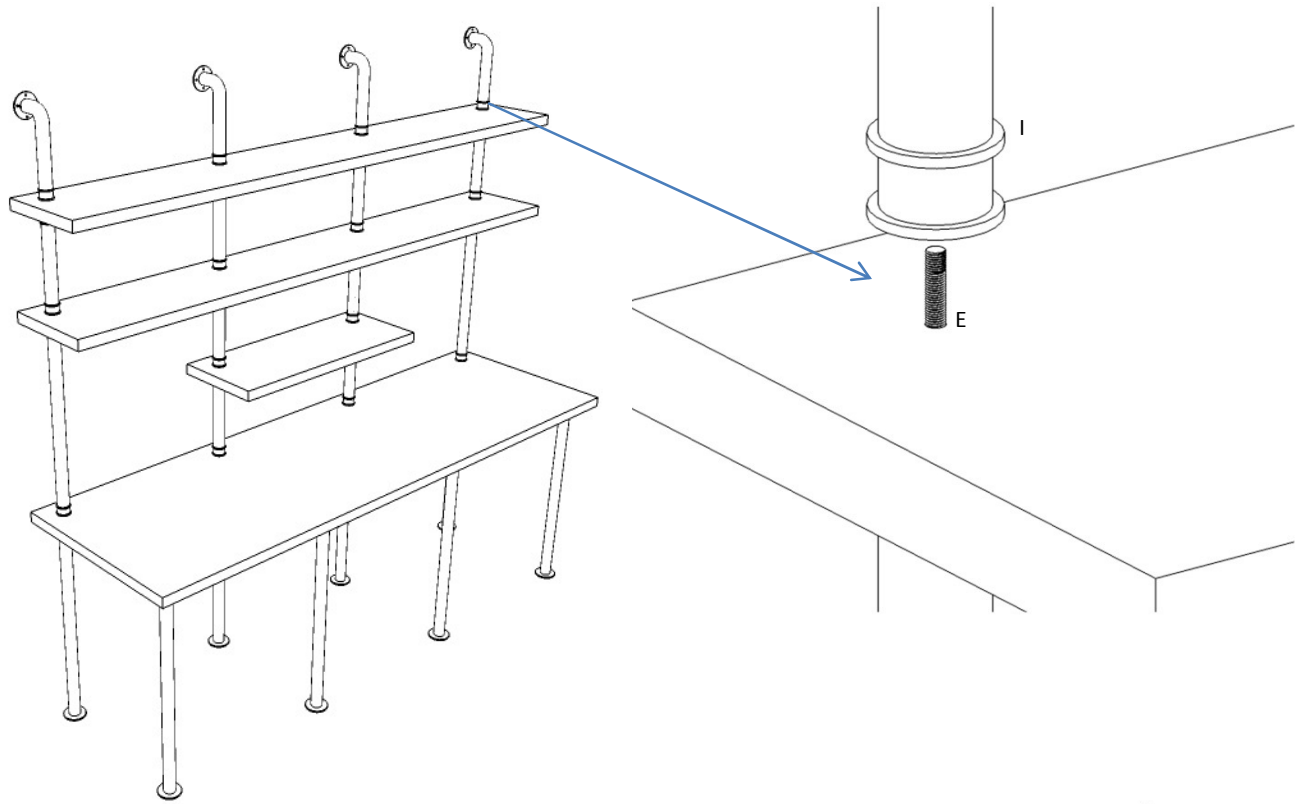
STEP 6 - Insert a Long Shelf (C) onto the Solid Rod (E) as shown above.



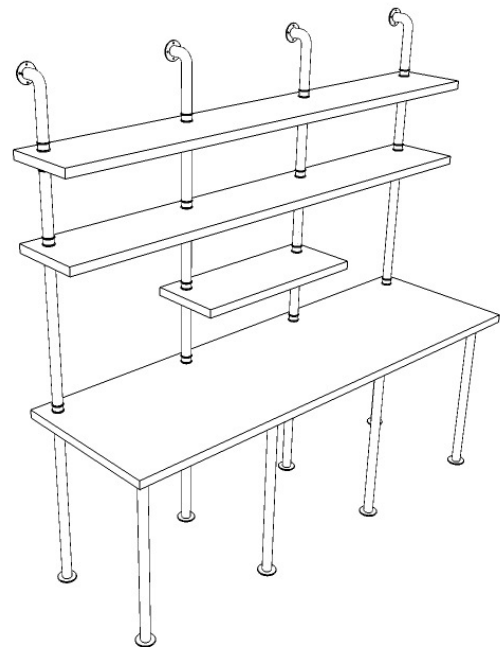
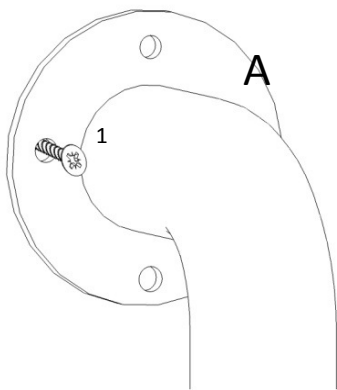
STEP 7 - Insert 4 Small Pipes (H) onto the Solid Rods (E) as shown above

STEP 8 - Insert a Long Shelf (C) onto the Solid Rod (E) as shown above.

INDUSTRIAL PIPE DOUBLE DESK & SHELVING



STEP 9 - Attach the Bent Pipe (I) to Solid Rods (E).



To complete the installation fix the unit to wall with the screws (1) and Plastic Anchors in the predrilled holes in Bent Pipe (A) as shown above.

Thank you for your purchase.
www.rhbabyandchild.com