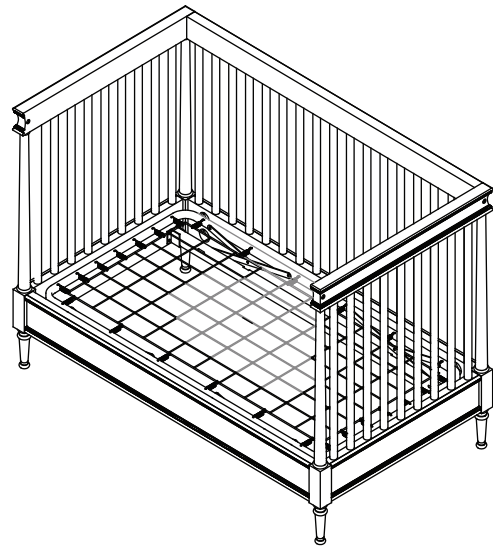


All Restoration Hardware cribs are designed to meet the highest safety standards and comply with all U.S. and Canadian cribs and cradles regulations.

Made in Viet Nam
Distributed in the U.S.A. by:
Restoration Hardware Baby & Child
11640 Harrel St. Suite B
Mira Loma, CA 91752
www.rhbabyandchild.com

Distributed in Canada by:
Restoration Hardware Canada, Inc.
1500-1055 West Georgia Street
Vancouver, British Columbia V6E4N7

Model No. 105196
"AIRIN SPINDLE CRIB TODDLER
CONVERSION KIT"



WARNING: Read all instructions before assembling this product. **KEEP INSTRUCTIONS FOR FUTURE USE.**

CUSTOMER SERVICE

If you are missing parts or have any questions about this product, contact us first. You can also order parts by writing to the address above. Include the product model number, color, and a brief description of the part. Call 1-800-762-1751.

CARE AND CLEANING

DO NOT scratch or chip the finish. **DO NOT** use abrasive chemicals for cleaning. Dust often using a clean, soft, dry cloth. Blot spills immediately and wipe with a clean damp cloth. If the crib is to be stored, store in a cool dry place and carefully package all original hardware to protect from loss.

TOOLS AND INSTALLATION

Tools Necessary: Allen Key (included)

NOTE: It may be easier to assemble product with two people.

NOTE: When inserting bolts, turn clockwise until tight. Then loosen $\frac{1}{2}$ - $\frac{3}{4}$ of a turn. After crib is completely assembled, return to each bolt and tighten. Use wax or soap on all bolts to facilitate assembly

IMPORTANT SAFETY INFORMATION FOR TODDLER & DAY BEDS



WARNING: ENTRAPMENT / STRANGULATION HAZARD

Infants have died in toddler beds from entrapment and strangulation. Failure to follow these warnings and the assembly instructions could result in serious injury or death.

NEVER use bed with children under 15 months.

NEVER place bed near windows where cords from blinds or drapes may strangle a child.

- The mattress intended for use on the bed shall be a full-size crib mattress having minimum dimensions of 51-5/8 inches (1310mm) in length, 27-1/4 inches (690mm) in width and 4 inches (100 mm) in thickness, not exceeding 6 inches (152 mm) in thickness.
- If guardrails are used as the mattress containment means, guardrail(s) provided must be used to avoid the formation of a gap between the mattress and the bed that could cause an entrapment.
- **DO NOT** place bed near windows where cords from blinds or drapes may strangle a child.
- **DO NOT** place items with a string, cord, or ribbon around a child's neck, such as hood strings or pacifier cords.
- **DO NOT** suspend strings over a toddler bed for any pacifier cords.
- A child using the toddler or day bed shall be at least 15 months of age and shall not weigh more than 50lbs (22.7kgs).

AIRIN SPINDLE TODDLER BED CONVERSION KIT

⚠ WARNING: ADULT ASSEMBLY ONLY OWING TO THE PRESENCE OF SMALL PARTS, SHARP POINTS AND EDGES.

CAUTION

TODDLER BED: THE MINIMUM AGE SHALL NOT BE LESS THAN 15 MONTHS AND THE MAXIMUM WEIGHT SHALL NOT BE GREATER THAN 50LBS. (22.7 KG).

THE MATTRESS INTENDED FOR USE ON THE BED SHALL BE A FULL-SIZE CRIB MATTRESS HAVING MINIMUM DIMENSIONS OF 51-5/8 IN. (1310MM) IN LENGTH, 27-1/4 IN(690MM)IN WIDTH AND 4 IN. (100MM) IN THICKNESS NOT EXCEEDING 6 IN. (152MM) IN THICKNESS.

CARE INSTRUCTIONS:

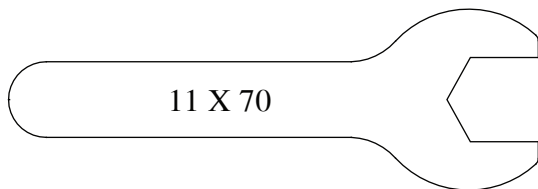
- Dust often using a clean, soft, dry, lint- free cloth.
- Blot spills immediately, and wipe with a clean, damp cloth.
- We do not recommend the use of chemical cleaners, abrasive, or furniture polish on our lacquered finish.

PART LIST

- A. [2] AIRIN END PANELS
- B. [1] AIRIN SPINDLE CRIB TODDLER CONVERSION KIT
- C. [2] AIRIN STATIONARY SIDE RAILS
- D. [2] MATTRESS SUPPORT

TODDLER CONVERSION KIT
ASSEMBLY HARDWARE ARE
INCLUDED IN THE TODDLER
KIT BOX.

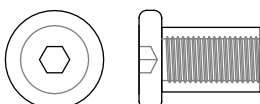
OPEN WRENCH (1 PIECE)



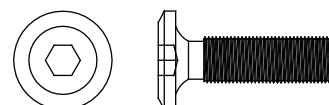
ALLEN WRENCH (2 PIECES)



(E) CONNECTOR NUTS (x2 PIECES)



(F) CONNECTOR BOLT (x2 PIECES)



ASSEMBLY INSTRUCTIONS

STEP #1.

END RAIL PANEL AND GUARD RAIL PANEL DISASSEMBLY.

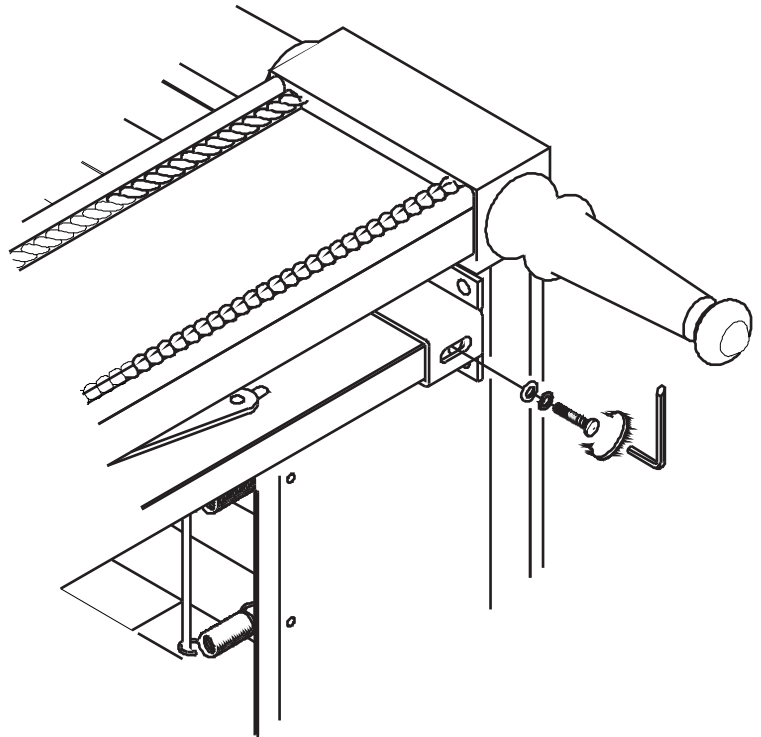
STEP #1.1

Gently tilt the crib and release the bolts underneath the metal brackets holding the stabilizer rails as in DETAIL A.

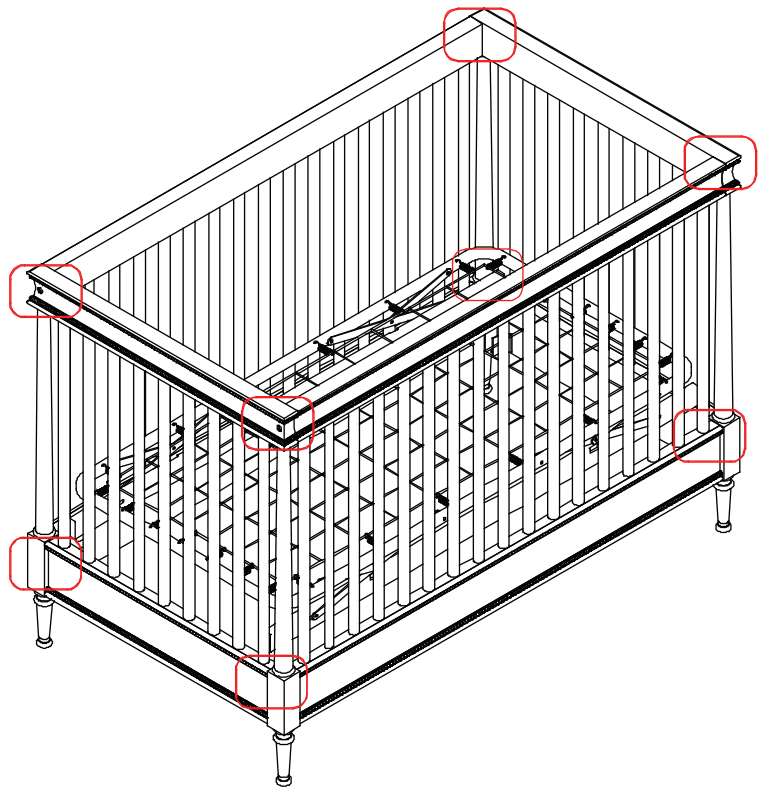
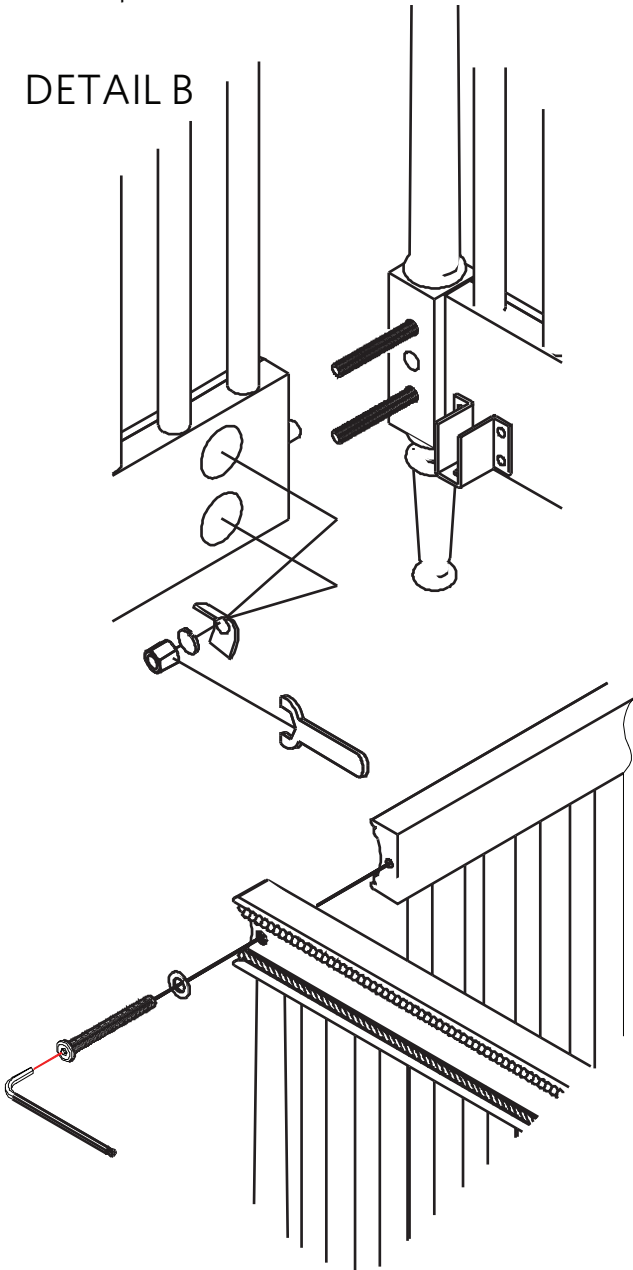
NOTE

- When converting to toddler bed, loosen all the bolts and nuts that connect the End Panel and Stationary Side Rail. Please see DETAIL B
- If mattress support is not in the lowest position, unscrew mattress support bolts and move to the lowest position.

DETAIL A



DETAIL B



STEP #2.

TODDLER RAIL ASSEMBLY.

NOTE:

On inside lower faces of both End Panels are holes with pre-installed nuts for the wooden dowels to pass through which correspond with pre-installed wooden dowel on the Stationary Side Rails.

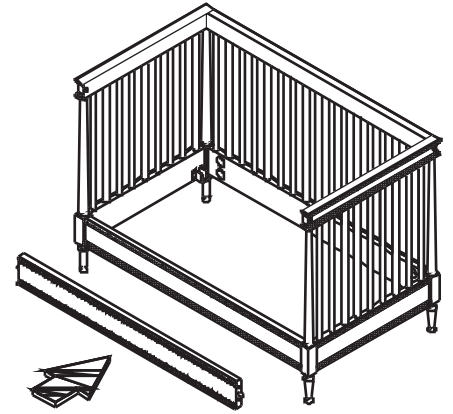
STEP 2.1

Fasten the threaded rod through pre-installed nuts on both End Panels. Bring the Stationary Side Rail up to the End Panel and insert the threaded rods through the holes. Once are set then insert curved washers and lock washers and fasten these with hexagonal nuts provided . Please see DETAIL D.

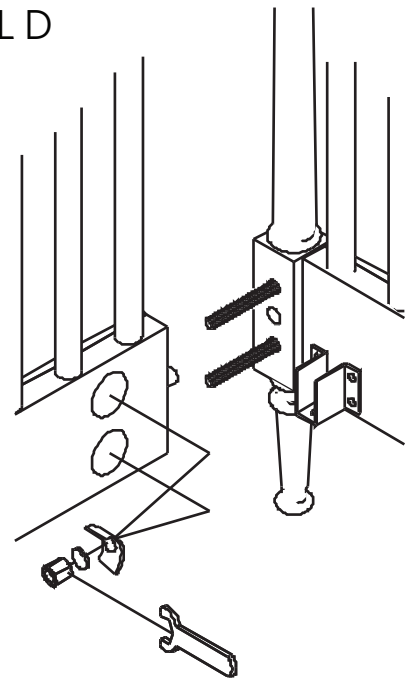
NOTE:

Fill the holes on both End Rail Panel with bolts (E&F) provided as in DETAIL E.

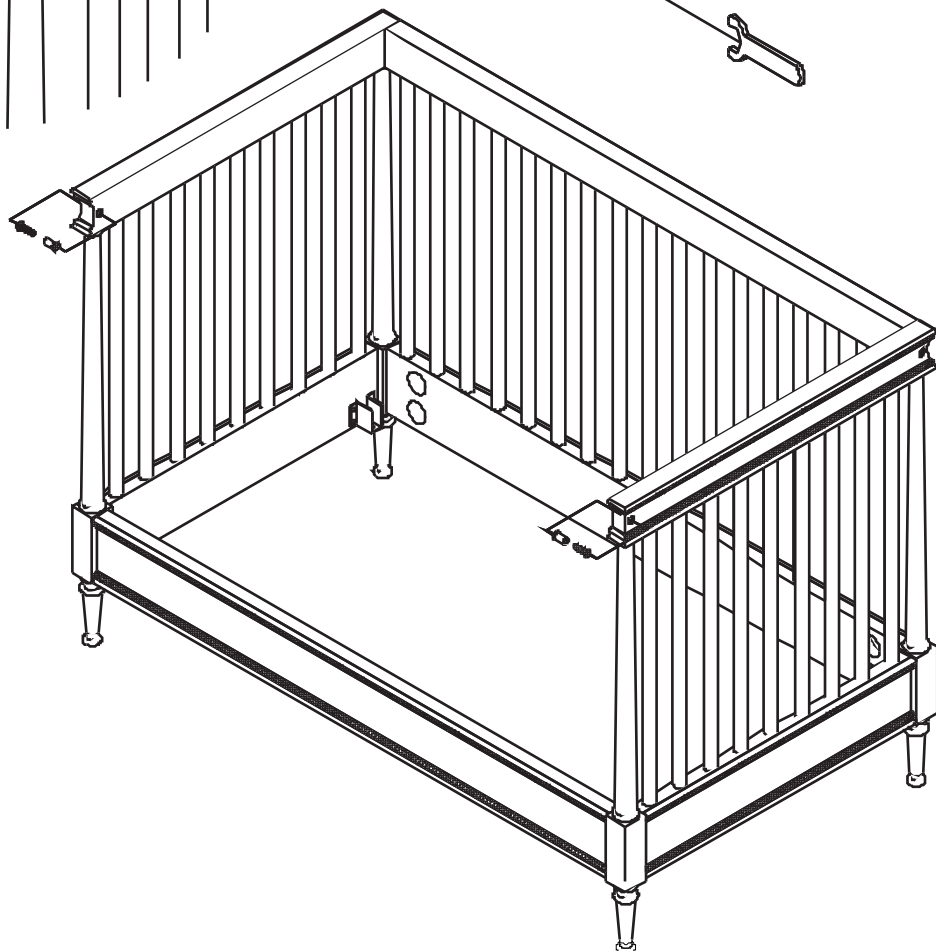
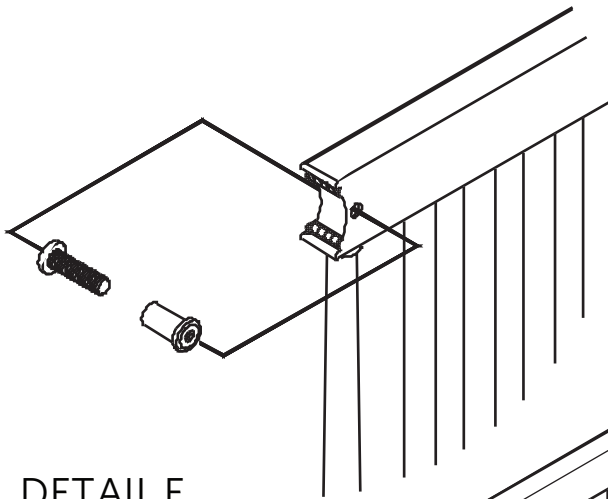
DETAIL C



DETAIL D



DETAIL E



STEP #3

MATTRESS SUPPORT HEIGHT ADJUSTMENT

NOTE: If mattress supports is not in the lowest position, lower it using steps below.

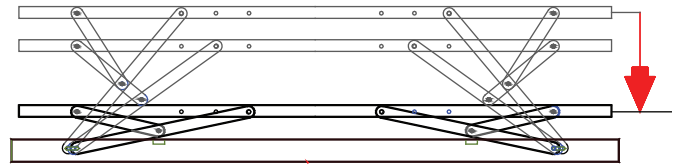
STEP #3.1

Loosen and remove all hardware (F) on both sides of the frame of mattress support.

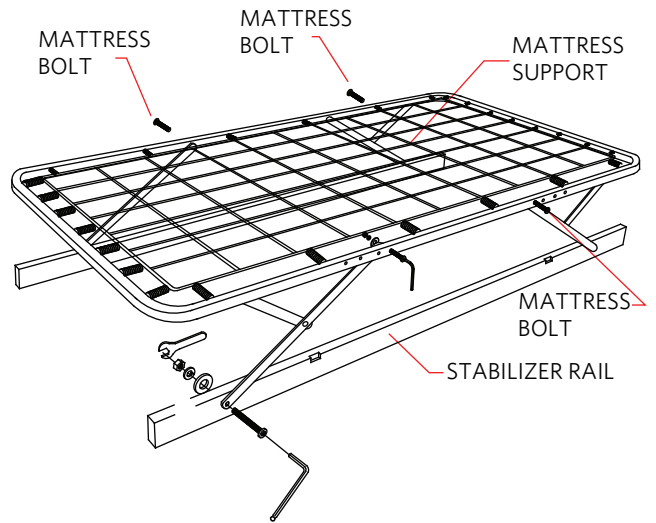
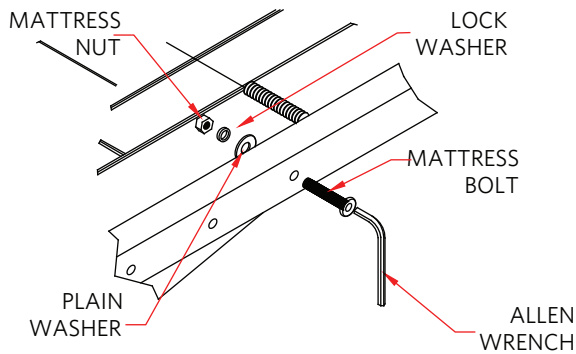
STEP #3.2

Re-install the bolt on the third hole of the frame through the hole on the arm support. Fasten the bolt with plain washers, lock washers & hexagonal nut. Repeat procedure on the other arms of the mattress support. Please see DETAIL F & DETAIL G

DETAIL F

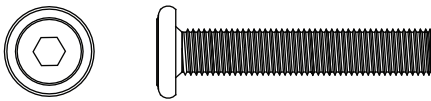


DETAIL G



HARDWARE

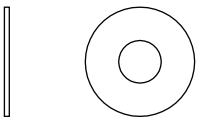
(D) 1/4" Ø X 1-3/8" MATTRESS BOLT (x8 PIECES)



(D) MATTRESS NUT (x8 PIECES)



(D) PLAIN WASHER (x8 PIECES)



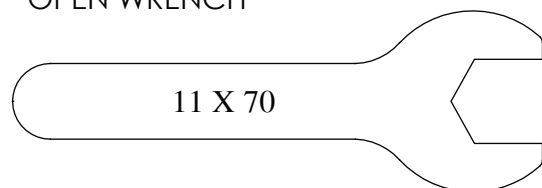
(D) LOCK WASHER (x8 PIECES)



ALLEN WRENCH



OPEN WRENCH



STEP #4

INSTALLATIONS OF STABILIZER RAILS INTO THE END RAIL PANEL.

STEP #4.1

On inside face of both End Rail Panel are pre-installed metal brackets, designed to hold the stabilizer rails. Set both ends of the stabilizer rails into brackets as illustrated in DETAIL H.

STEP #4.2

Once the stabilizer rails are set, gently tilt the crib and fasten the stabilizer rails with bolt together with plain washer and lock washer provided.

NOTE

After assembly, re-tighten all bolts to a snug fit.

DETAIL H

