

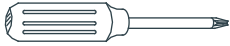
RHBABY&CHILD

CALLUM PLATFORM CANOPY QUEEN BED

PARTS INCLUDED:

- A [2] HEADBOARD/ FOOTBOARD PANEL
- B [4] CANOPY POSTS
- C [2] SIDE RAILS
- D [1] SLAT ROLL
- E [2] SHORT CANOPY RAILS
- F [2] LONG CANOPY RAILS
- G [3] SUPPORT LEGS

TOOLS NEEDED:



Phillips-Head Screwdriver (not included)

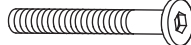





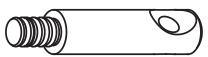



ASSEMBLY INSTRUCTIONS:

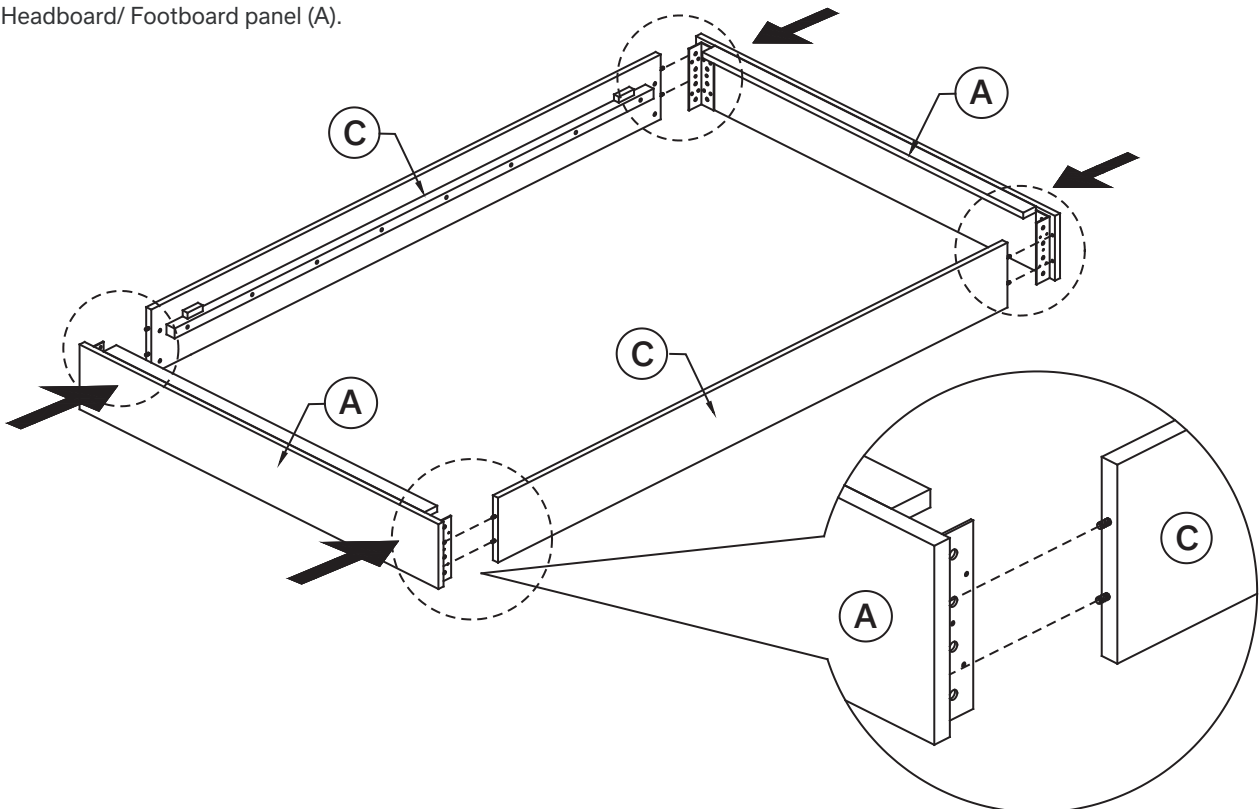
Note:

Two adults are recommended to assemble this bed.

STEP 1:

Attach the Side Rails (C) to the Headboard/ Footboard panel (A).

NO.	ITEM	DESCRIPTION	QTY.
1		Long Bolt 5/16" x 2-1/4"	20 pcs.
2		Flat Washer 5/16"	20 pcs.
3		Spring Washer 5/16"	20 pcs.
4		Wood Screw 8 x 30mm	28 pcs.
5		Wood Screws 8 x 15mm	20 pcs.
6		Allen Key 4mm	1 pc.
7		Connecting Bolt	4 pcs.
8		Assembling Insert	4 pcs.
9		Camlock Wheel	4 pcs.
10		Allen Key 5mm	1 pc.

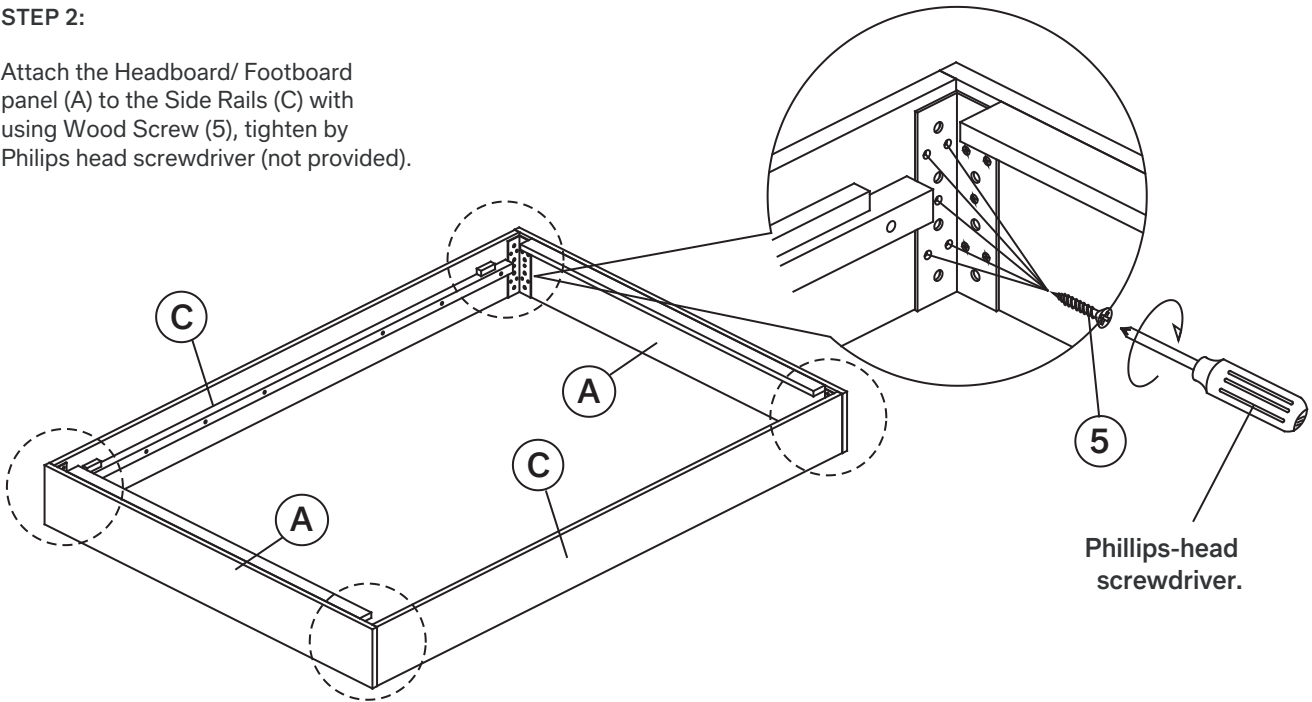


RHBABY&CHILD

CALLUM PLATFORM CANOPY QUEEN BED

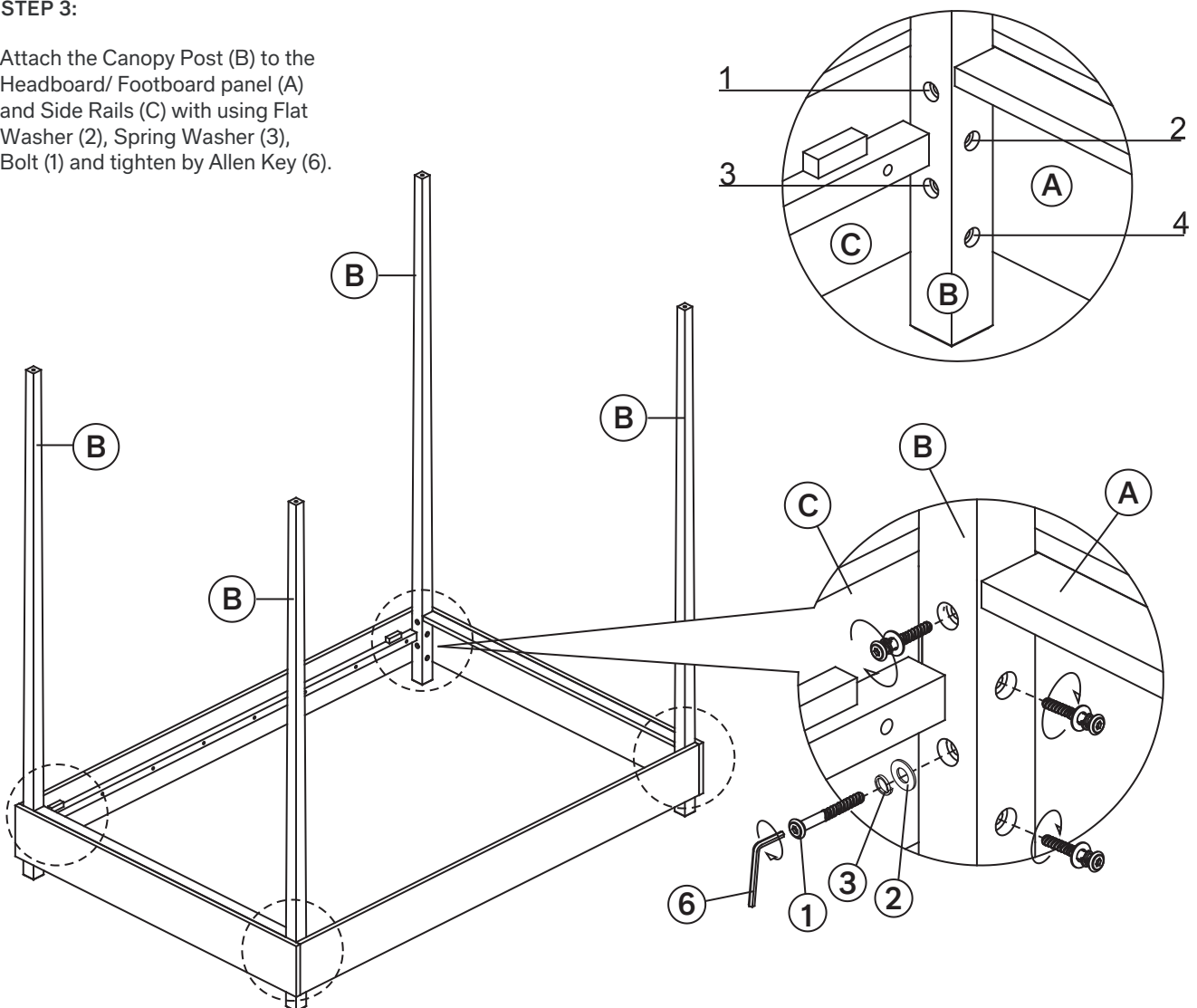
STEP 2:

Attach the Headboard/ Footboard panel (A) to the Side Rails (C) with using Wood Screw (5), tighten by Philips head screwdriver (not provided).



STEP 3:

Attach the Canopy Post (B) to the Headboard/ Footboard panel (A) and Side Rails (C) with using Flat Washer (2), Spring Washer (3), Bolt (1) and tighten by Allen Key (6).

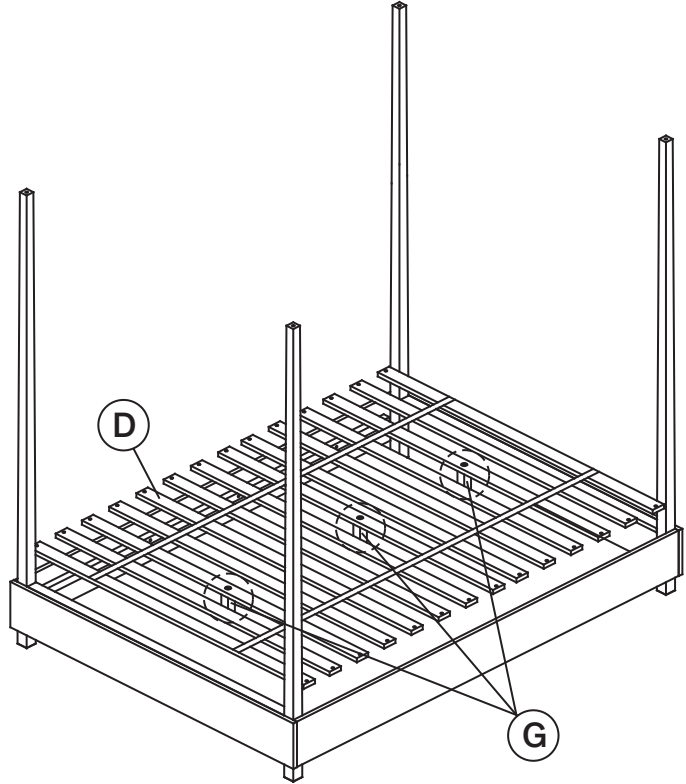
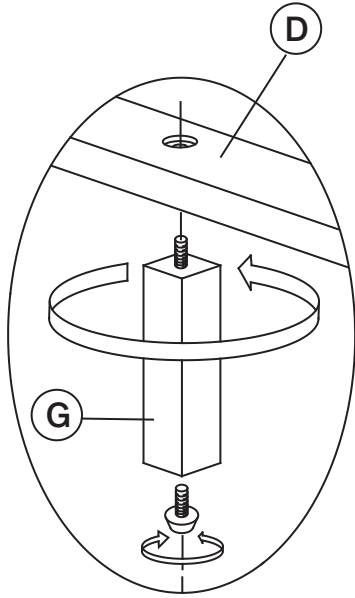


RHBABY&CHILD

CALLUM PLATFORM CANOPY QUEEN BED

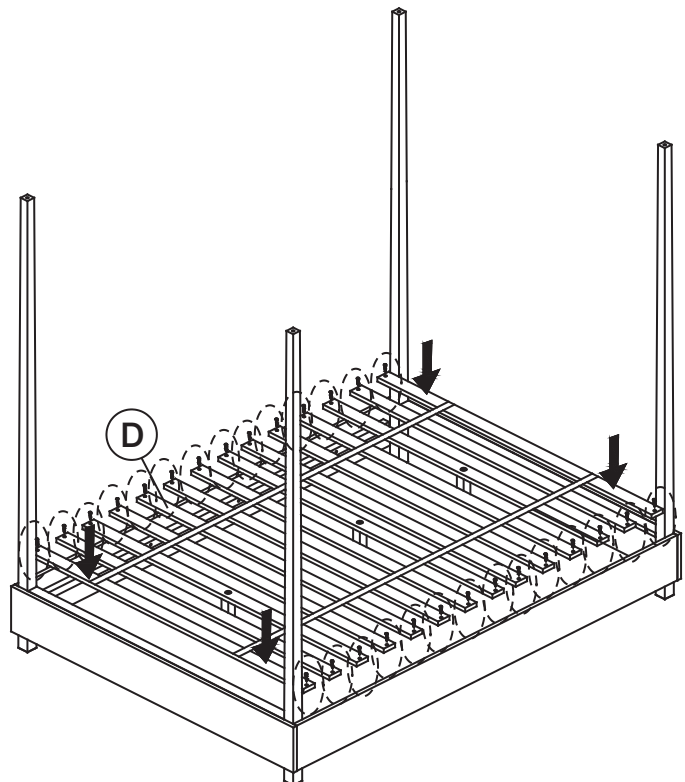
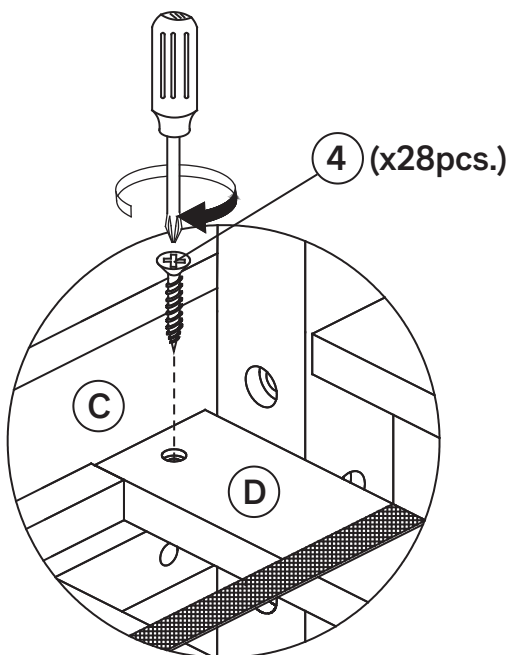
STEP 4:

Tighten the Support Legs (G) to the Slat Roll (D).



STEP 5:

Lay the Slat Roll (D) in between the Side Rails (C) and use Wood Screws (4) to fasten 2 end slats to the side rails with a screwdriver.

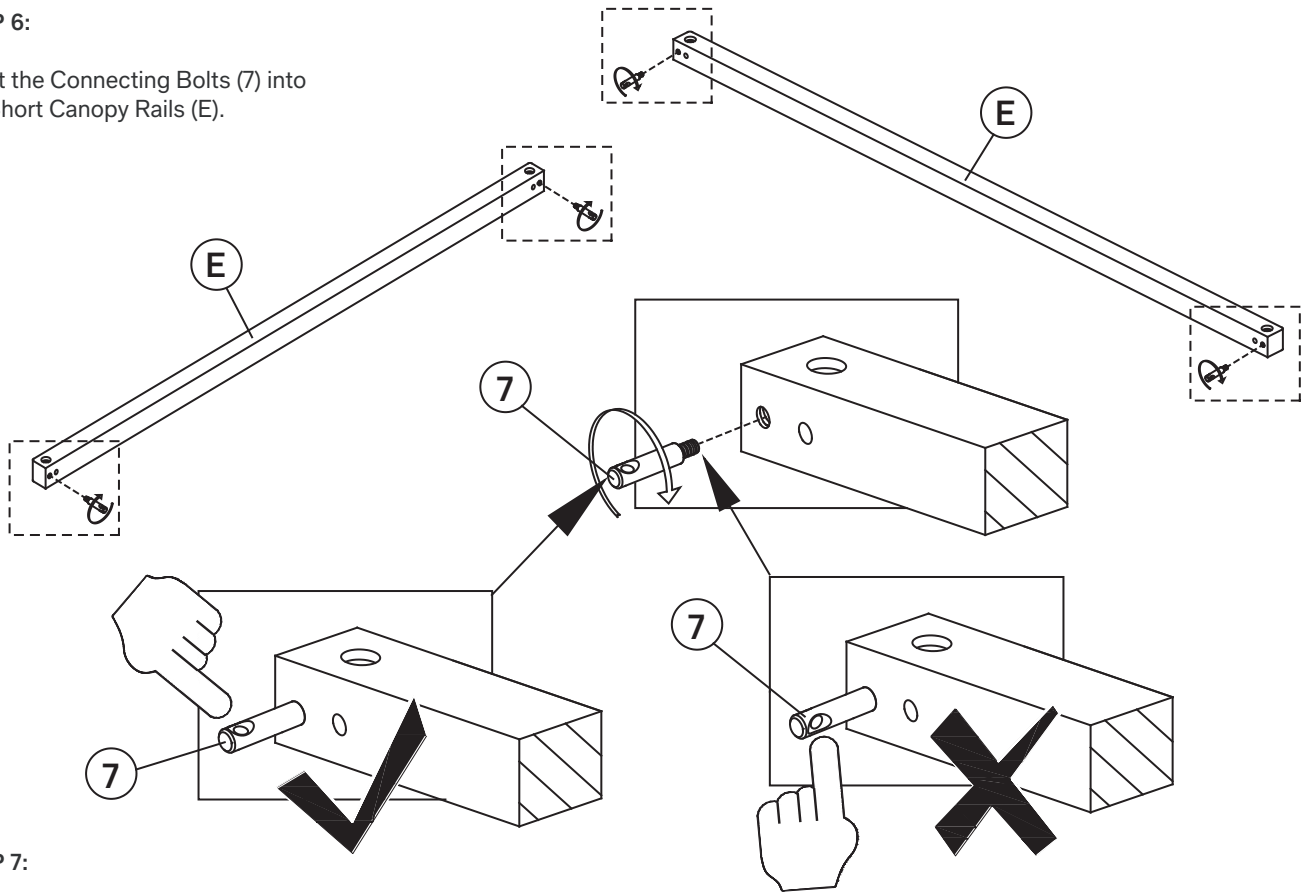


RH BABY & CHILD

CALLUM PLATFORM CANOPY QUEEN BED

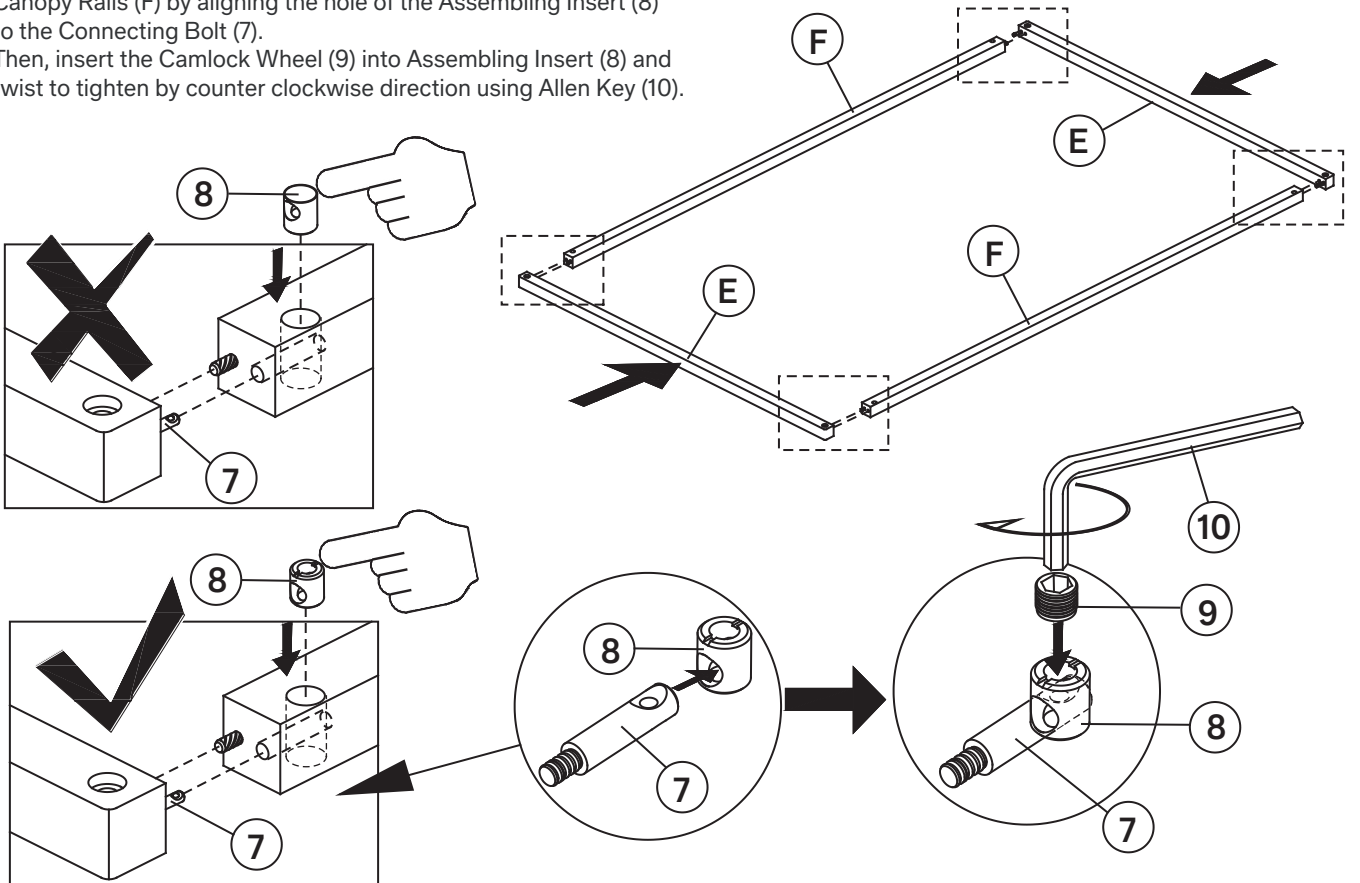
STEP 6:

Insert the Connecting Bolts (7) into the Short Canopy Rails (E).



STEP 7:

Secure the Short Canopy Rails (E) to the Long Canopy Rails (F). Place Assembling Insert (8) into the holes inside of the Long Canopy Rails (F) by aligning the hole of the Assembling Insert (8) to the Connecting Bolt (7). Then, insert the Camlock Wheel (9) into Assembling Insert (8) and twist to tighten by counter clockwise direction using Allen Key (10).

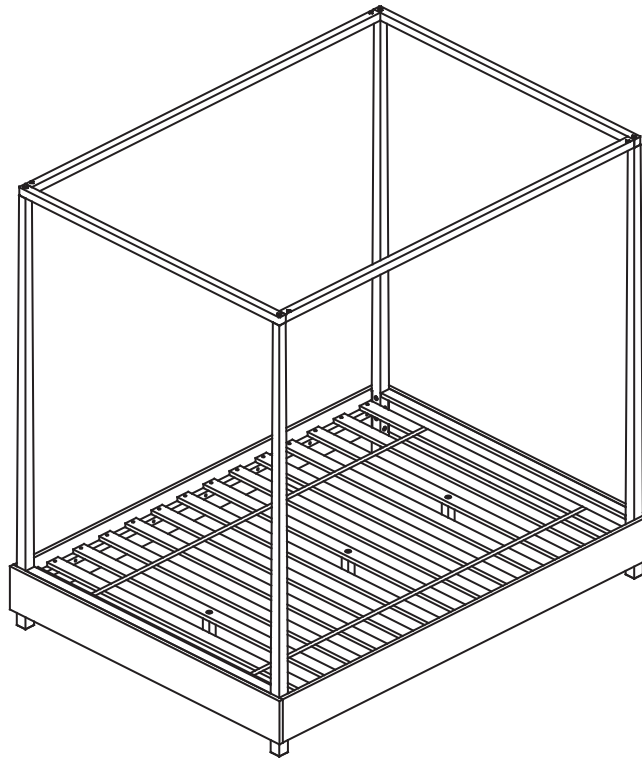
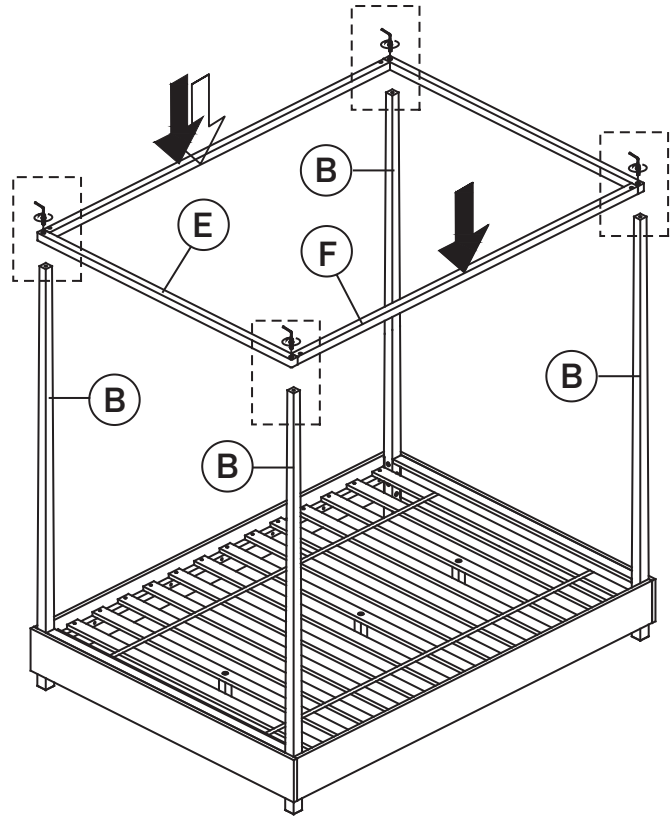
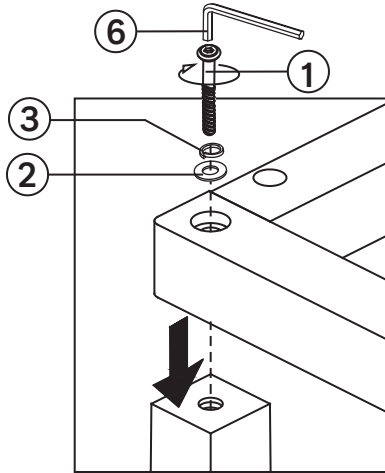


RHBABY&CHILD

CALLUM PLATFORM CANOPY QUEEN BED

STEP 8:

This final procedure should be done by 2 people working together to carefully lift assembled canopy and place on top of bed posts. Insert the Flat Washer (2), Spring Washer (3), Long Bolt (1) into the holes of Short Canopy Rails (E). Tighten with Allen Key (6). (See drawing below)



CARE INSTRUCTIONS:

- Dust often using a clean, soft, dry lint-free cloth.
- Blot spills immediately, and wipe with a clean, damp cloth.
- We do not recommend the use of chemical cleansers, abrasives, or furniture polish on our lacquered finish.