

BELLINA TOWER BOOKCASE

⚠ WARNING: ADULT ASSEMBLY ONLY OWING TO THE PRESENCE OF SMALL PARTS, SHARP POINTS AND EDGES

Customer Service - If you are missing parts or have any questions about this product, please contact us at : 1-800-762-1751

PART LIST

- A. [1] BELLINA TOWER BOOKCASE
- B. [4] LEG

Please Note: [2] metal bracket and [12] Phillips Wood Screws are included for assembly of the Bellina Study Wall. See separate Assembly Instructions.

INSTRUCTIONS:

STEP #1:

Gently lay the Bellina Tower Bookcase on its back on a flat and non-abrasive surface.

Note:

On the bottom of the bookcase are holes with pre-installed nuts that correspond to the threaded rods pre-installed in the legs.

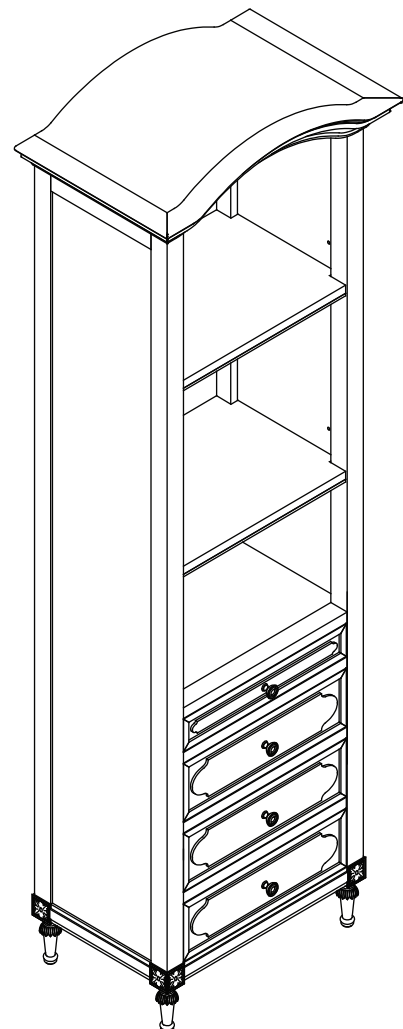
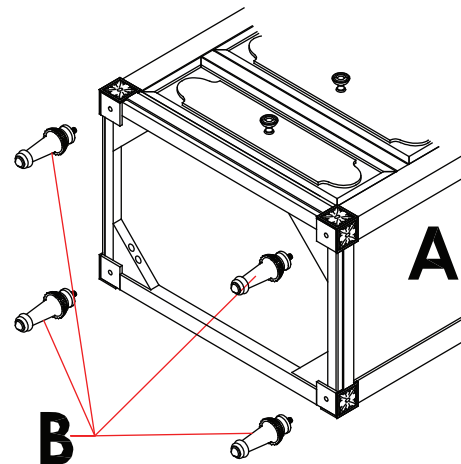
STEP #2:

Align and insert the threaded rods of the legs into the holes and turn clockwise to tighten. Please see sketch below.

Note: do not over tighten.

STEP #3:

After assembly, gently lift the dresser into upright position.








FURNITURE TIPPING RESTRAINT INSTRUCTIONS

Young children may be injured by tipping furniture and the use of a tipping restraint is highly recommended. When properly installed, this restraint could provide protection against the unexpected tipping of furniture due to small tremors, bumps or climbing. We recommend mounting this restraint to a wall stud.

WARNING : This product is only a deterrent. It is not a substitute for proper adult supervision.

PART LIST

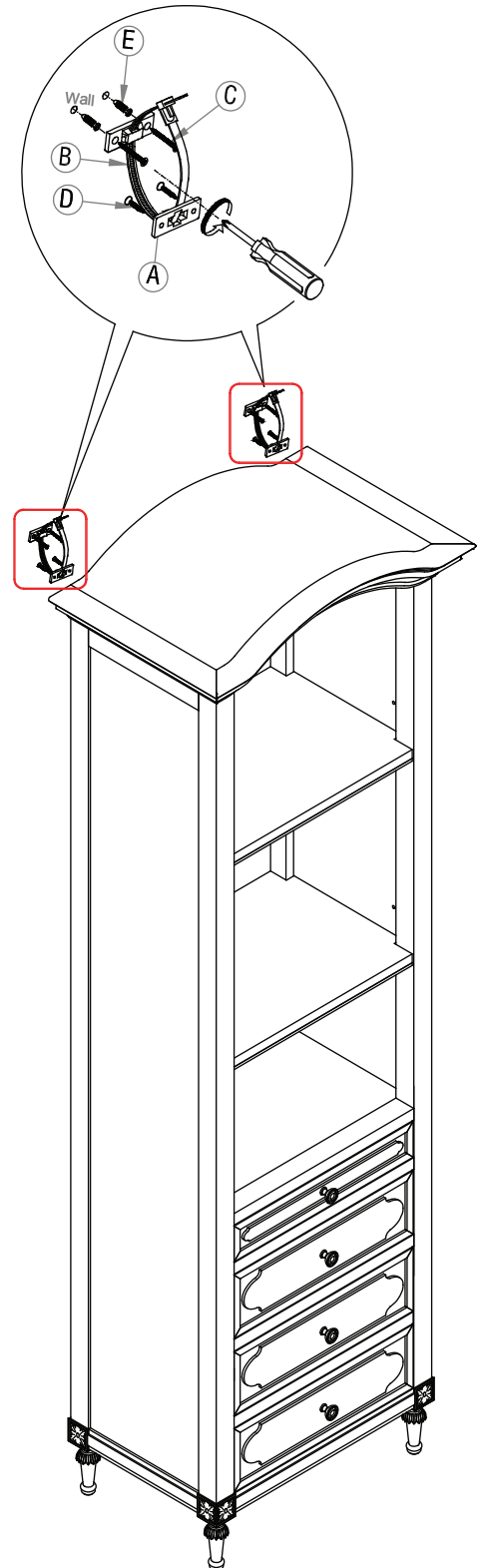
- | | |
|--------------------------------|---|
| A [4] PLASTIC BRACKET |  |
| B [2] RESTRAINT STRAP |  |
| C [4] PHILIPS SCREWS M4 x 30mm |  |
| D [4] PHILIPS SCREWS M4 x 20mm |  |
| E [4] PLASTIC ANCHOR |  |

INSTALLATION INSTRUCTIONS

1. Attach two of the Plastic Brackets (A) near the top back edge of the furniture piece by inserting the shorter screws (D).
2. Determine the final position of the furniture piece. Mark locations on the wall approximately 2" below the brackets mounted to the back of the furniture.
3. Drill a shorter hole into the wall stud. If wall stud is not available, drill a hole into the wall and insert Plastic Anchor (E). Gently tap the Anchor until the flange is flush with the wall.
4. Attach the second set of brackets (A) by inserting the longer screw (C) through the bracket and into the wall.
5. Place the furniture so that the brackets on the back edge are in line with the brackets in the wall.
6. Lace one end of the nylon restraint strap (B) down through each bracket. Bring both ends together and slide the beaded end until it snap locks into the keyhole slot.
7. To double lock; return the beaded end back through the keyholes as shown in sketch.
8. Check to make sure the straps are securely laced and locked to the brackets.

CARE INSTRUCTIONS:

- Dust often using a clean, soft, dry lint-free cloth.
- Blot spills immediately and wipe with a clean, damp, cloth.
- We do not recommend the use of chemical cleansers, abrasives, or furniture polish on our lacquered finish.



Thank you for your purchase
www.rhbabyandchild.com