

PLAY HOUSE INSTRUCTIONS

PARTS INCLUDED

TENT COVER

(A) METAL POLE 50.8" x 5PCS

(B) METAL POLE 37" x 2PCS

(C) METAL POLE 33" x 4PCS

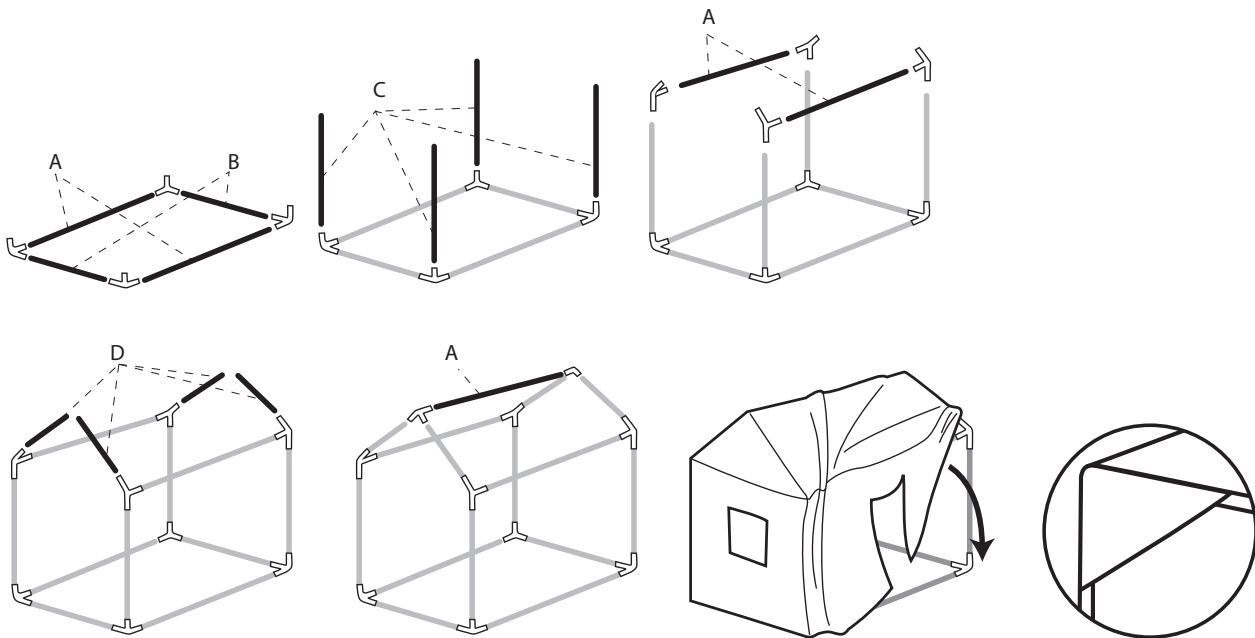
(D) METAL POLE 25.6" x 4PCS

90°RIGHT ANGLE CONNECTOR x 6PCS

135°ANGLE CONNECTOR x 4PCS

ASSEMBLY INSTRUCTIONS

1. Locate a level surface, and start to build framework from bottom up with metal poles with connectors as shown.
2. Place tent cover over frame.
3. Close all edge and corner Velcro® fabric flaps at bottom of house to secure frame.



CARE INSTRUCTIONS

1. Spot clean
2. Do not use bleach

IMPORTANT SAFETY INSTRUCTIONS

1. Please note this tent is treated with flame retardant, but is not flame resistant.
2. Two adults recommended for assembly.
3. For children ages 3+