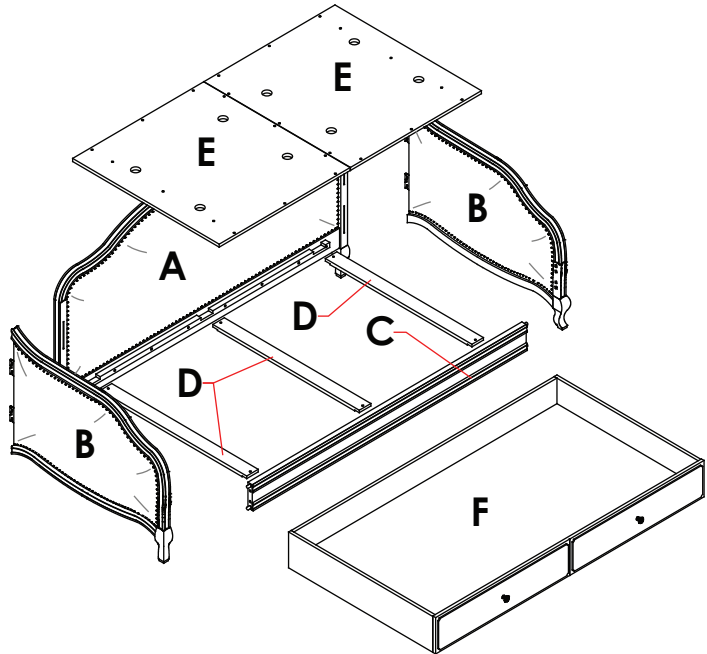


## MARCELINE DAYBED

**⚠ WARNING:** ADULT ASSEMBLY ONLY OWING TO THE PRESENCE OF SMALL PARTS, SHARP POINTS AND EDGES.

**PART LIST**

- A HEADBOARD [1]
- B END PANEL [2]
- C FRONT RAIL [1]
- D TWIN PANEL SUPPORT [3]
- E TWIN PANEL [2]
- F TRUNDLE (OPTIONAL, SOLD SEPARATELY)



**IMPORTANT**

These bed parts can be cumbersome and heavy to some people; therefore the assistance of two or more people is recommended in order to prevent personal injury and ensure the bed parts are not damaged during the assembly process.

**TOOLS NEEDED**

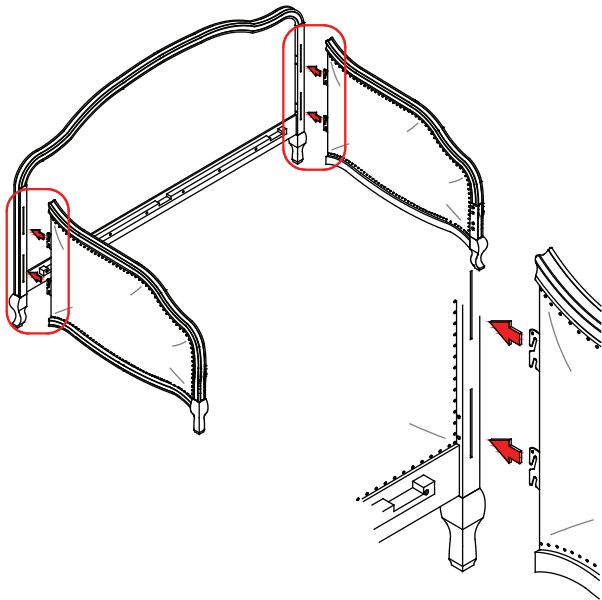
-PHILLIPS HEAD SCREWDRIVER (NOT PROVIDED)

**HARDWARE LIST**

NO.		DESCRIPTION	QTY.
1		THREADED ROD	4 PCS
2		CURVED WASHER	4 PCS
3		LOCK WASHER	4 PCS
4		HEX NUT	4 PCS
5		WRENCH	1 PC
6		PHILLIPS WOOD SCREW	18 PCS

Customer Service - If you are missing parts or have any questions about this product please contact us at 1-800-762-1751

**FIGURE 01**



**ASSEMBLY INSTRUCTIONS:**

Thank you for choosing this quality product. Be sure to check all packaging materials carefully for small parts that may have become loose during shipment and place all parts on a non-abrasive surface.

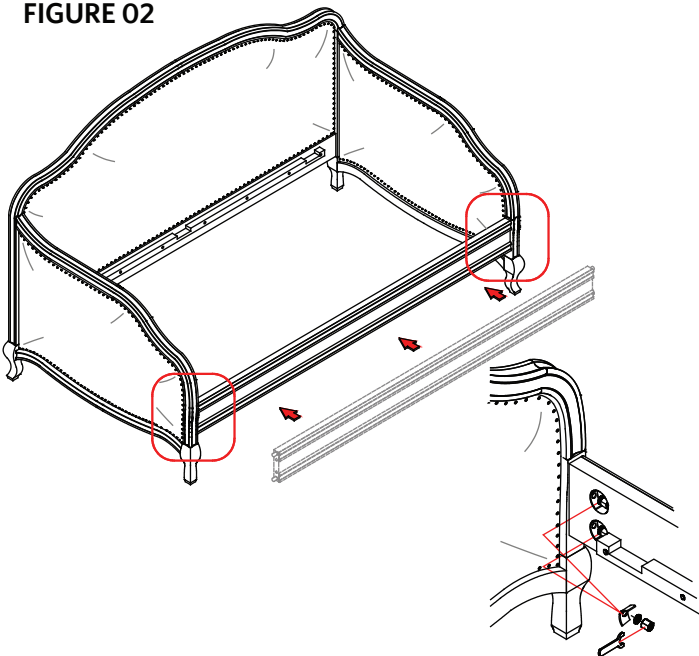
**STEP #1:**

Place the Headboard (A) and the End Panels (B) upright in the position you wish the bed to be in when fully assembled. On connecting end of the End Panels (B) are pre-installed hooks that correspond to the cavities on both ends of the Headboard (A). Align and insert the hooks on the End Panels (B) into the cavities on the Headboard (A). Please see FIGURE 01.

**Note:**

On both ends of the End Panels (B) are holes with pre installed nuts and holes for the wooden dowels to pass through that correspond to the holes on both ends of the Front Rails and pre-installed wooden dowels.

**FIGURE 02**



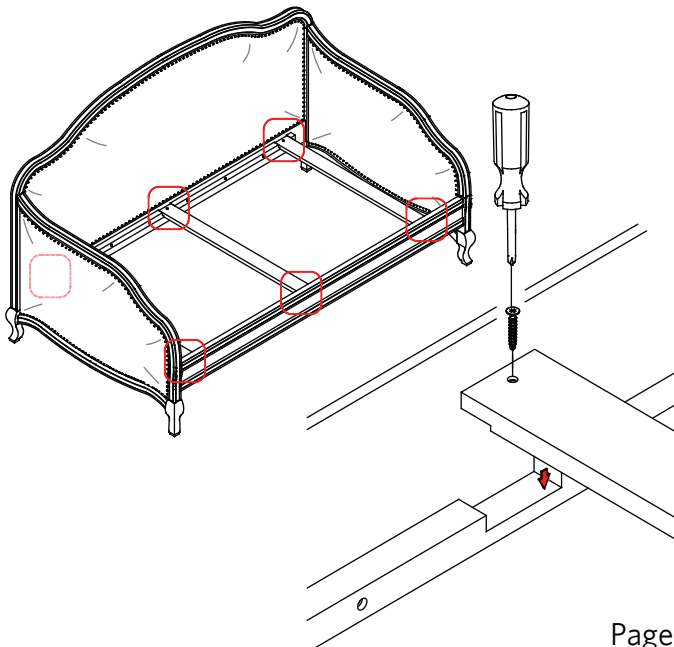
**STEP #2:**

To install the Front Rail (C), fasten the Threaded Rod (1) manually into the insert nut on both End Panels (B). Insert the wooden dowels of the Front Rail (C) onto the mating hole of both End Panels (B) as well as the Threaded Rod of End Panels (B) into the mating holes of the Front Rail (C). Insert Curved Washers (2) and Lock Washers (3) and engage Hexagonal Nuts (4). Tighten all the nuts with Wrench (5) provided. Please see FIGURE 03.

**NOTE:**

After assembly, re-tighten all bolts to a snug fit.

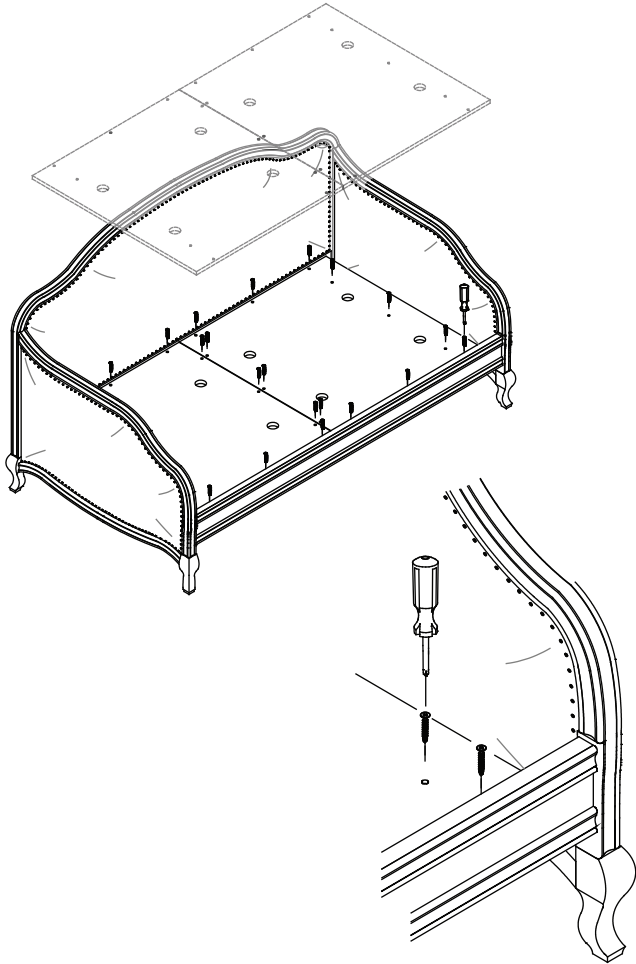
**FIGURE 03**



**STEP #3.**

On the inside face of the Headboard (A) and Front Rail (C) are cleats with cavities for the Twin Panel Supports (D). Set the Twin Panel Supports (D) into the cleats and fasten both ends with Screws (6) provided. Please see FIGURE 03.

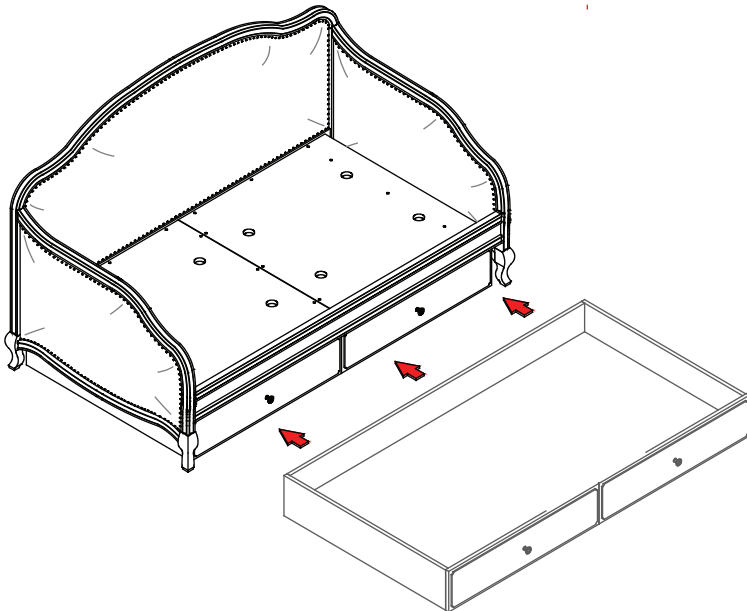
**FIGURE 04**



**STEP #4.**

Set the Twin Panels (E) on top of supports (D) and fasten these with Screws (6) provided as in FIGURE 05.

**FIGURE 05**



**STEP #5**

After assembly, slide the optional Trundle (sold separately) (F) underneath the Daybed as in FIGURE 06.

*Thank you for your purchase*  
[www.rhbabyandchild.com](http://www.rhbabyandchild.com)