




AVA SINGLE DOOR ARMOIRE INSTRUCTIONS

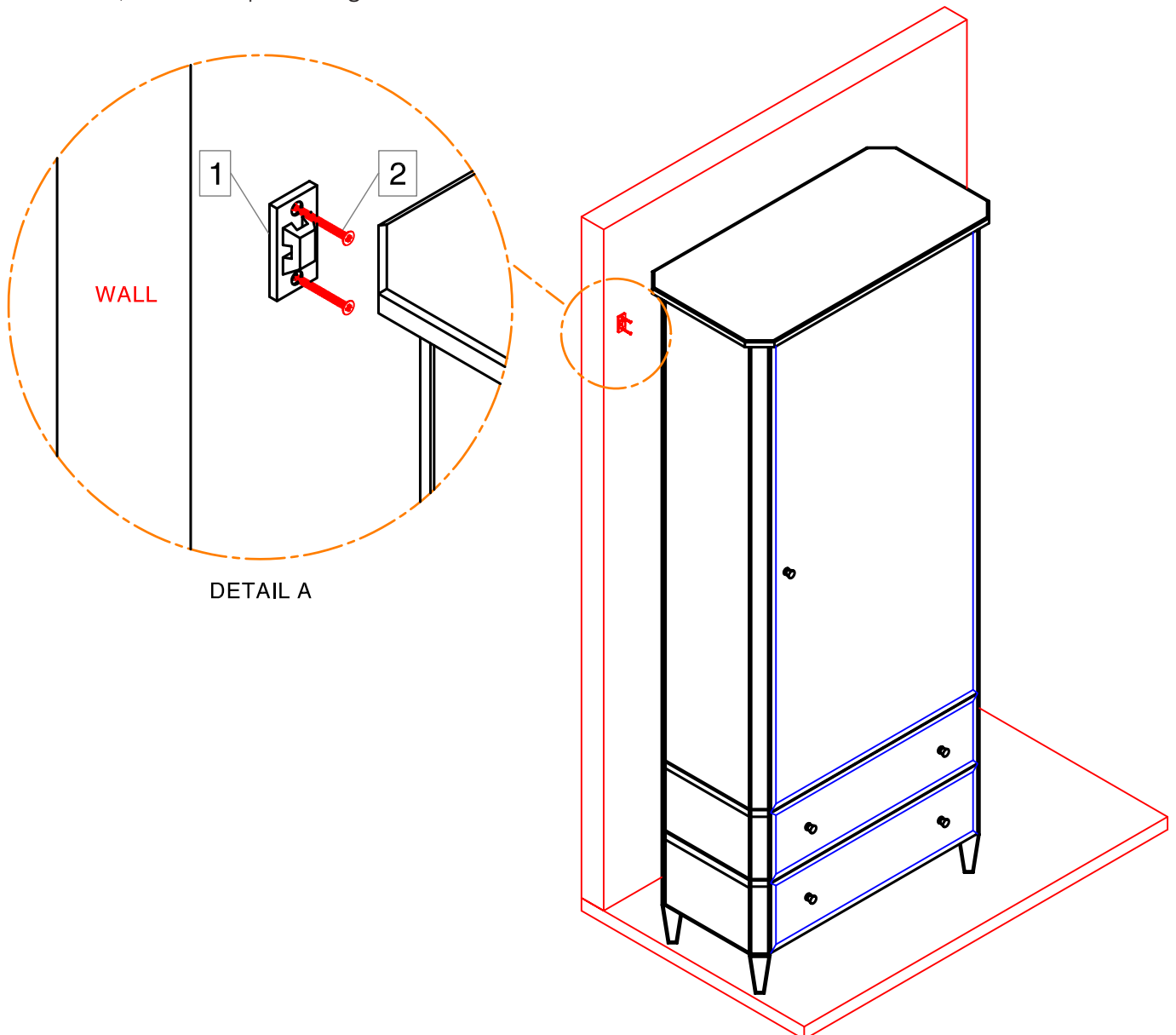
PARTS INCLUDED

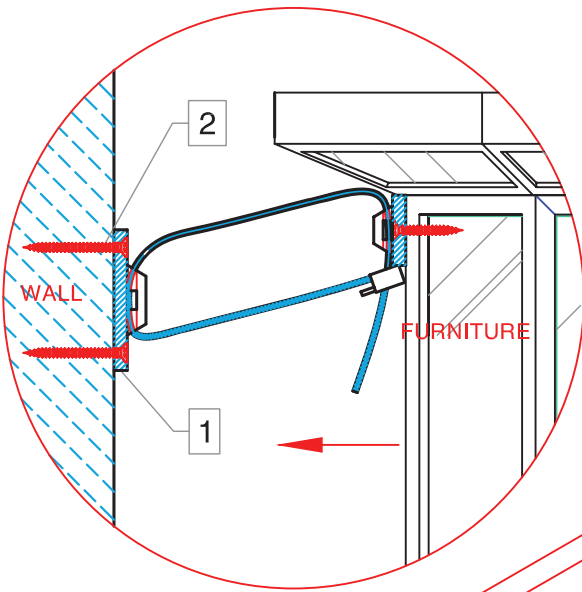
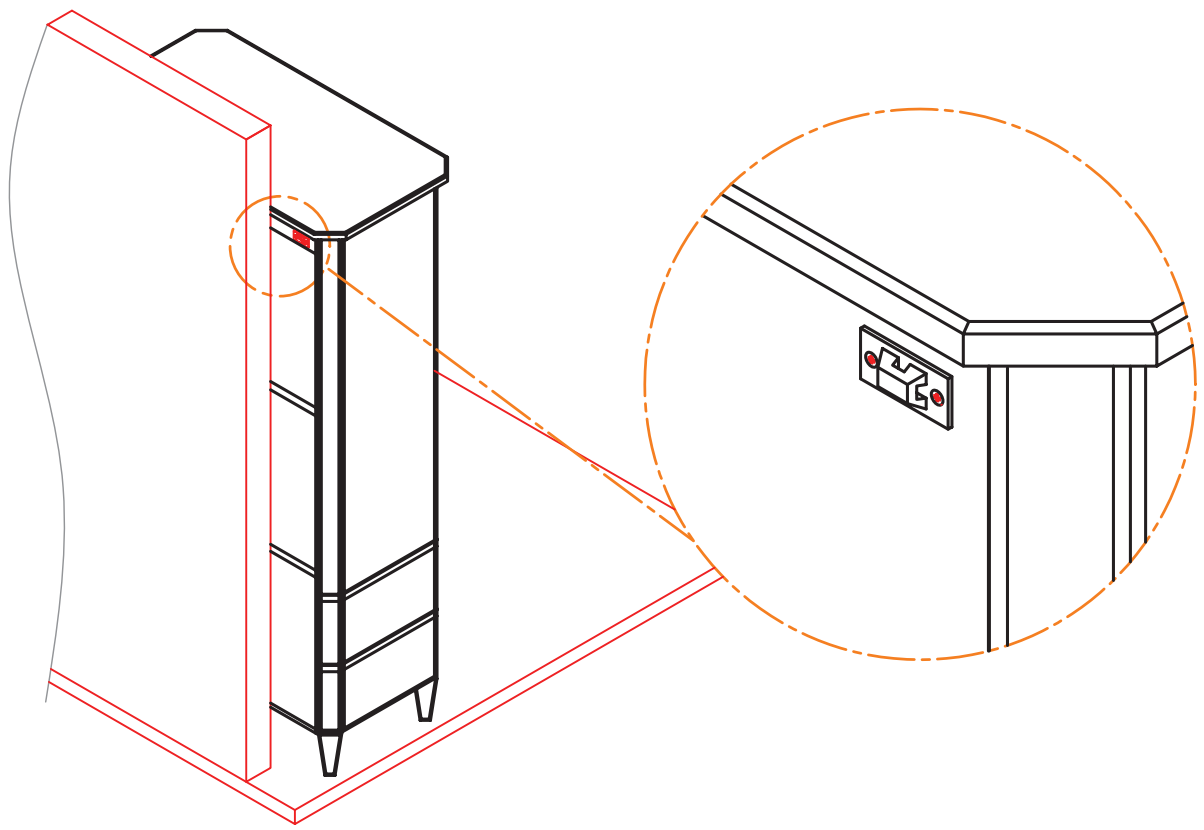
A [1] Ava Single Door Armoire

NO.	ITEM	DESCRIPTION	QTY.
1		Plastic mounting bracket	2 pcs
2		Nylon zip tie	2 pcs.
3		Screw	4 pcs

ASSEMBLY INSTRUCTIONS

1. Move the furniture piece into position close to the wall. Mark locations on the wall approximately 1 inch below the set of pre-installed plastic mounting brackets on the furniture piece. If possible, line your furniture piece up with all stud(s). Move your furniture piece away from the wall. Drill pilot holes with a 3/32" drill bit if needed. Attach brackets to the wall with the long screws provided. (Detail A).
2. Move the furniture into it's final position, taking care to line up the wall brackets with the furniture brackets. Thread a strap through each bracket as shown in the illustration. Tighten straps until snug. Do not over tighten.(Detail B).
3. Important: Check to be sure the wall brackets are firmly screwed into the wall, the furniture brackets are firmly attached to the frame, and the straps are snug.





DETAIL B

