

RHBABY&CHILD

MERCANTILE OVERSIZED STACKING BIN – ASSEMBLY INSTRUCTIONS

! WARNING:

- This product is only a deterrent. It is not a substitute for proper adult supervision.
- Maximum height is 3 units high.
- Please install metal brackets to connect multiple units.

PARTS INCLUDED

A [2 or 3] STACKING BIN

TOOLS NEEDED




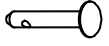



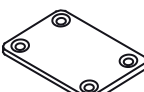

PHILLIPS-HEAD SCREWDRIVER (NOT INCLUDED)

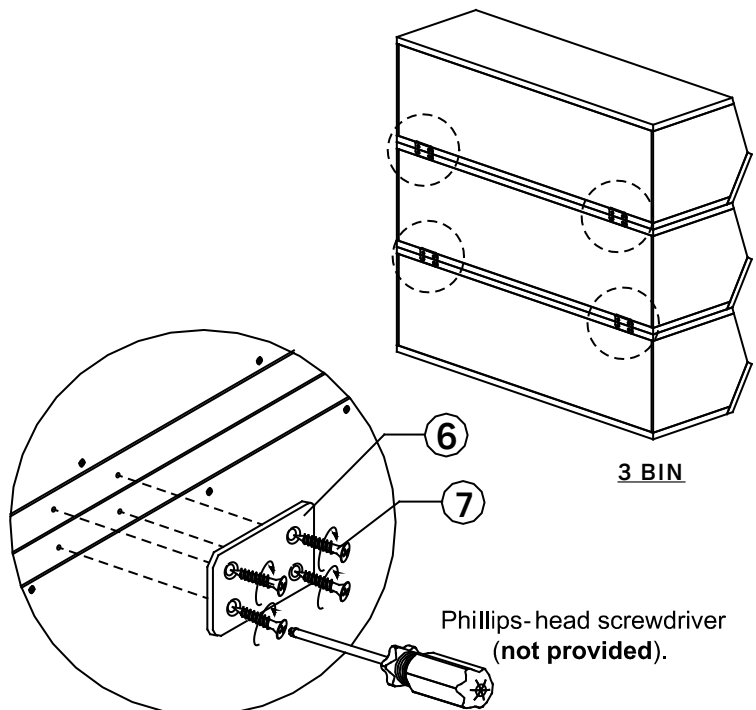
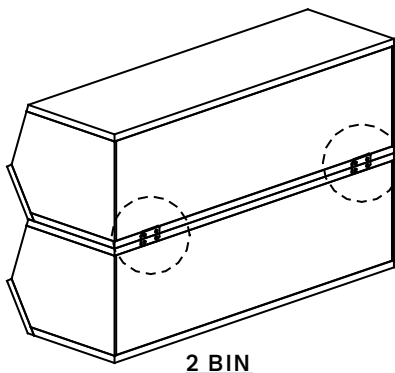
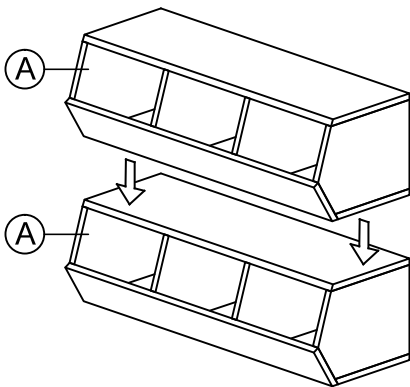
ASSEMBLY INSTRUCTIONS:

- 1 - Metal bracket installation to connect units.
- 2 - Furniture tipping restraint installation (for units 2 and 3 levels high).

STEP 1 - METAL BRACKET INSTALLATION:

Place [4] Metal Brackets (6) over the pre-drilled holes on back of middle unit and secure to base and top unit using [16] Wood Screws (7).

NO.	ITEM	DESCRIPTION	QTY.
1		Metal Base	2 pcs.
2		Metal Plug	2 pcs.
3		Phillips Screws M4 x 37mm	2 pcs.
4		Phillips Screws M4 x 16mm	2 pcs.
5		Metal Cable	1 pc.
6		Metal Brackets	[2 or 4] pcs.
7		Wood Screws 7 x 15mm	[8 or 16] pcs.



MERCANTILE OVERSIZED STACKING BIN – ASSEMBLY INSTRUCTIONS

STEP 2:

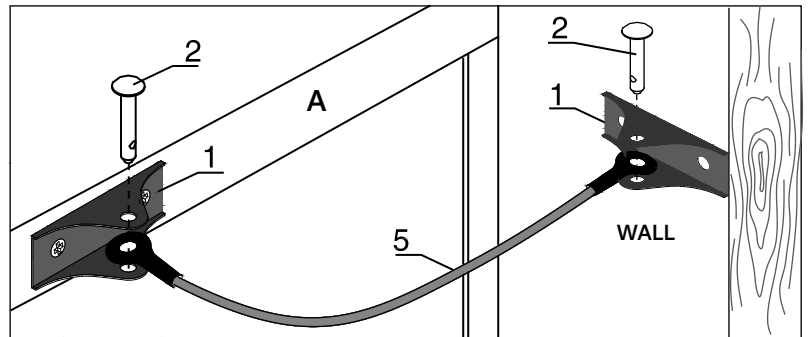
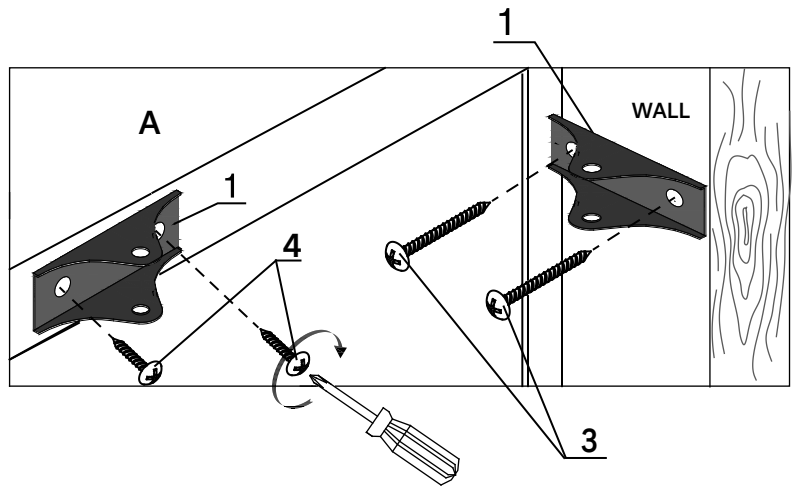
ANTI-TIPPING RESTRAINT:

YOUNG CHILDREN MAY BE INJURED BY TIPPING FURNITURE. THE USE OF AN ANTI-TIPPING RESTRAINT IS HIGHLY RECOMMENDED. WHEN PROPERLY INSTALLED, THIS RESTRAINT COULD PROVIDE PROTECTION AGAINST THE UNEXPECTED TIPPING OF FURNITURE DUE TO SMALL TREMORS, BUMPS OR CLIMBING.

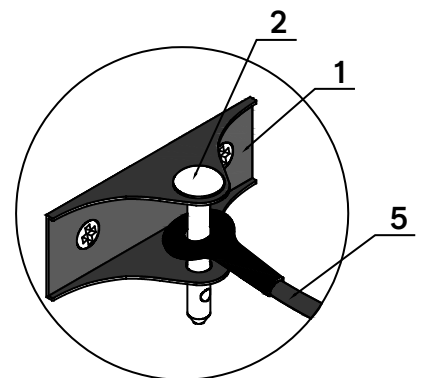
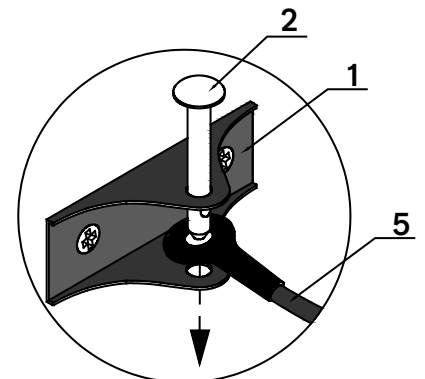
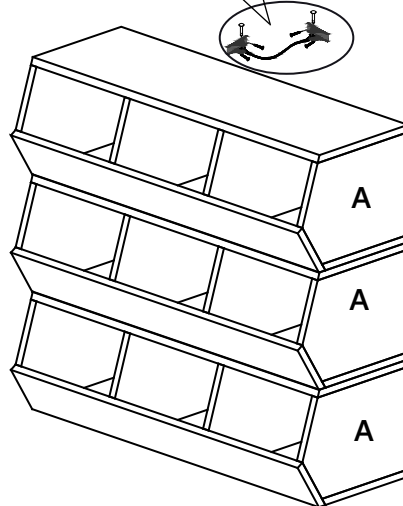
WE RECOMMEND ATTACHMENT TO A WALL STUD WHERE POSSIBLE OR INSTALLATION BY A PROFESSIONAL WHEN ATTACHING THE ANTI-TIP KIT TO MASONRY OR CONCRETE WALL.

WARNING:

THE ANTI-TIPPING RESTRAINT IS ONLY A DETERRENT. IT IS NOT A SUBSTITUTE FOR PROPER ADULT SUPERVISION.



1. ATTACH METAL BASES TO THE STACKING BIN (A) AND THE WALL USING THE SCREWS PROVIDED (3, 4).
2. PLACE THE TWO ENDS OF METAL CABLE (5) IN THE MIDDLE OF METAL BASE AND CONNECT THEM WITH METAL PLUGS (2) THROUGH THE HOLES IN THE METAL BASE AND WIRE HEAD.



CARE INSTRUCTIONS:

1. DUST OFTEN USING A CLEAN, SOFT, DRY LINT-FREE CLOTH.
2. BLOT SPILLS IMMEDIATELY AND WIPE WITH A CLEAN, DAMP CLOTH.
3. DO NOT USE CHEMICAL CLEANSERS, ABRASIVES OR FURNITURE POLISH ON THE LACQUERED FINISH.