

baby&child

RESTORATION HARDWARE

All Restoration Hardware cribs are designed to meet the highest safety standards and comply with all U.S. and Canadian cribs and cradles regulations.

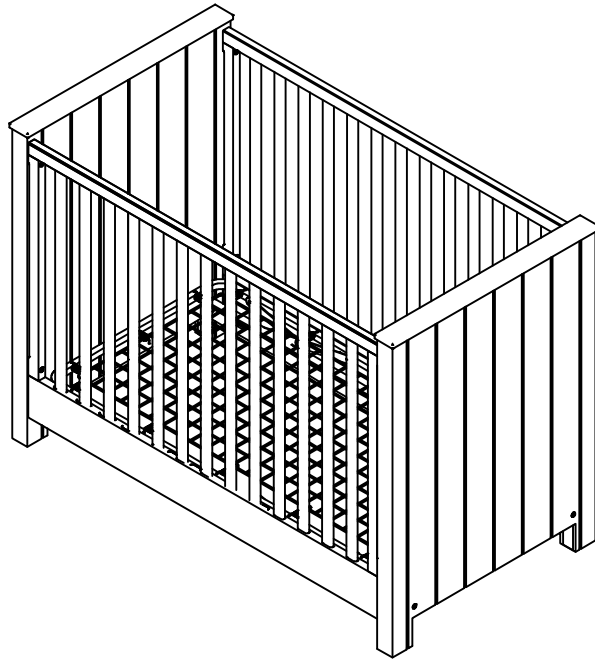
Made in Vietnam

Model No: 367-19
Haven Panel Crib

Distributed in the U.S.A by:
Restoration Hardware Baby & Child
11640 Harrel St. Suite B
Mira Loma, CA 91752
www.rhbabyandchild.com

Distributed in Canada by:
Restoration Hardware Canada, Inc.
1500-1055 West Georgia Street
Vancouver, British Columbia V6E4N7

! **WARNING:** Read all instructions before assembling this product. **KEEP INSTRUCTIONS FOR FUTURE USE.**



CUSTOMER SERVICE

If you are missing parts or have any questions about this product, contact us first. You can also order parts by writing to the address above. Include the product model number, color, and a brief description of the part. Call 1-800-762-1751.

CARE AND CLEANING

DO NOT scratch or chip the finish. **DO NOT** use abrasive chemicals for cleaning. Clean with mild soap on soft rag. Rinse and dry thoroughly. If the crib is to be stored, store in a cool dry place and carefully package all original hardware to protect from loss.


TOOLS AND INSTALLATION


Tools Necessary: Allen Key (included).

NOTE: It may be easier to assemble product with two people.

NOTE: When inserting bolts, turn clockwise until tight. Then loosen 1/2-3/4 of a turn. After crib is completely assembled, return to each bolt and tighten. Use wax or soap on all bolts to facilitate assembly.

IMPORTANT SAFETY INFORMATION FOR CRIBS

 **WARNING:** Infants can suffocate on soft bedding. Never add a pillow or comforter. Never place additional padding under an infant.

 **WARNING:** Failure to follow these warnings and the assembly instructions could result in serious injury or death.

- Never use plastic shipping bags or other plastic film as mattress covers because they can cause suffocation.
- Infants can suffocate in gaps between crib sides and a mattress that is too small.
- To reduce the risk of SIDS, pediatricians recommend healthy infants be placed on their backs to sleep, unless otherwise advised by your physician.

Strangulation Hazard:

- Strings can cause strangulation! **DO NOT** place items with a string around a child's neck, such as hood strings or pacifier cords. **DO NOT** suspend strings over a crib or attach strings to toys.
- To help prevent strangulation tighten all fasteners. A child can trap parts of the body or clothing on loose fasteners.
- **DO NOT** place crib near window where cords from blinds or drapes may strangle a child.

Fall Hazard:

- When child is able to pull to a standing position, set mattress to lowest position and remove bumper pads, large toys and other objects that could serve as steps for climbing out.
- When child is able to climb out or reaches the height of 35 in (89 cm), the crib shall no longer be used, and the child should be placed in a youth or regular bed.
- Check this product for damaged hardware, loose joints, missing parts or sharp edges before and after assembly and frequently during use. **DO NOT** use crib if any parts are missing, damaged or broken.
- Contact customer service at 1-800-762-1751 for replacement parts and instructional literature if needed. **DO NOT** substitute parts.
- **DO NOT** use a water mattress with this crib.
- If refinishing, use a non-toxic finish specified for children's products.
- Follow warnings on all products in a crib.
- Never use plastic shipping bags or other plastic film as mattress covers because they can cause suffocation.
- Infants can suffocate in gaps between crib sides and a mattress that is too small.

IMPORTANT SAFETY INFORMATION FOR CRIBS

CAUTION: ANY MATTRESS USED IN THIS CRIB MUST BE AT LEAST 27-1/4 INCHES BY 51-5/8 INCHES WITH A THICKNESS NOT EXCEEDING 6 INCHES.

WARNING

- Do not use this crib if the enclosed or attached instructions cannot be strictly adhered to. Do not use this crib if the child is able to climb out unaided or is taller than 90 cm. Do not place cords, straps or similar items that could become wound around the child's neck in or near this crib. Ensure that the sides are properly latched or locked in place when the crib is occupied. The mattress used with this crib should not be more than 15 cm thick and should be of such length and width that the gap between the mattress and the sides of the crib is not more than 3 cm when the mattress is pushed into the corner of the crib.
- Parents should inspect the crib regularly before putting the child in the crib each day-and confirm that every component of the crib is properly and securely in place.

IMPORTANT SAFETY INFORMATION FOR TODDLER & DAY BEDS



WARNING: ENTRAPMENT/ STRANGULATION HAZARD

Infants have died in toddler beds from entrapment and strangulation.
Failure to follow these warnings and the assembly instructions could result in serious injury or death.

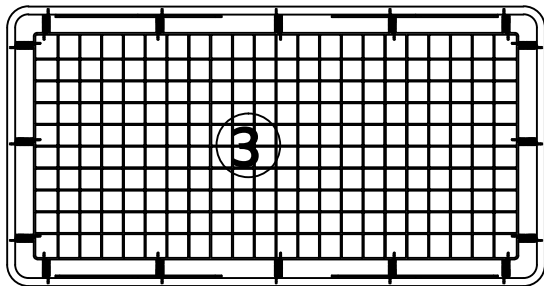
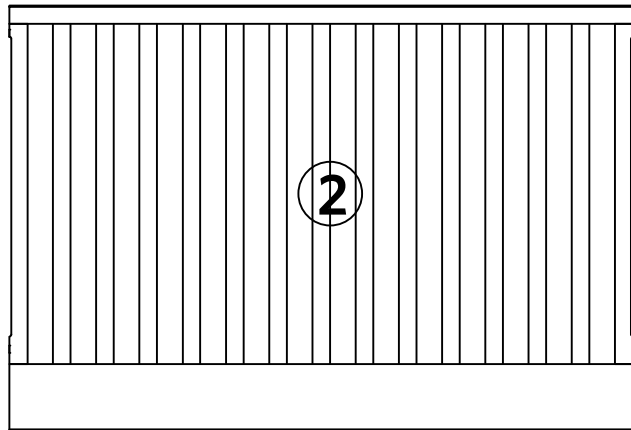
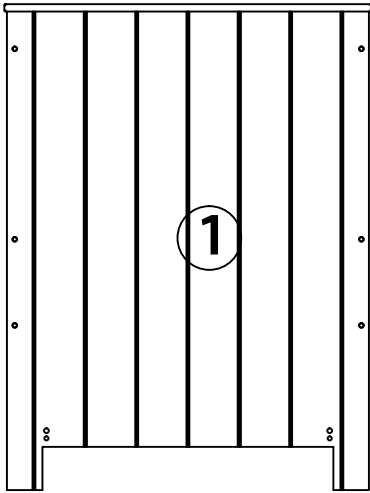
NEVER use bed with children under 15 months.

NEVER place bed near windows where cords from blinds or drapes may strangle a child.

- The mattress intended for use on the bed shall be a full-size crib mattress having minimum dimensions of $51\frac{5}{8}$ inches (1310 mm) in length, $27\frac{1}{4}$ inches (690 mm) in width and 4 inches (100 mm) in thickness, not exceeding 6 inches (152 mm) in thickness.
- If guardrails are used as the mattress containment means, guardrail(s) provided must be used to avoid the formation of a gap between the mattress and the bed that could cause an entrapment.
- **DO NOT** place bed near windows where cords from blinds or drapes may strangle a child.
- **DO NOT** place items with a string, cord, or ribbon around a child's neck, such as hood strings or pacifier cords.
- A child using the toddler or day bed shall be at least 15 months of age and shall not weigh more than 50 lbs (22.7 kg).



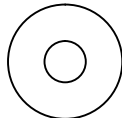
ASSEMBLY INSTRUCTIONS

PARTS INCLUDED


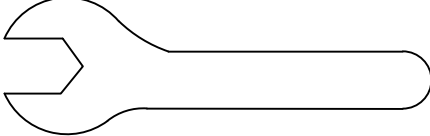
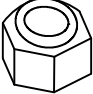
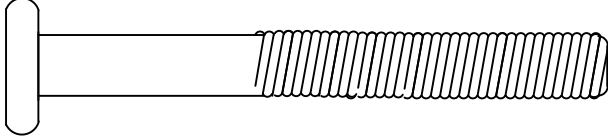
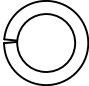
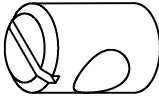
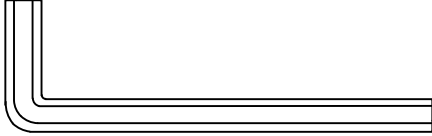
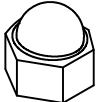



- 1. (2) Headboard/ Footboard
- 2. (2) Stationary Side Rail
- 3. (1) Mattress Support
- 4. (2) Stretcher Bar

HARDWARE LIST

NO.	ITEM	DESCRIPTION	QUANTITY
AA		Spring Washer 1/4"	4pcs.
BB		Mattress Bolt 6x40mm	4pcs.
CC		Flat Washer 1/4"	4pcs.

ASSEMBLY INSTRUCTIONS

NO.	ITEM	DESCRIPTION	QUANTITY
DD		Short Bolt 5/16"x50mm	8 pcs.
EE		Multi Wrench	1pc.
FF		Mattress nut	16pcs.
GG		Long Bolt 5/16"x80mm	4pcs.
HH		Spring Washer 5/16"	12pcs.
II		K.D. Barrel Nut	4pcs.
KK		Allen Key	1 pc.
LL		Cap Hex Nut 6mm	12pcs.
MM		Small Bolt 6x32mm	12pcs.

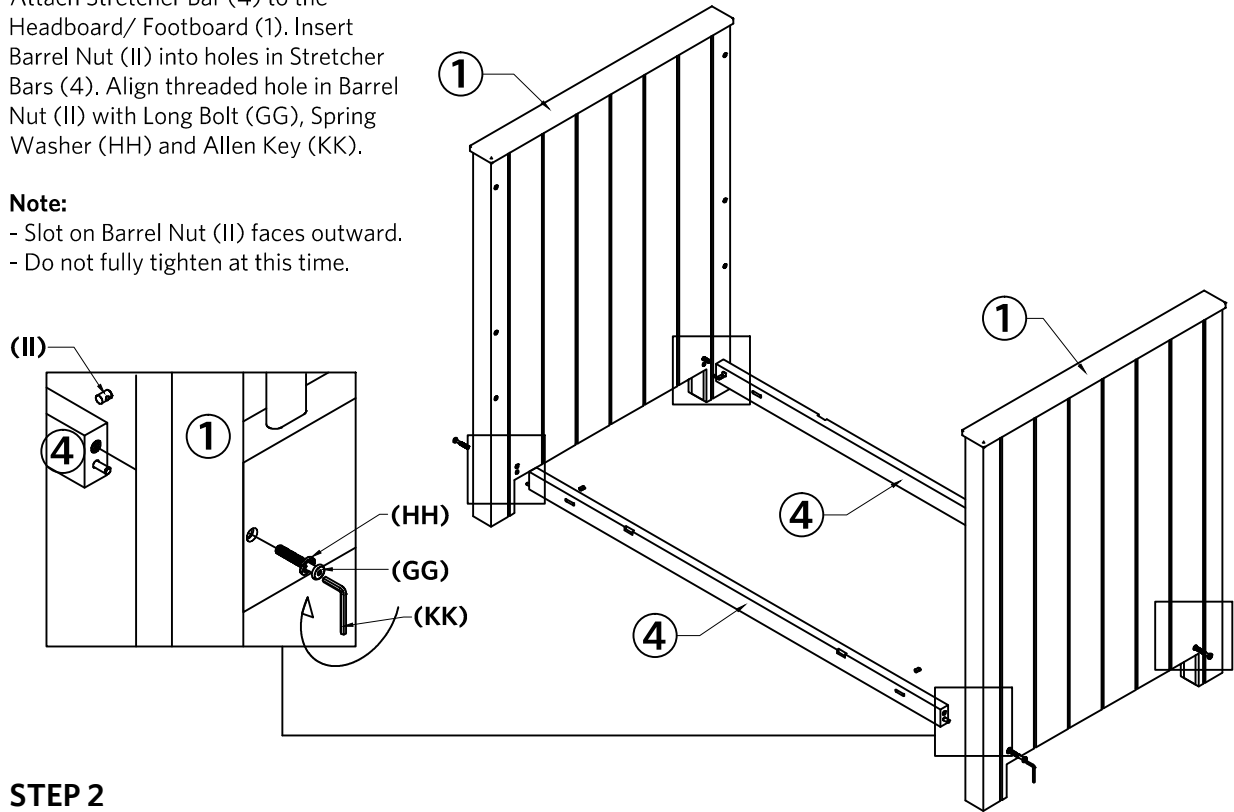
ASSEMBLY INSTRUCTIONS

STEP 1

Attach Stretcher Bar (4) to the Headboard/ Footboard (1). Insert Barrel Nut (II) into holes in Stretcher Bars (4). Align threaded hole in Barrel Nut (II) with Long Bolt (GG), Spring Washer (HH) and Allen Key (KK).

Note:

- Slot on Barrel Nut (II) faces outward.
- Do not fully tighten at this time.

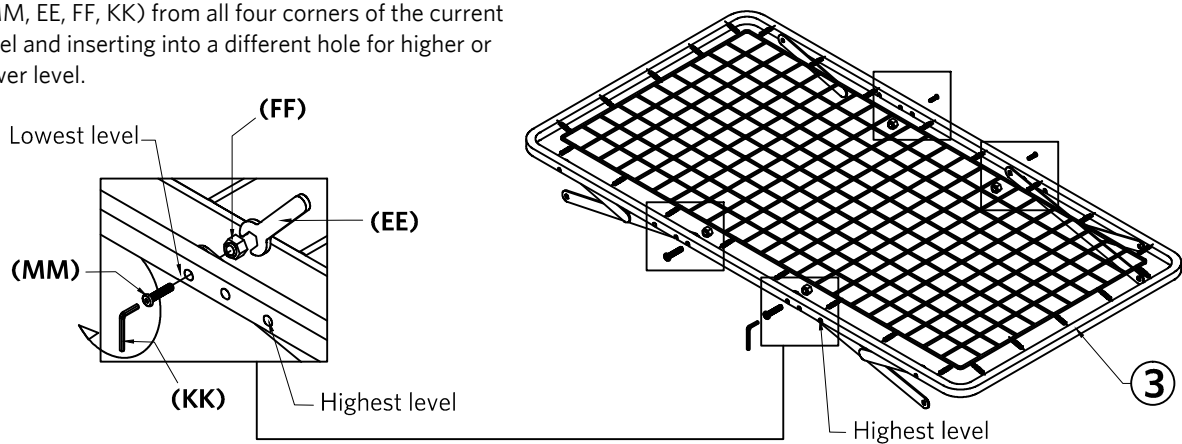


STEP 2

Place the support at the highest setting for newborns, then adjust to lower positions as the child grows and becomes mobile. Once the child is able to stand, the Mattress Support (3) should be at its lowest setting.

Note:

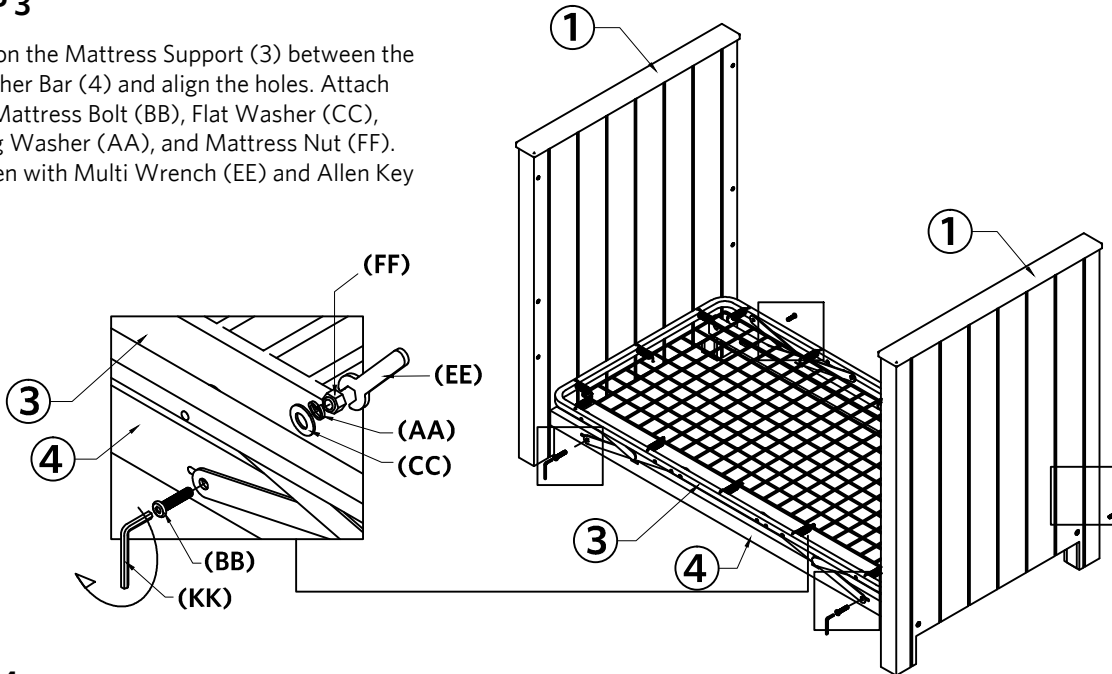
The Mattress Support (3) is easily adjustable to varying heights by loosening and removing all of the hardware (MM, EE, FF, KK) from all four corners of the current level and inserting into a different hole for higher or lower level.



ASSEMBLY INSTRUCTIONS

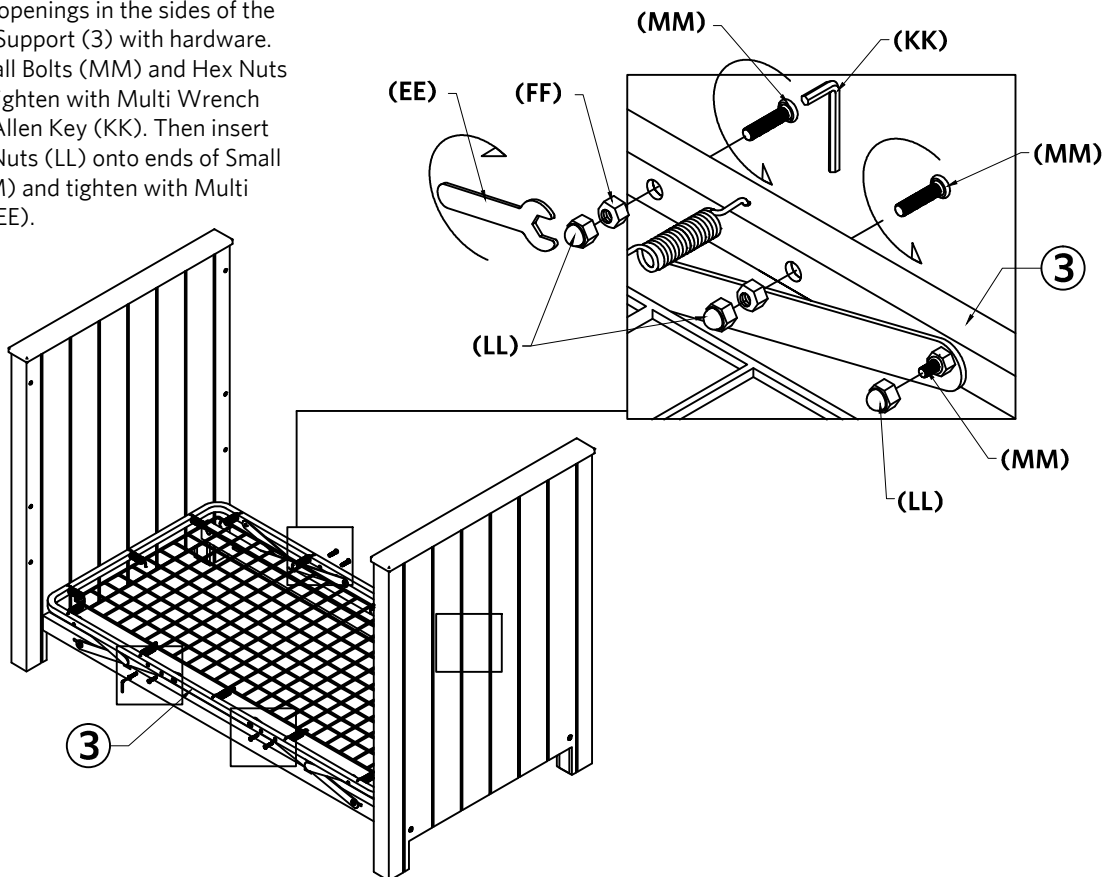
STEP 3

Position the Mattress Support (3) between the Stretcher Bar (4) and align the holes. Attach with Mattress Bolt (BB), Flat Washer (CC), Spring Washer (AA), and Mattress Nut (FF). Tighten with Multi Wrench (EE) and Allen Key (KK).



STEP 4

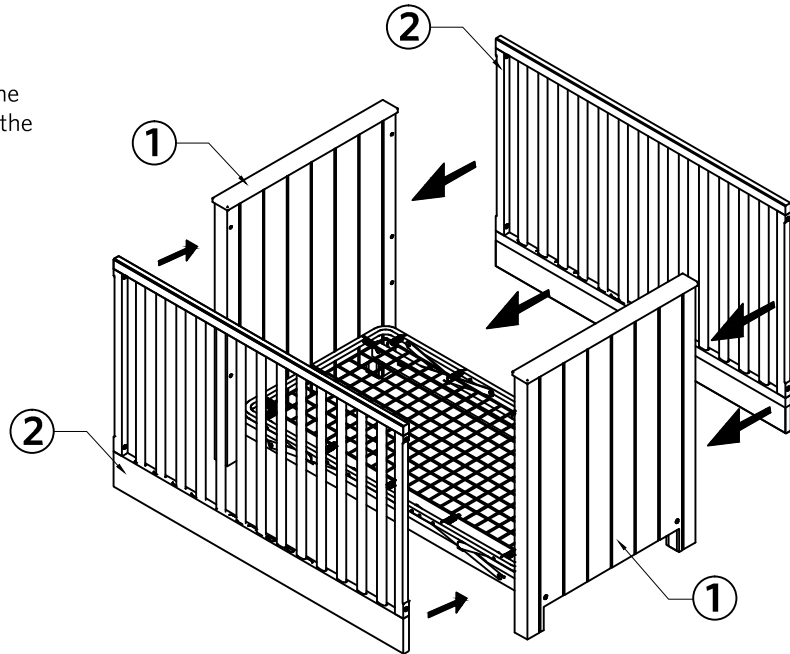
Fill empty openings in the sides of the Mattress Support (3) with hardware. Insert Small Bolts (MM) and Hex Nuts (FF) and tighten with Multi Wrench (EE) and Allen Key (KK). Then insert Cap Hex Nuts (LL) onto ends of Small Bolts (MM) and tighten with Multi Wrench (EE).



ASSEMBLY INSTRUCTIONS

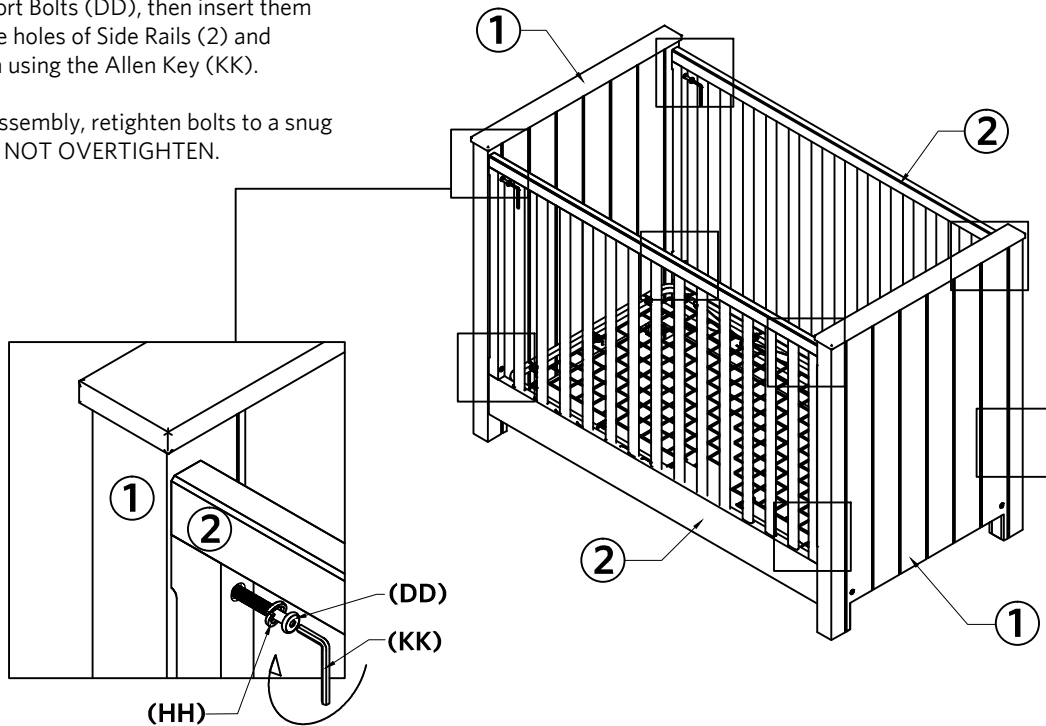
STEP 5

Position the Side Rails (2) between the Headboard/ Footboard (1) and align the holes.



STEP 6

- Insert the Spring Washers (HH) onto the Short Bolts (DD), then insert them into the holes of Side Rails (2) and tighten using the Allen Key (KK).
- After assembly, retighten bolts to a snug fit. DO NOT OVERTIGHTEN.



Thank you for your purchase
www.rhbabyandchild.com