

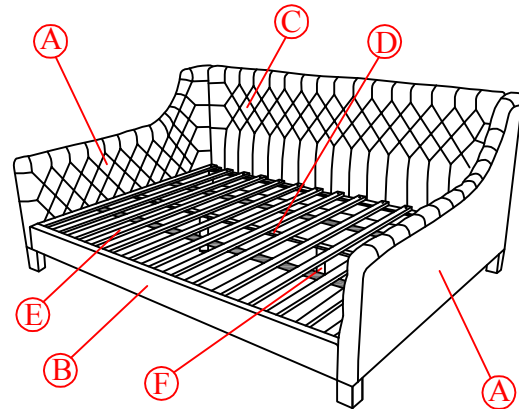
baby&child

RESTORATION HARDWARE


Devyn Tufted Daybed

PART LIST


- A [2] Side Rail
- B [1] Footboard
- C [1] Headboard
- D [1] Center Support Slat
- E [1] Slat Roll
- F [2] Center Support Slat Foot (with adjustable glide)



HARDWARE LIST

No.	HARDWARE & PARTS ENCLOSED	Qty
1	 Screw (3cm)	28 pieces
***The hardware is packed with the Side Rails (A)		

TOOLS NEEDED:

Phillips Screwdriver (Not included) 

ASSEMBLY INSTRUCTIONS

Note:

- Bed must be assembled by at least two people.
- Please read instructions carefully before assembling bed.
- Use the above parts and fittings list to identify each component.
- Keep all packing materials until assembly is complete to avoid loss of smaller parts.

STEP :

1. Place the Headboard (C) on a flat floor covered with with a protective material to prevent damage to Headboard (C);
2. Stand the Headboard (C) upright and hook Side Rail (A) into Headboard (C) as shown in the Diagram I;
3. Repeat the procedure with the Footboard (B) as shown in Diagram II;
4. Attach the Center Support Slat Foot (F) to the Center Support Slat (D) as shown in Diagram III;
5. Place the Center Support Slat (D) into the "U" shaped wood brackets on Side Rail (A) as shown in Diagram IV, adjust the height of the Center Support Slat Foot (F) if needed by unscrewing or tightening the adjustable glide;
6. Place the Slat Roll (E) on the cleats on the inside of Side Rail (A), and attach the ends of the slats to the cleats with Screws (3cm), as shown in Diagram V.

Diagram V

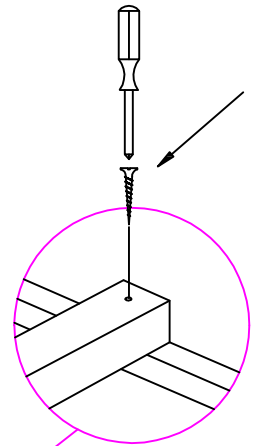


Diagram I

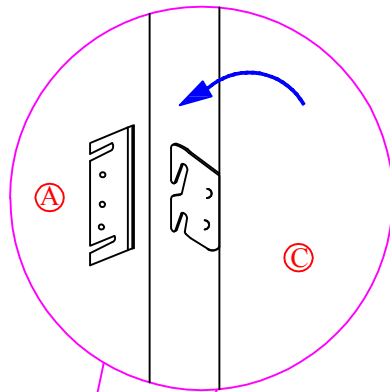


Diagram IV

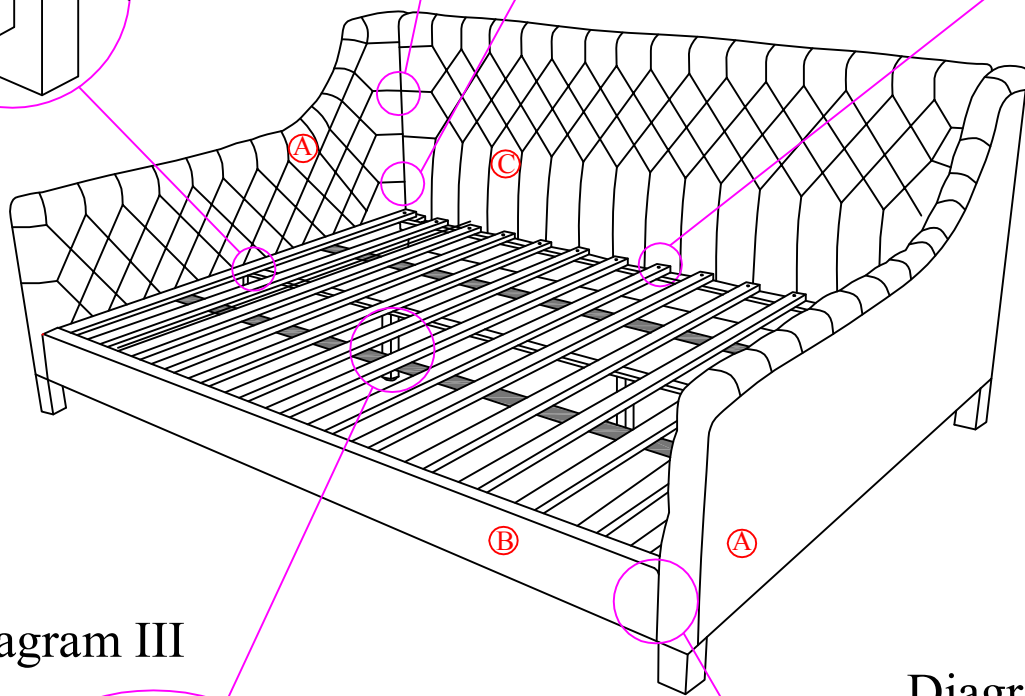
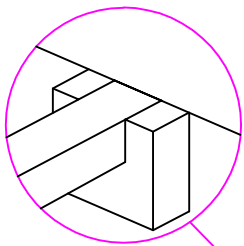


Diagram II

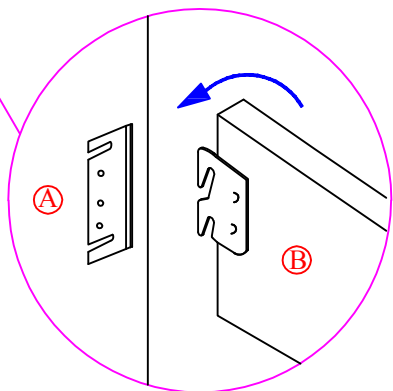


Diagram III

