

All Restoration Hardware beds are designed to meet the highest safety standards and comply with all U.S. and Canadian beds and beds regulations.

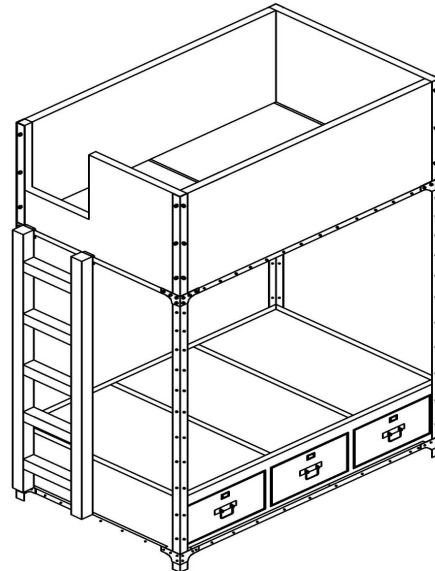
Made in India

Model No.#105284 BMTLFULL

Description: INDUSTRIAL LOCKER
STORAGE BUNK BED MTL FULL

Distributed in the USA by
Restoration Hardware
11640 Harrel St, Suite B
Mira Loma CA 91752
rhhbabyandchild.com

Distributed in Canada by :
Restoration Hardware Canada Inc.
1500-1055 West Georgia Street,
Vancouver, British Columbia V6E 4N7



WARNING: Read all Instructions before assembling this product. **KEEP INSTRUCTIONS FOR FUTURE USE.**

CUSTOMER SERVICE

If you are missing parts or have any questions about this product, contact us first. You can also order parts by writing to the address above. Include the product model number, color, and a brief description of the part. Call 1-800-762-1751.

CARE AND CLEANING

DO NOT scratch or chip the finish. **DO NOT** use abrasive chemicals for cleaning. Dust often using a clean, soft dry cloth. If the Bunk bed is to be stored, store in a cool dry place and carefully package all original hardware to protect from loss.

IMPORTANT SAFETY INFORMATION FOR BUNK BED

1. Follow the information on the WARNINGS appearing on the upper bunk and structure and on the carton. DO NOT REMOVE WARNING LABEL FROM BED.
2. Always use the specified size mattress on upper bunk or mattress support, or both to help prevent the likelihood of entrapment or falls.
3. Surface of mattress must be at least 5" below the upper edge of guardrails on the top bunk.
4. Do not allow children under 6 years of age to use the upper bunk.
5. Prohibit more than one person on upper bunk.
6. Periodically check and ensure that the guardrails, ladder and other components are in their proper position, free from damage, and that all connectors are tight.
7. Do not allow horseplay on or under the bed and prohibit jumping on the bed.
8. Always use the ladder for entering and leaving the upper bunk.
9. Do not use substitute parts. Contact Restoration Hardware for replacement parts.
10. Use of a night light may provide added safety precaution for a child using the upper bunk.
11. Use guardrails on both sides of the upper bunk.
12. If the bunk bed will be placed next to a wall, the guardrail that runs the full length of the bed should be placed against the wall to prevent entrapment between the bed and the wall.
13. The use of water flotation mattresses is prohibited.
14. STRANGULATION HAZARD - Never attach or hang items on any part of the bunk bed that are not designed for use with the bed; for example, but not limited to, hooks, belts, and jump ropes.
15. Keep the instructions for future reference.

WARNING:

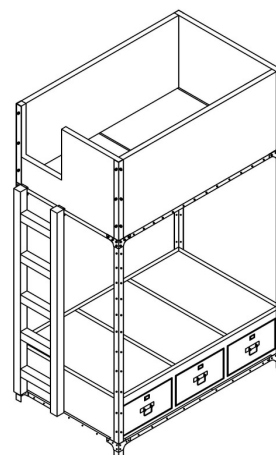
TO HELP PREVENT SERIOUS OR FATAL INJURIES FROM ENTRAPMENT OR FALLS:

1. NEVER ALLOW A CHILD UNDER 6 YEARS ON UPPER BUNK.
2. USE ONLY MATTRESS WHICH IS 74"-75" LONG AND 52.5"-53.5"WIDE ON UPPER BUNK (FULL SIZE).
3. USE ONLY MATTRESS WHICH IS 74"-75" LONG AND 52.5"-53.5"WIDE ON LOWER BUNK (FULL SIZE).
4. ENSURE THICKNESS OF MATTRESS ON TOP BUNK DOES NOT EXCEED 9" AND MATTRESS SURFACE IS AT LEAST 5 INCHES BELOW UPPER EDGE OF GUARD RAILS.
5. USE GUARD RAILS ON BOTH SIDES OF UPPER BUNK.
6. PROHIBIT HORSEPLAY ON OR UNDER BED(S)
7. PROHIBIT MORE THAN ONE PERSON ON UPPER BUNK.
8. USE LADDER FOR ENTERING AND LEAVING UPPER BUNK.
9. IF THE BUNK BED WILL BE PLACED NEXT TO A WALL THE GUARD RAIL THAT RUNS THE FULL LENGTH OF THE BED SHOULD BE PLACED AGAINST THE WALL TO PREVENT ENTRAPMENT BETWEEN THE BED AND THE WALL.

STRANGULATION HAZARD:

- NEVER ATTACH OR HANG ITEMS TO ANY PART OF THE BUNK BED THAT ARE NOT DESIGNED FOR USE WITH THE BED, FOR EXAMPLE BUT NOT LIMITED TO HOOKS, BELTS AND JUMP ROPES.

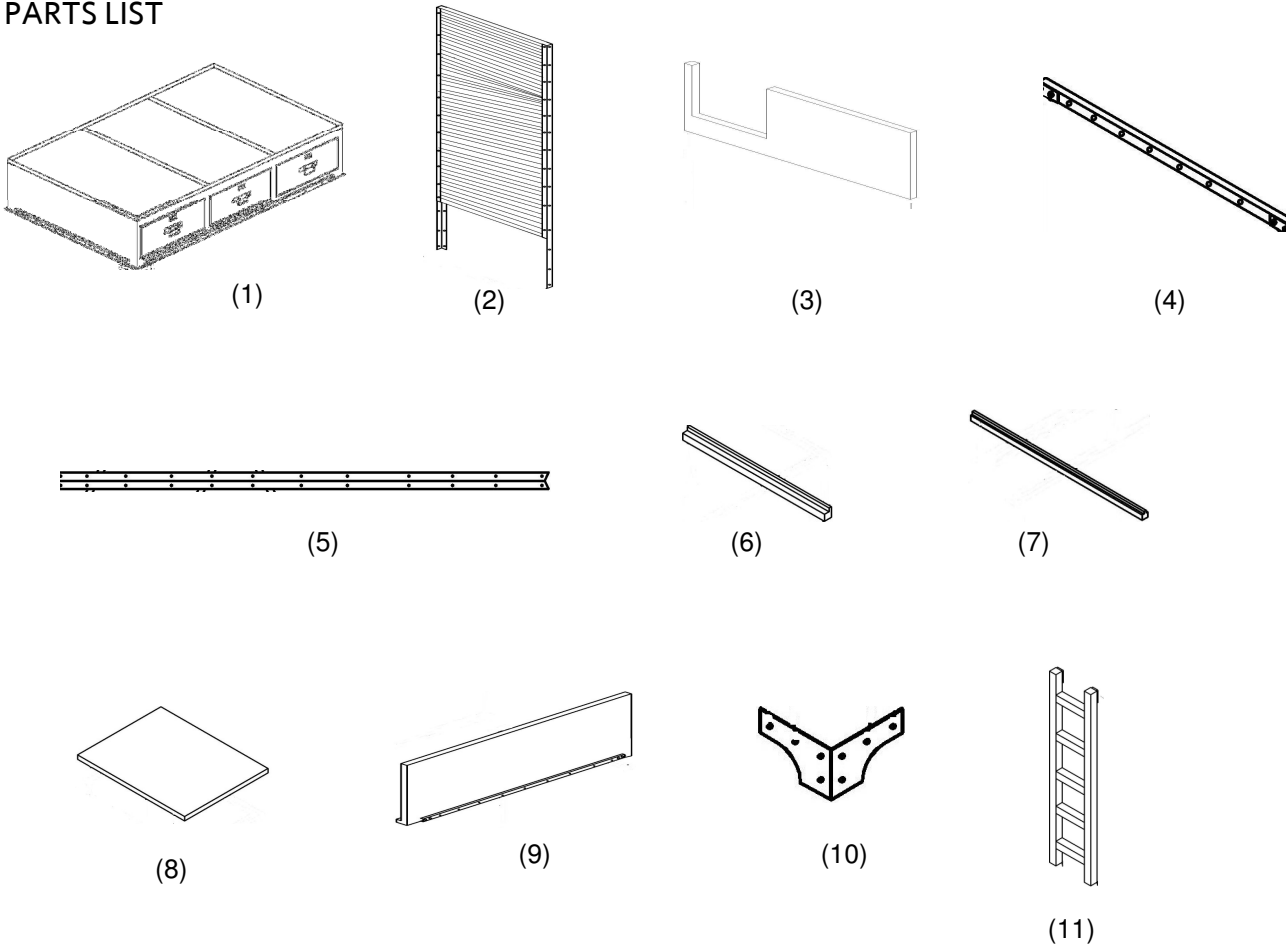
-DO NOT REMOVE THIS LABEL.



ASSEMBLY INSTRUCTIONS

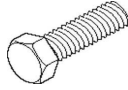



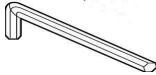

Please note, the Ladder End Panel on the Upper Bunk is interchangeable to allow placement of the Ladder on either end of the Bunk.

PARTS LIST



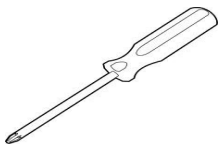
- (1) Complete Lower Bunk Bed Box - 1 pc.
- (2) Headboard With 2 Leg Posts - 1 pc.
- (3) Top Bunk Ladder End Panel (Interchangeable) - 1 pc.
- (4) Ladder End Panel Metal Connecting Rail - 1 pc.
- (5) Ladder End Metal Posts - 2 pcs.
- (6) Top Bunk Stretcher End Bars (wooden) - 2 pcs.
- (7) Top Bunk Stretcher Bar Mid Supports (wooden) - 2 pcs.
- (8) Top Platform Panel - 3 pcs.
- (9) Top Bunk Side Guardrail - 2 pcs.
- (10) Metal Connector Brackets - 8 pcs.
- (11) Metal Ladder - 1 pc.

HARDWARE LIST

No.	ITEM	DESCRIPTION	QUANTITY
A		Hexagonal Bolt.	64 pcs.
B		Hex Wrench.	1 pc.
C		Short Allen Bolt 30mm L	2 pcs.
D		Long Allen Bolts 65mm L	8 pcs.
E		Allen Key 4mm	1 pc.
F		Short Screw 8x19mm	36 pcs.

TOOLS NEEDED

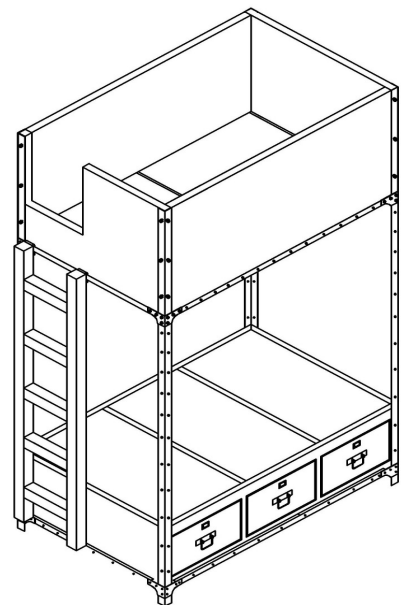
Philips Head Screwdriver (Not Included)



ASSEMBLY INSTRUCTIONS

NOTE:

- Bed must be assembled by at least two people
- Please read instructions carefully before assembling bed.
- Use the above parts and fittings list to identify each component.
- Keep all packing material until assembly is complete to avoid loss of smaller parts.
- Do not completely tighten all bolts until all steps are finished.
- It may be helpful to use 2 wood blocks underneath the lower Bunk Bed Box (1) to keep Bed Box off the ground during assembly (not provided).

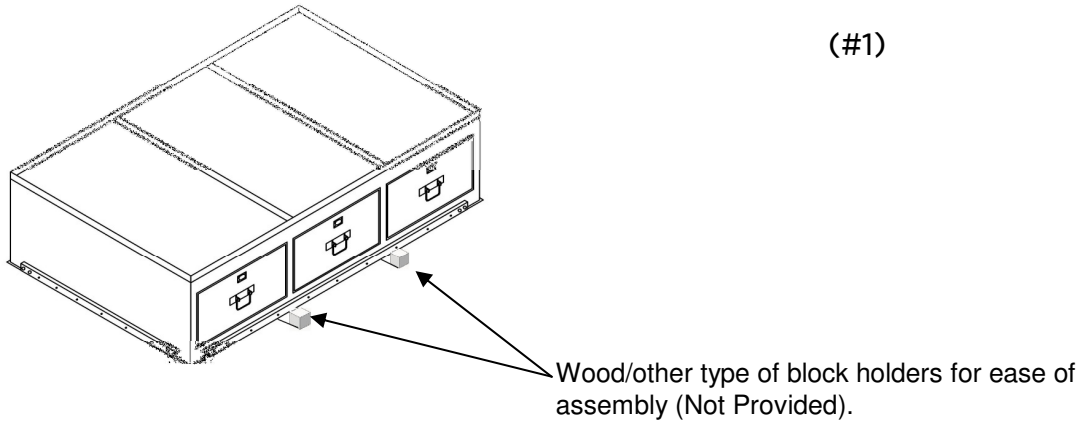


ASSEMBLY INSTRUCTIONS

STEP 1:

Place the Bottom Bunk Box (1) on the 2 x optional wood support blocks for easier assembly. See Detail 1.

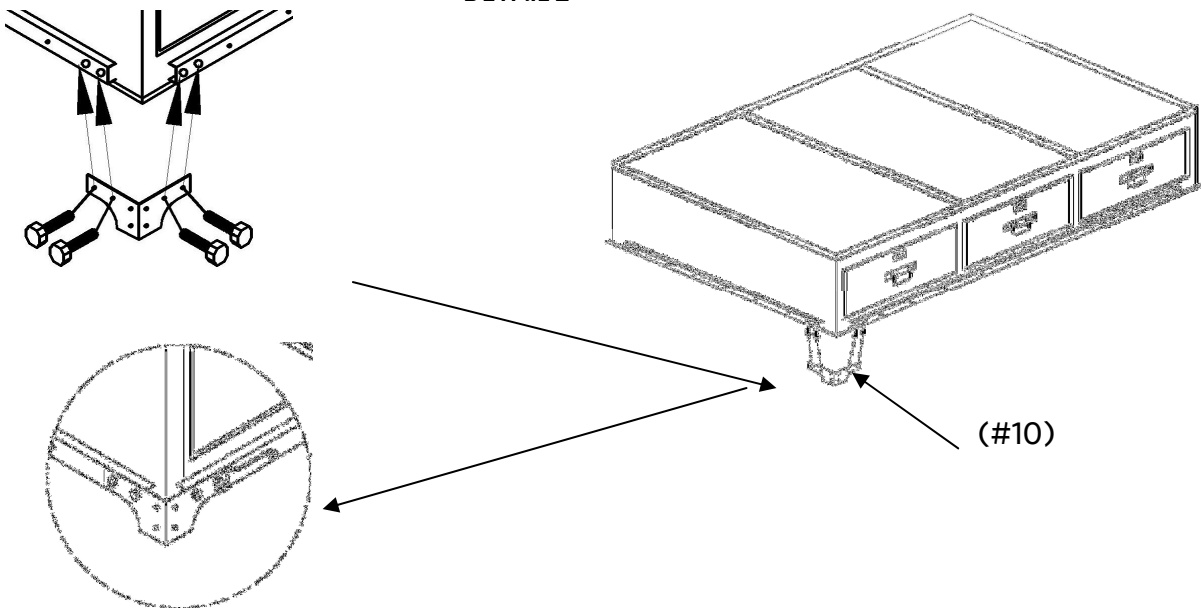
DETAIL 1



STEP 2:

Connect Metal Connector Brackets (#10) as shown at the four corners of the bottom bunk bed using 4 Hexagonal Bolts (A) and Hex Wrench (B) provided. Please do not completely tighten the bolts until final assembly is complete. See Detail 2.

DETAIL 2



ASSEMBLY INSTRUCTIONS

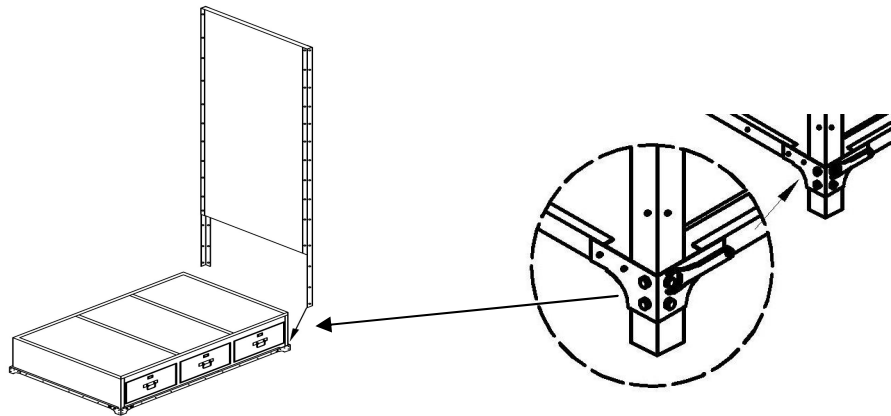
STEP 3:

The ladder can be placed on either end of the bunk.

Decide on which end of the bunk you want to position the ladder and attached Headboard (2) to the opposite end.

Attach the Headboard with 2 Leg Posts (2) to Lower Bunk Bed Box (1). Insert the bottoms of the Leg Posts on Headboard (2) into the corners of the Metal Connector Brackets (10) and fix the legs using 4 Hexagonal Bolts (A) on each bracket with Hex Wrench (B) provided. Please do not completely tighten the bolts until final assembly is complete. See Detail 3 below.

DETAIL 3

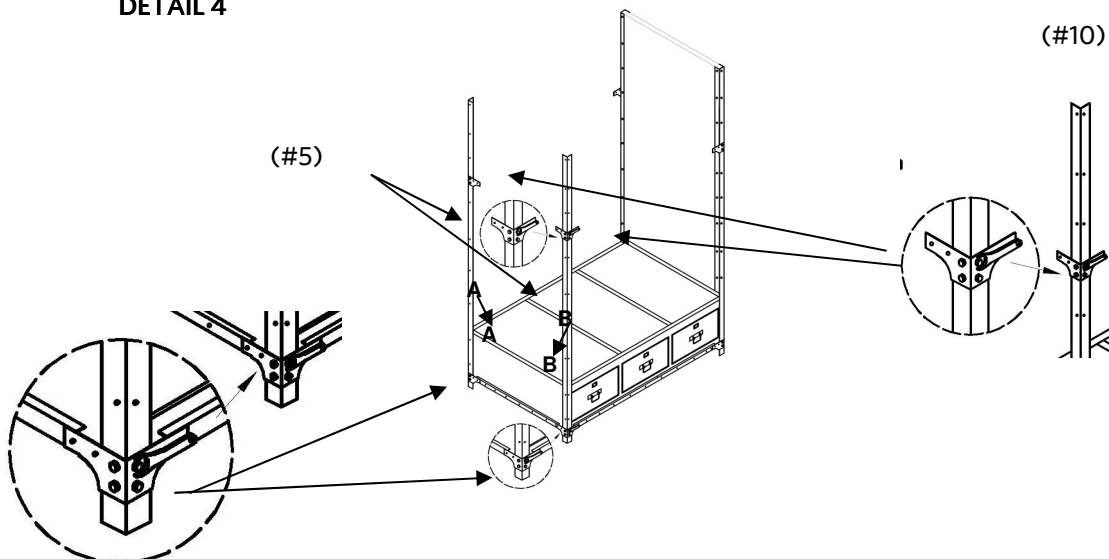


STEP 4:

On the opposite end of the Bunk, insert Ladder End Posts (5) into the corners of the Metal Connector Brackets (please make sure to match the marked labels AA/BB on leg posts/bottom bunk)

(10) on the Lower Bunk Bed Box (1). Fix in place using 4 Hexagonal Bolts (A) on each bracket and Hex Wrench (B) provided. Then, connect 1 Metal Connector Bracket (10) to each Ladder End Post (5) using 4 Hexagonal Bolts (A) on each bracket and Hex Wrench (B) provided. See Detail 4 below.

DETAIL 4

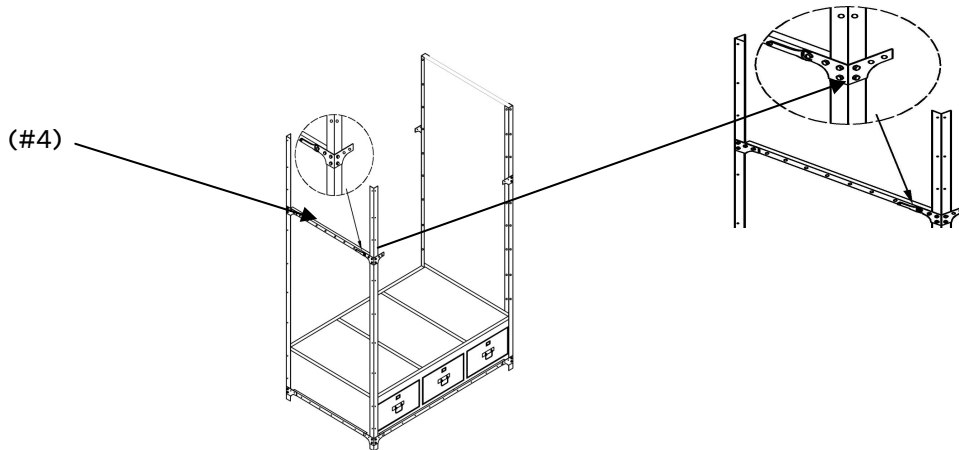


ASSEMBLY INSTRUCTIONS

STEP 5:

Attach the Ladder End Panel Connecting Rail (4) to the Metal Connector Brackets fixed on the Ladder End Posts (5) using 2 Hexagonal Bolts (C) and Hex Wrench (B) provided. See Detail 5

DETAIL 5

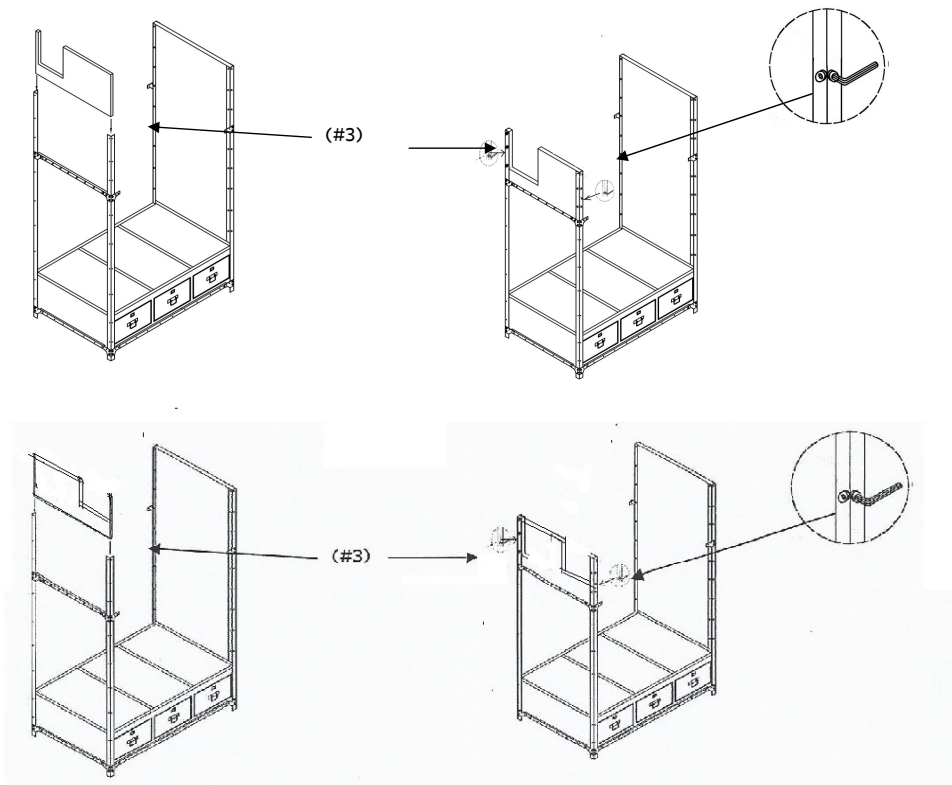


STEP 6:

Top Bunk Ladder End Panel (3) is reversible, allowing you to position the ladder towards the back of the bunk or close to the front of the bunk, depending on your preference.

Insert the Top Bunk Ladder End Panel (3) into the Ladder End Posts (5) as shown and fix in place with 2 Short Allen Bolts 30mm (C) and Allen Key (E). See Detail 6.

DETAIL 6

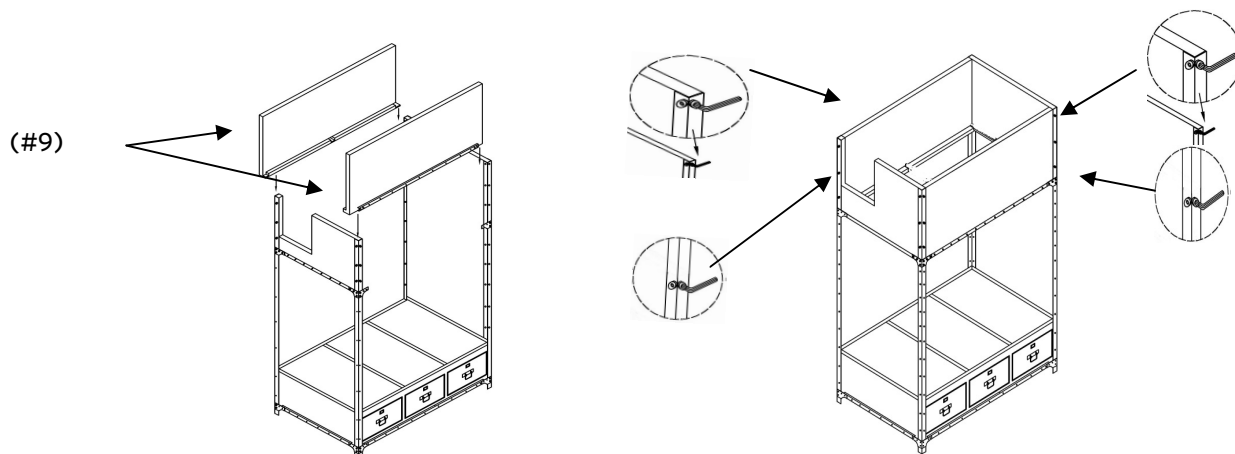


ASSEMBLY INSTRUCTIONS

STEP 7:

Attach the Top Bunk Side Guardrails (9) one at a time as shown below in Detail 7. Align each Top Bunk Side Guardrail with the inside of the Ladder End Post (5) and Headboard with 2 Leg Posts (2). Fix in place using 8 Long Allen Bolts (D) and Allen Key (E). Return to tighten all bolts on Bunk to a snug fit. Do not over tighten. .

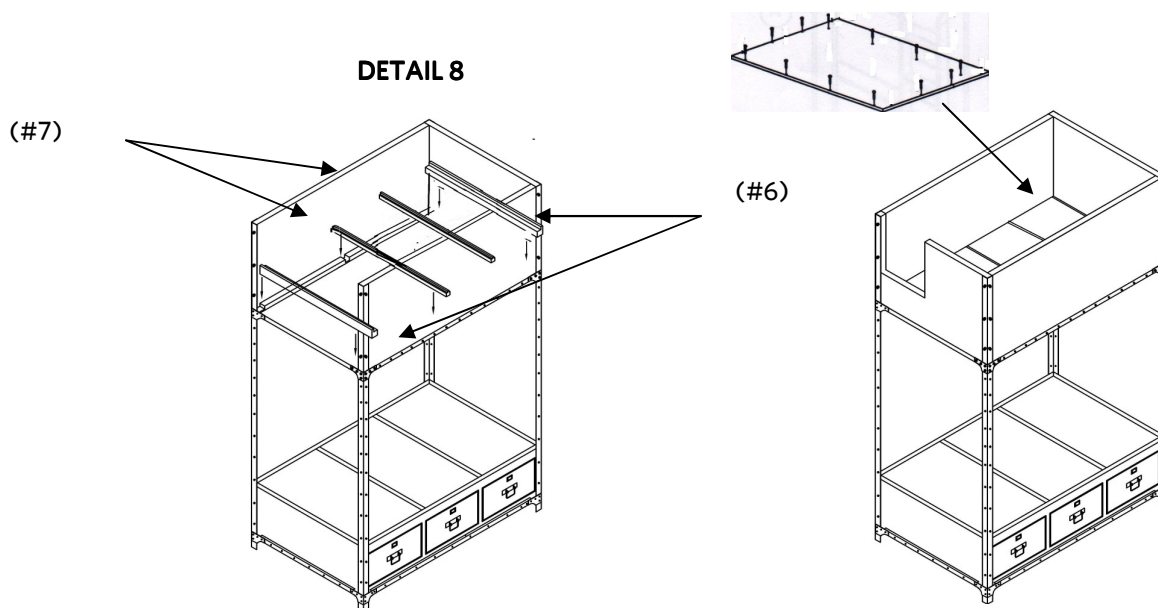
DETAIL 7



STEP 8:

Lay the Top Bunk Stretcher End Bars (6) on either end of the Bunk between the Top Bunk Side Guardrails (9). Position the Top Bunk Stretcher Bar Mid Supports (7) in between the End Bars (2). See Detail 8. Secure all 5 Stretcher Bars (6, 7) using Short Screws (F) and Phillips Head Screwdriver (not provided.) Then, lay the Top Platform Panels (8) on top of the Stretcher Bars (6, 7), and secure using Short Screws (F) and Phillips Head Screwdriver (not provided).

DETAIL 8

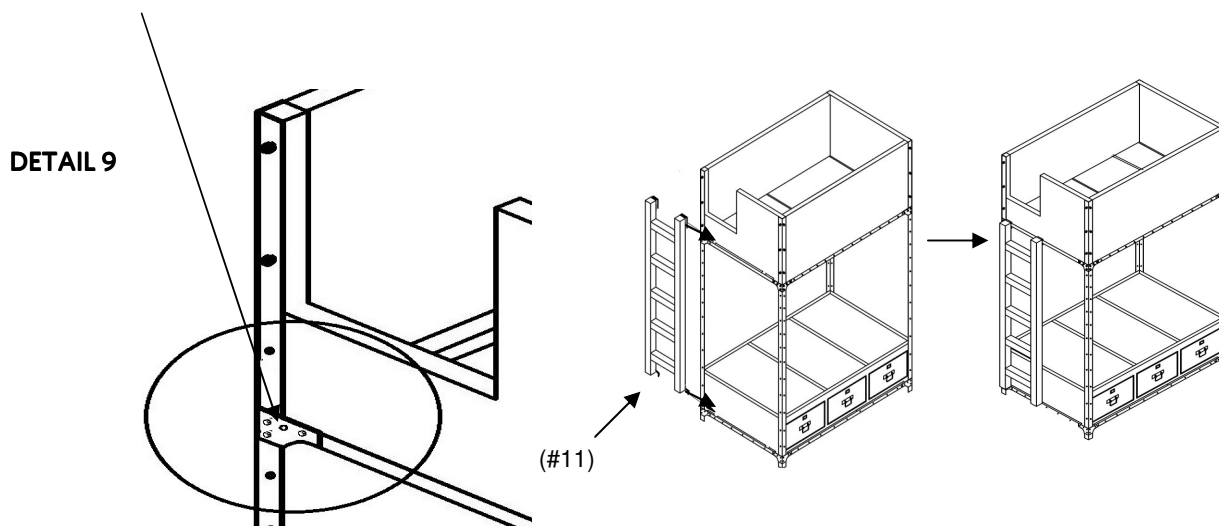


ASSEMBLY INSTRUCTIONS

STEP 9:

Hook the Metal Ladder (#11) to the top of the Ladder End Panel Metal Connecting Rail (#4) and the Complete Lower Bunk Bed Box (#1), below ladder opening in the Top Bunk Ladder End Panel (#3).

IMPORTANT: The center Hexagonal Bolt (A) will need to be removed from the top joint behind the ladder (See Detail 9).



STEP 10:

The following size mattress and Foundations are specified for use with this Bunk Bed:

UPPER BUNK MATTRESS DIMENSIONS:

Upper Bunk Bed - 74-75" L x 52.5-53.5" W x 9" H

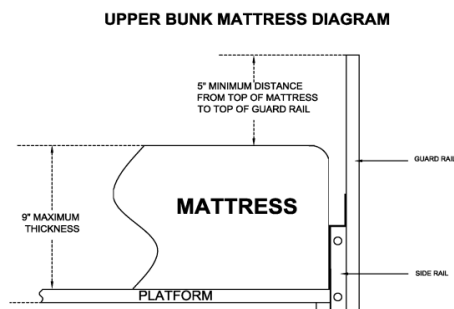
UPPER BUNK PLATFORM :

Consists of 3 pcs Platform 55" L x 23" W x 3/4" H

-Note : MATTRESS THICKNESS MUST NOT EXCEED MAX 9"

Be sure to adhere to these BEDDING SPECIFICATIONS in order to avoid the possibility of falling or entrapment. THESE SPECIFICATIONS MUST BE STRICTLY ADHERED TO!

DETAIL 10



Thank you for your purchase
www.rhbabyandchild.com