

ANTIQUÉ STEAMER TRUNK STORAGE DESK



WARNING : ADULT ASSEMBLY ONLY OWING TO THE PRESENCE OF SMALL PARTS, SHARP POINTS AND EDGES

CUSTOMER SERVICE

If you are missing parts or have any questions about this product please contact us at : 1-800-762-1751

WARNING






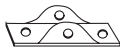
Young children may be injured by tipping furniture so proper installation of the mounting hardware for this item is highly recommended. When properly installed, this mounting hardware could provide protection against the unexpected tipping of the furniture piece. This product is only a deterrent. It is not a substitute for proper adult supervision.

CARE INSTRUCTIONS

1. Dust often using a clean, soft, dry lint-free cloth.
2. Blot spills immediately.
3. We do not recommend the use of chemical cleansers, abrasives, or furniture polish.

TOOLS NEEDED

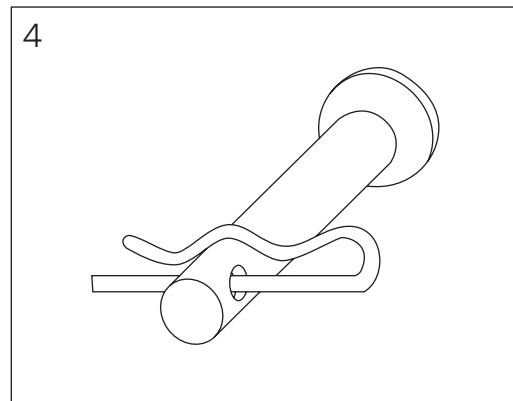
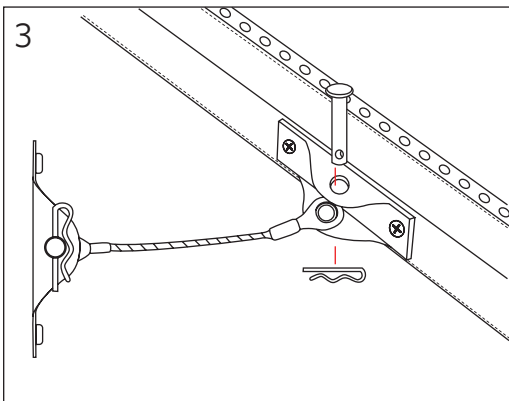
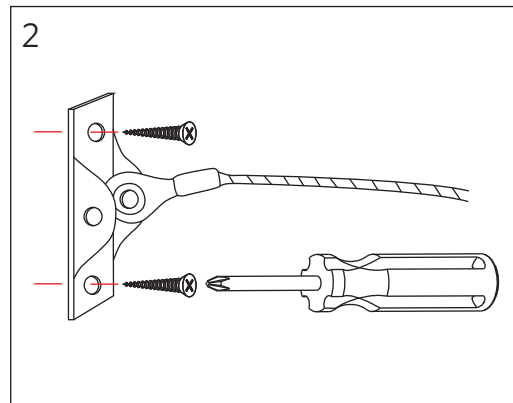
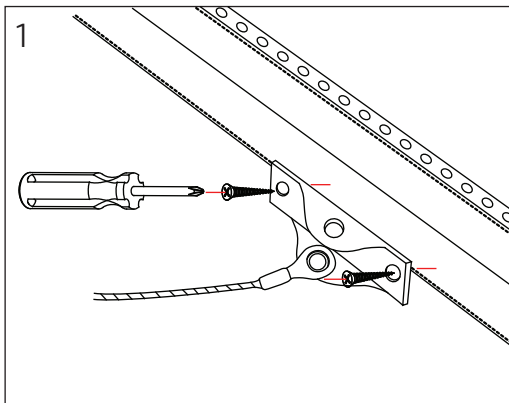
Phillips head screwdriver (not included)

NO.	ITEM	DESCRIPTION	QTY.
1		Screw 1 1/2"	2 pcs.
2		Screw 5/8"	2 pcs.
3		Steel Cable	1 pc.
4		Hair Pin	2 pcs.
5		Pin	2 pcs.
6		Bracket	2 pcs.

FURNITURE TIPPING RESTRAINT INSTRUCTIONS

ASSEMBLY INSTRUCTIONS

1. Determine the final position of the furniture piece. Fix one of the brackets horizontally onto the center back side of the furniture piece. Attach to furniture on the leather trim area with the 5/8" screws. See Figure 1 below.
2. Drill starter holes into the wall stud at the level of the bracket on the furniture piece. See Figure 2. Always attach to stud wherever possible. Fix the bracket to the wall stud using the 1 1/2" screws.
3. Move furniture piece in line with bracket installed on the wall. Place one end of the steel cable through each of the brackets and insert the pins as shown in Figure 3. Make sure that the pin goes through the holes of the steel cable and both holes of the bracket.
4. Install hairpins into holes at bottom of each pin.



Thank you for your purchase

www.rhbabyandchild.com