

RH BABY & CHILD

CALLUM 6-DRAWER TWIN & FULL STORAGE CANOPY BED INSTRUCTIONS

PARTS INCLUDED:

- A [1] HEADBOARD PANEL
- B [2] HEADBOARD POST
- C [2] FOOTBOARD POST
- D [2] SIDE DRAWER FRAME
- E [2] SHORT SIDE RAIL
- F [2] STORAGE BASE
- G [1] SLAT ROLL
- H [8] SUPPORT LEG
- I [2] LONG CANOPY RAIL
- J [2] SHORT CANOPY RAIL

TOOLS NEEDED:














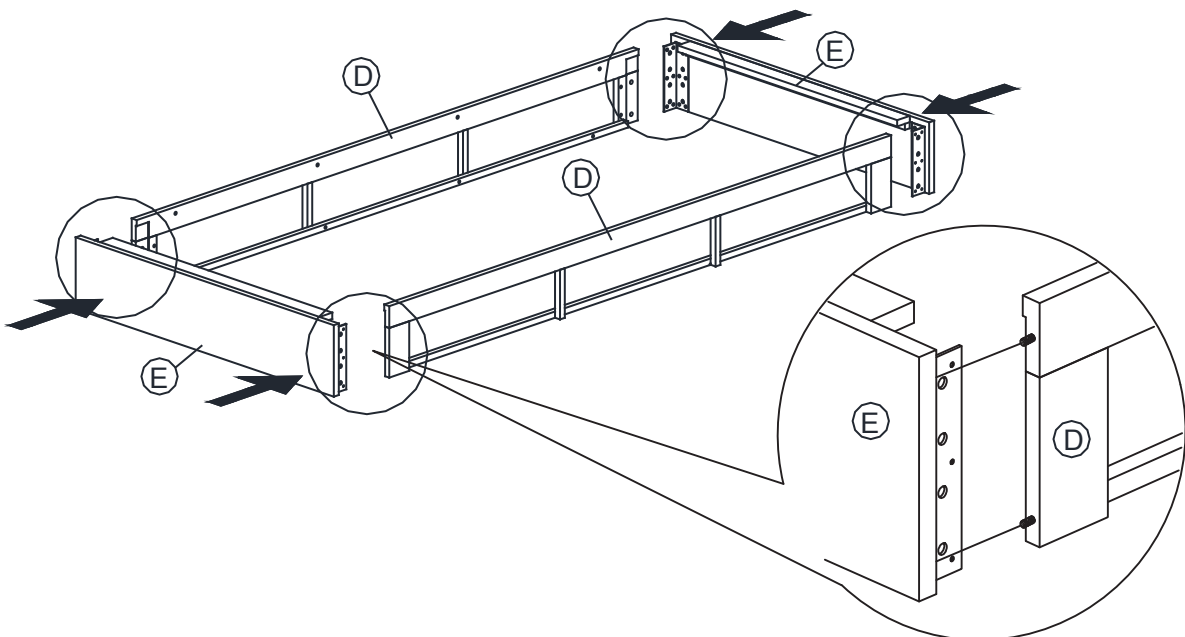
Phillips Head Screwdriver (not included)

ASSEMBLY INSTRUCTIONS:

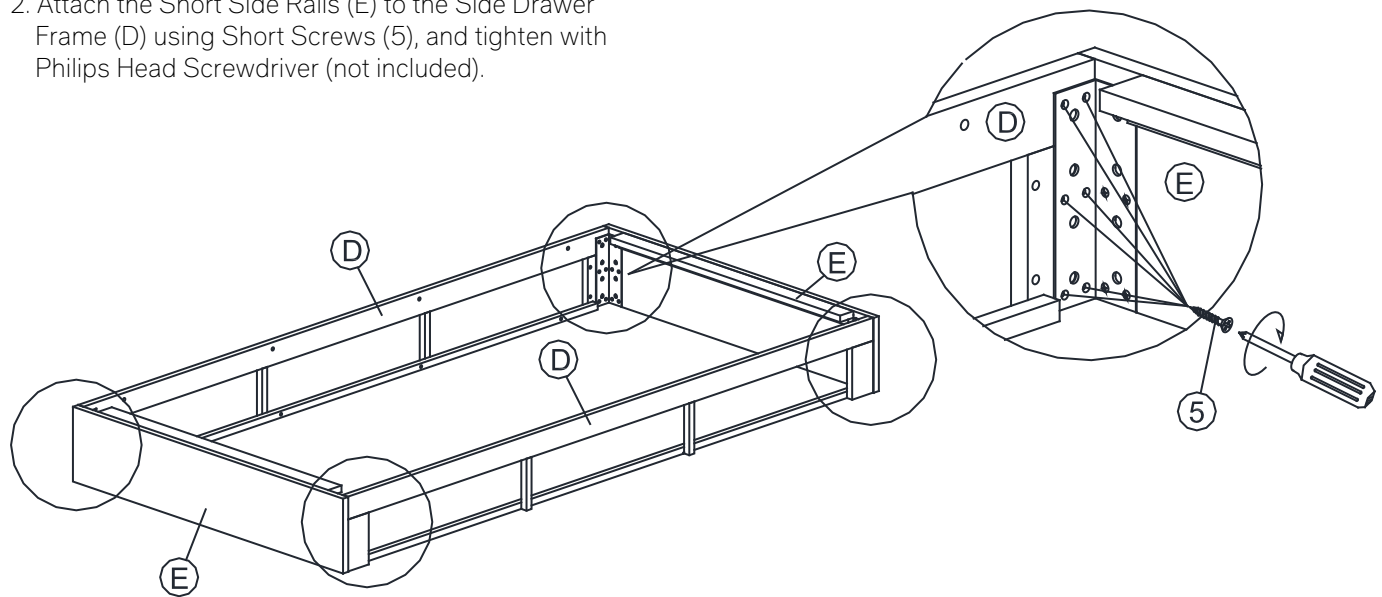
Note: Two adults are recommended to assemble this bed.

1. Attach the Side Drawer Frame (D) to the Short Side Rails (E).

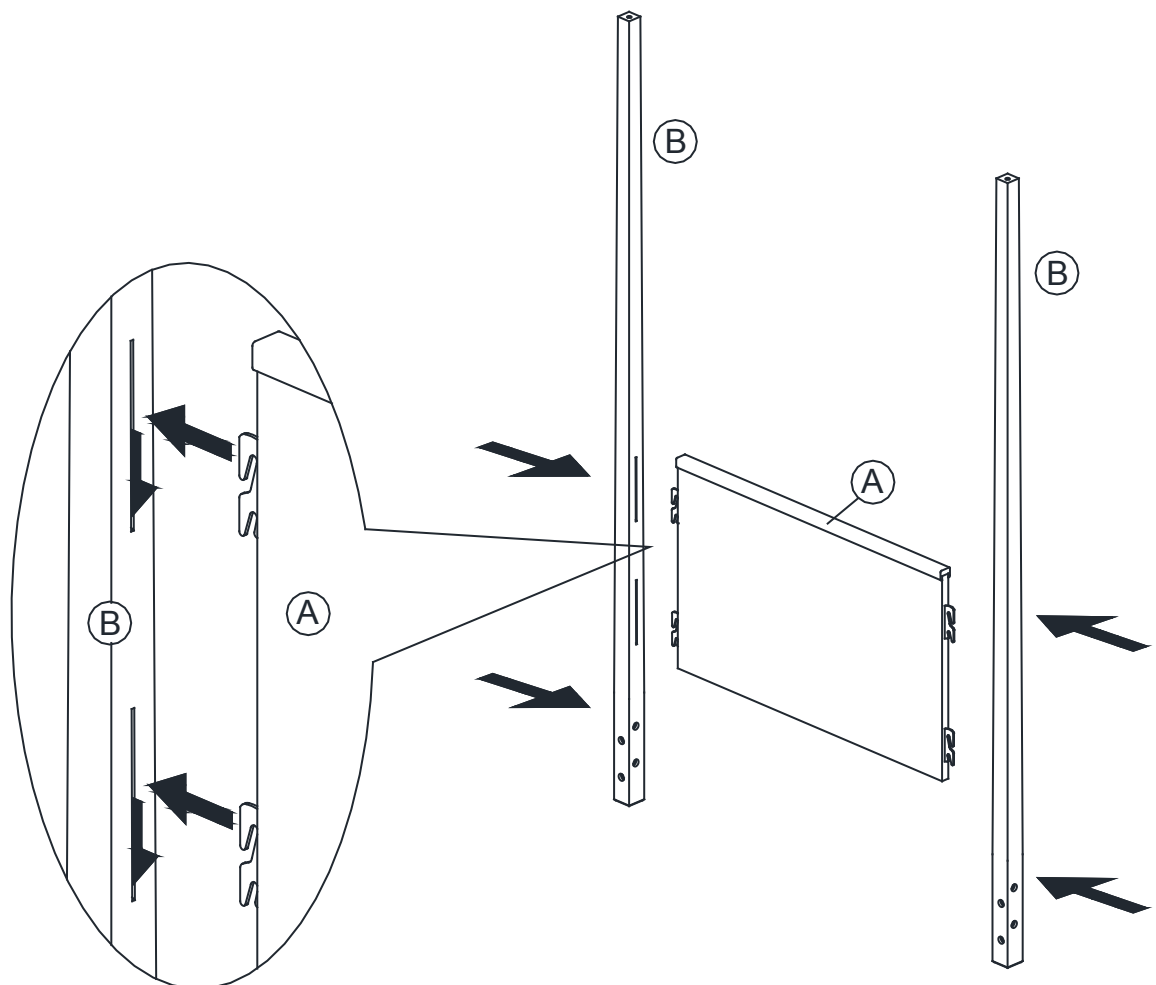
NO.	ITEM	DESCRIPTION	QTY.
1		Long Bolt 5/16" x 2-1/4"	20 pcs.
2		Flat Washer 5/16"	20 pcs.
3		Spring Washer 5/16"	20 pcs.
4		Long Screws M8 x 30mm	4 pcs.
5		Short Screw M8 x 15mm	20 pcs.
6		Allen Key 4mm	1 pc.
7		Connecting Bolt 6mm	12 pcs.
8		Camlock Wheel	12 pcs.
9		Small Bolt 1/4" x 1-1/4"	8 pcs.
10		Flat Washer 1/4"	8 pcs.
11		Spring Washer 1/4"	8 pcs.



2. Attach the Short Side Rails (E) to the Side Drawer Frame (D) using Short Screws (5), and tighten with Philips Head Screwdriver (not included).



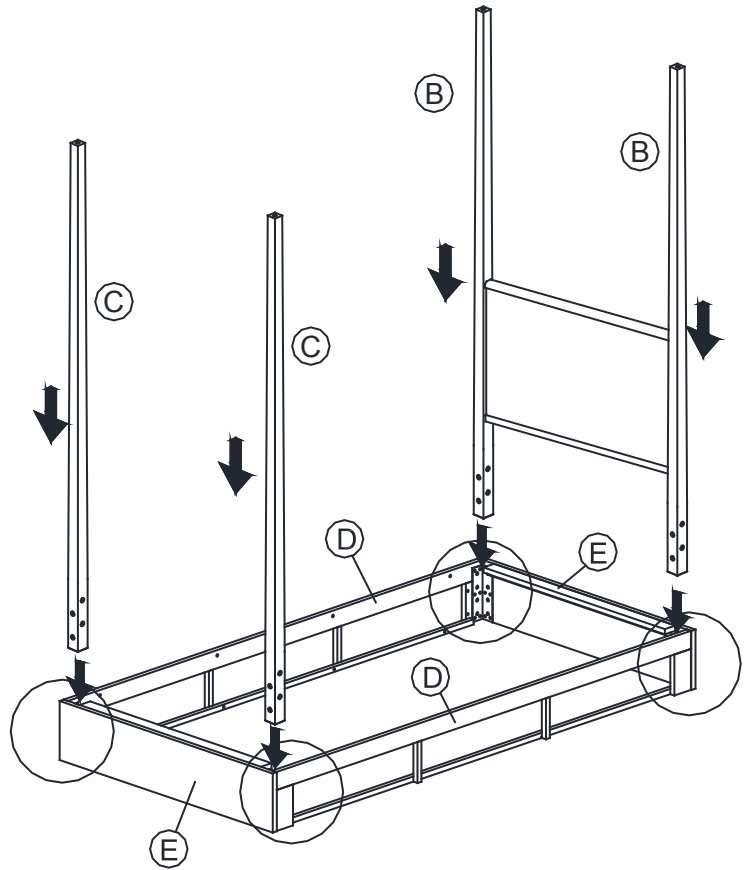
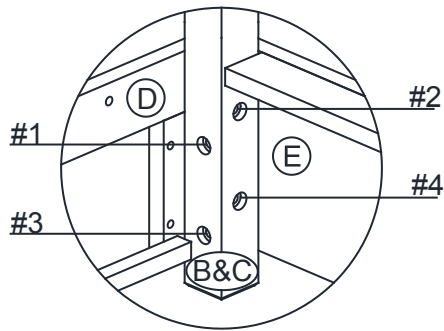
3. Place the hooks of the Headboard Panel (A) into the slots in the Headboard Post (B). If necessary, using a thick magazine or book to protect the Headboard Panel (A), hammer with a mallet or hammer until tight.



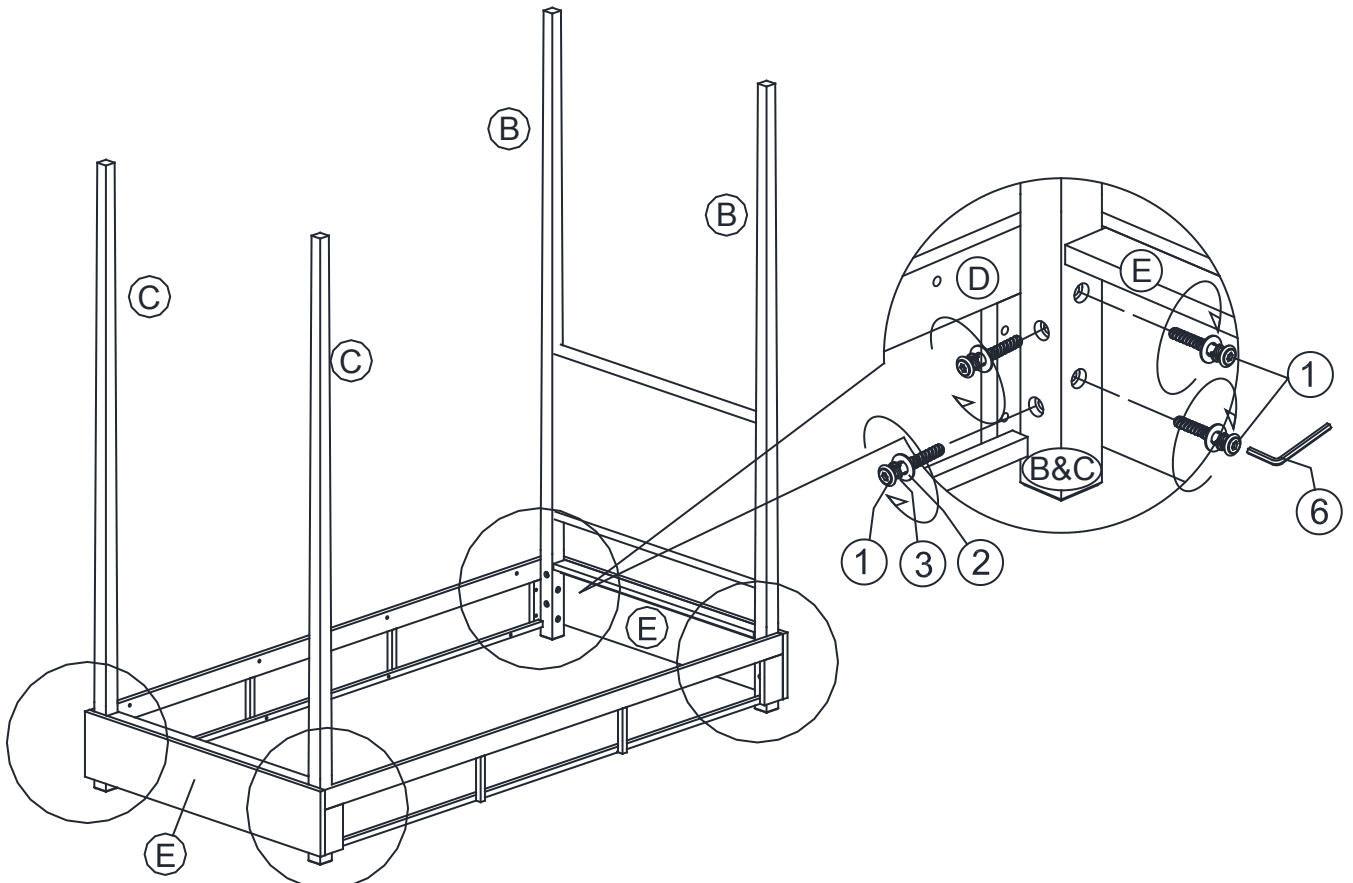
4. Attach the Headboard Posts (B) and Footboard Posts (C) to the Bed Base.

Note:

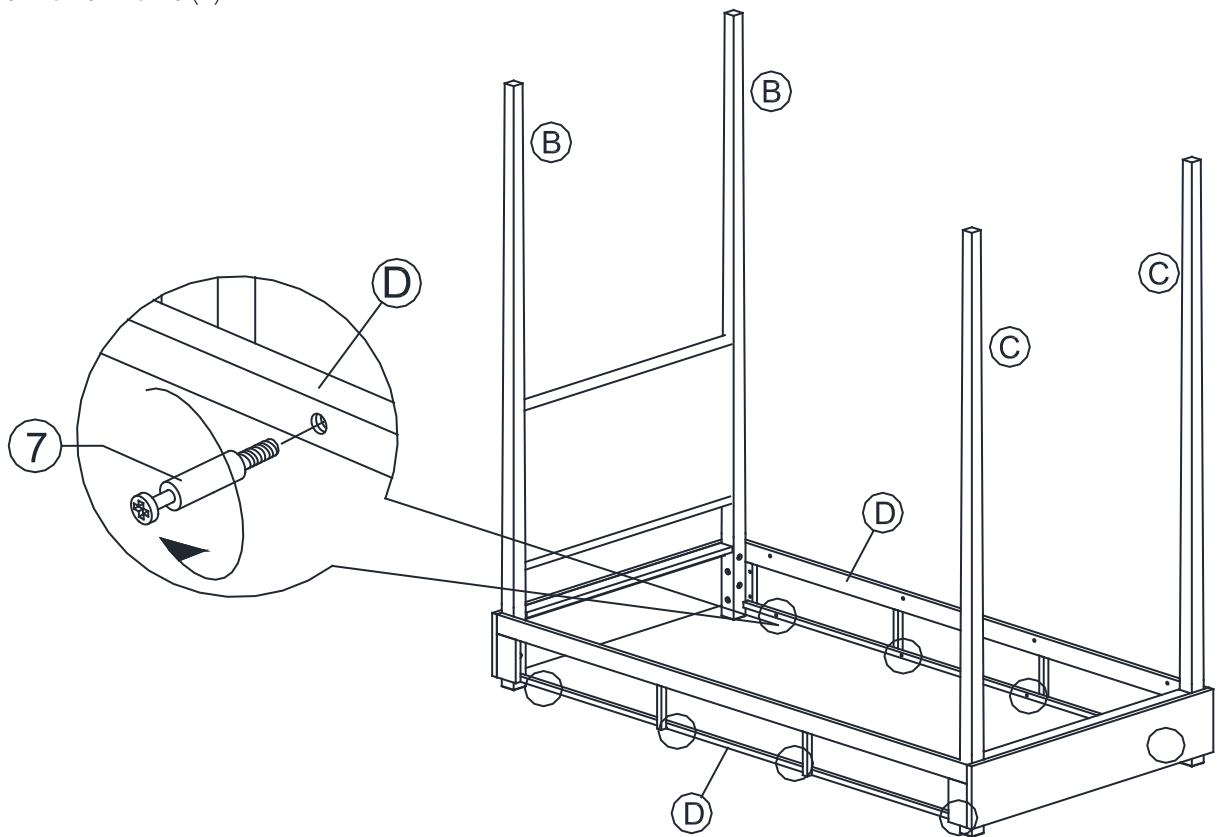
- Bolts on Headboard/ Footboard are located in the 1st and 3rd bolt locations.
- Bolts on the Side Rails are located in the 2nd and 4th hole locations.
- Repeat steps for all 4 corners.
- Footboard Posts are interchangeable.



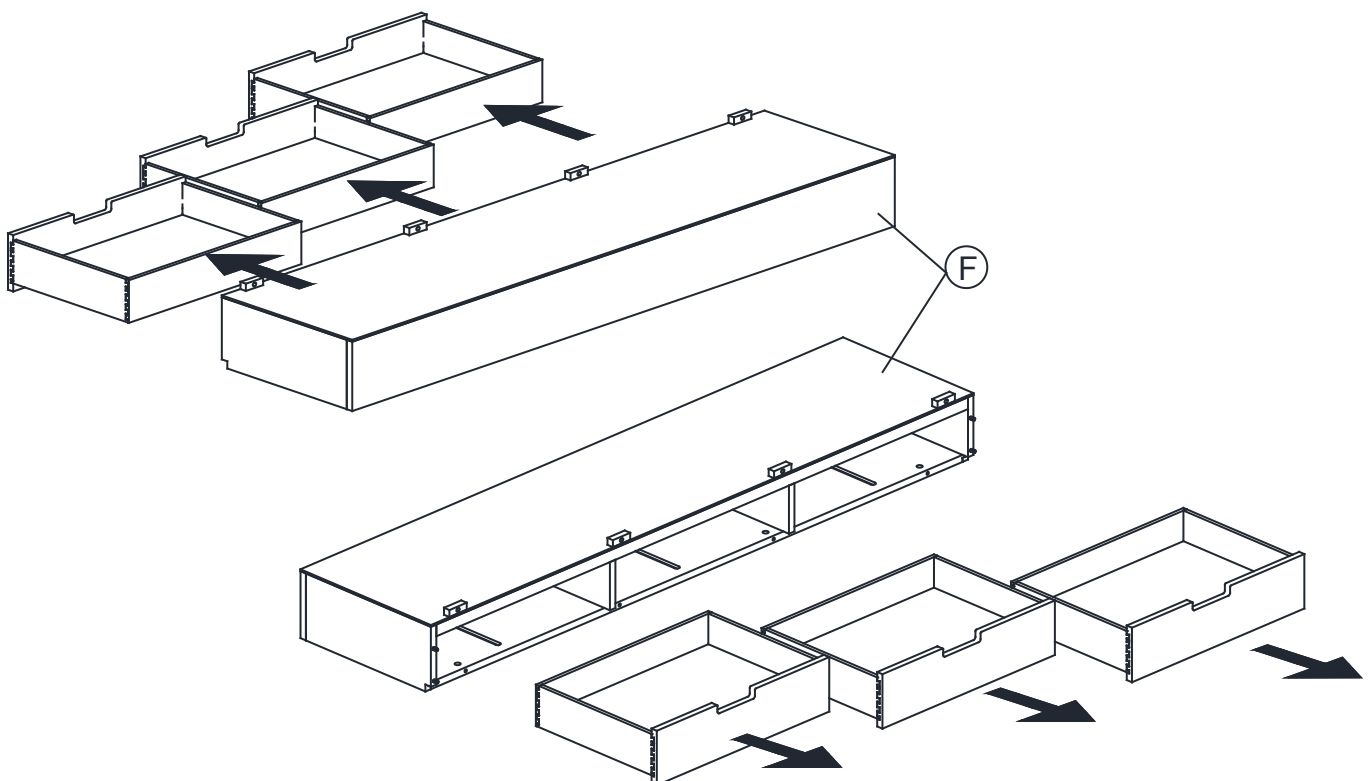
5. Insert Flat Washer (2), Spring Washer (3), and Long Bolt (1) and tighten with Allen Key (6).



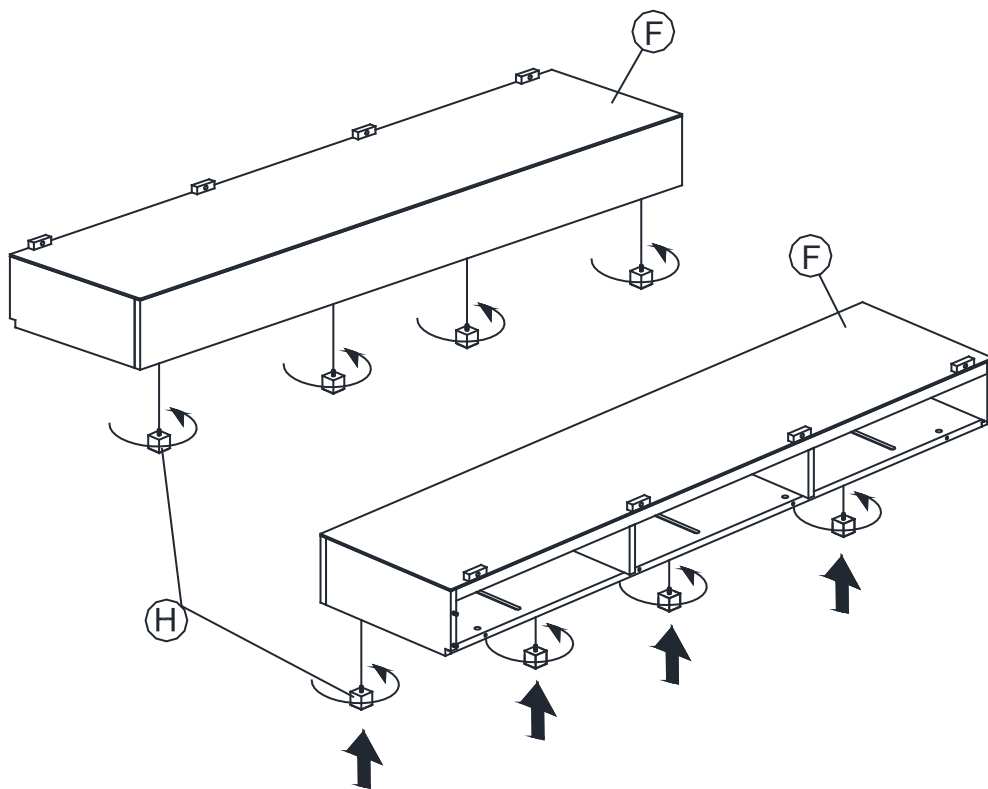
6. Insert the Connecting Bolt (7) into the bottom of the Side Drawer Frame (E).



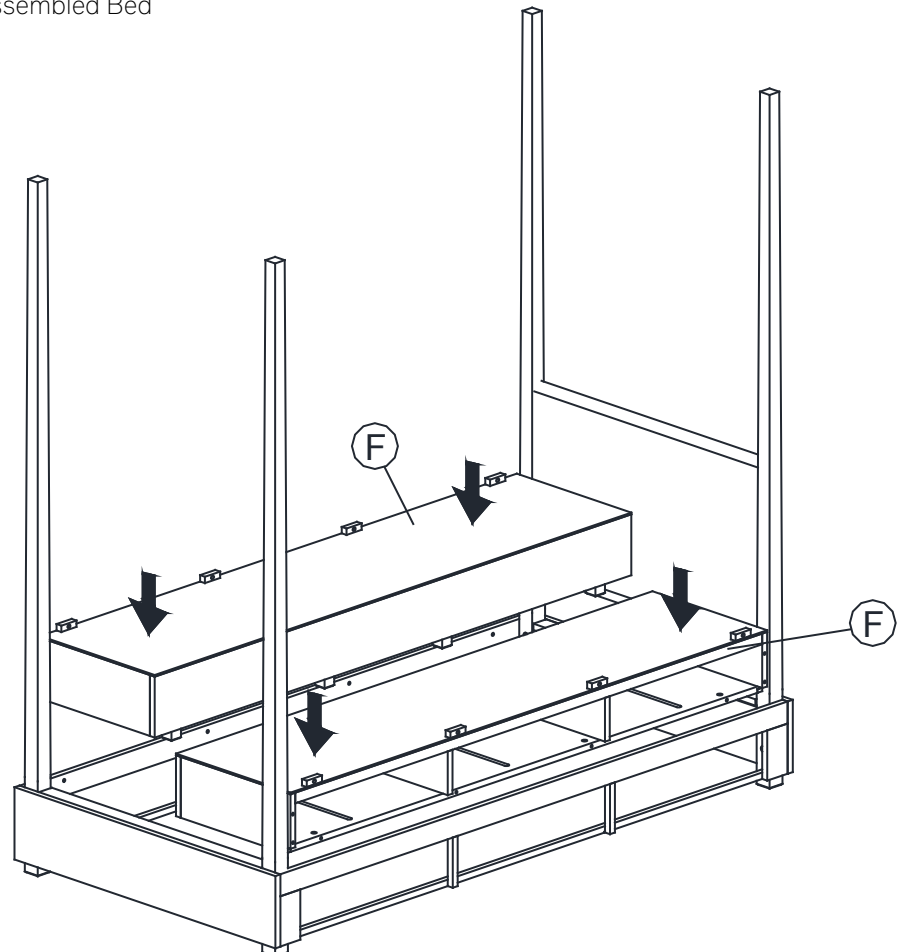
7. Please carefully pull the drawers out of the Storage Base (F) with force by pulling on the cut-outs on drawer fronts.



8. Attach the Support Legs (H) to the bottom of the Storage Base (F).

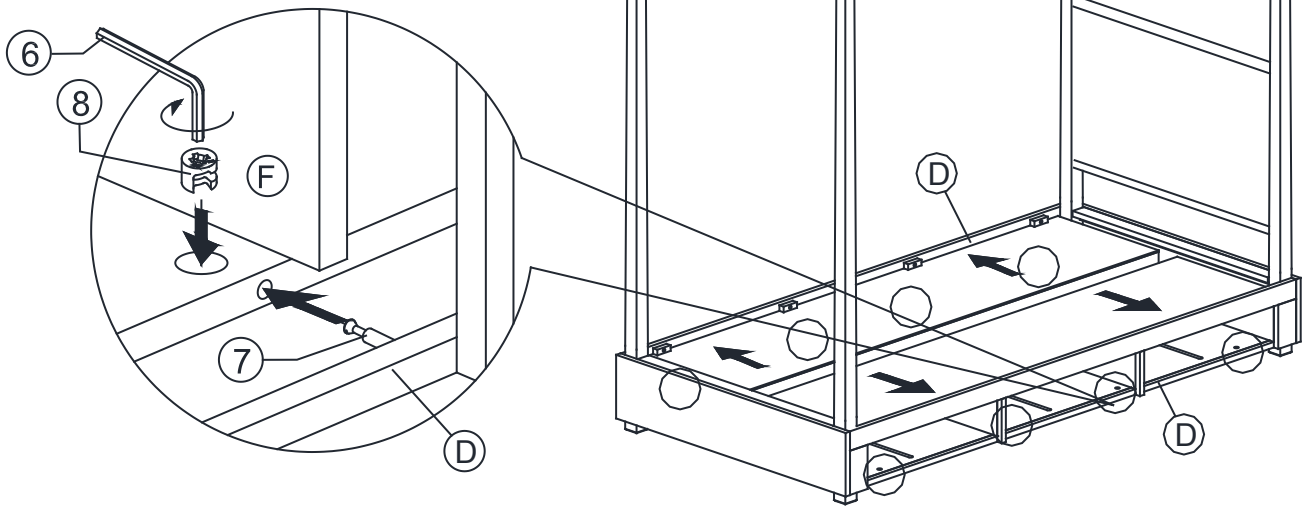


9. Lay the Storage Base (F) inside the assembled Bed Base.

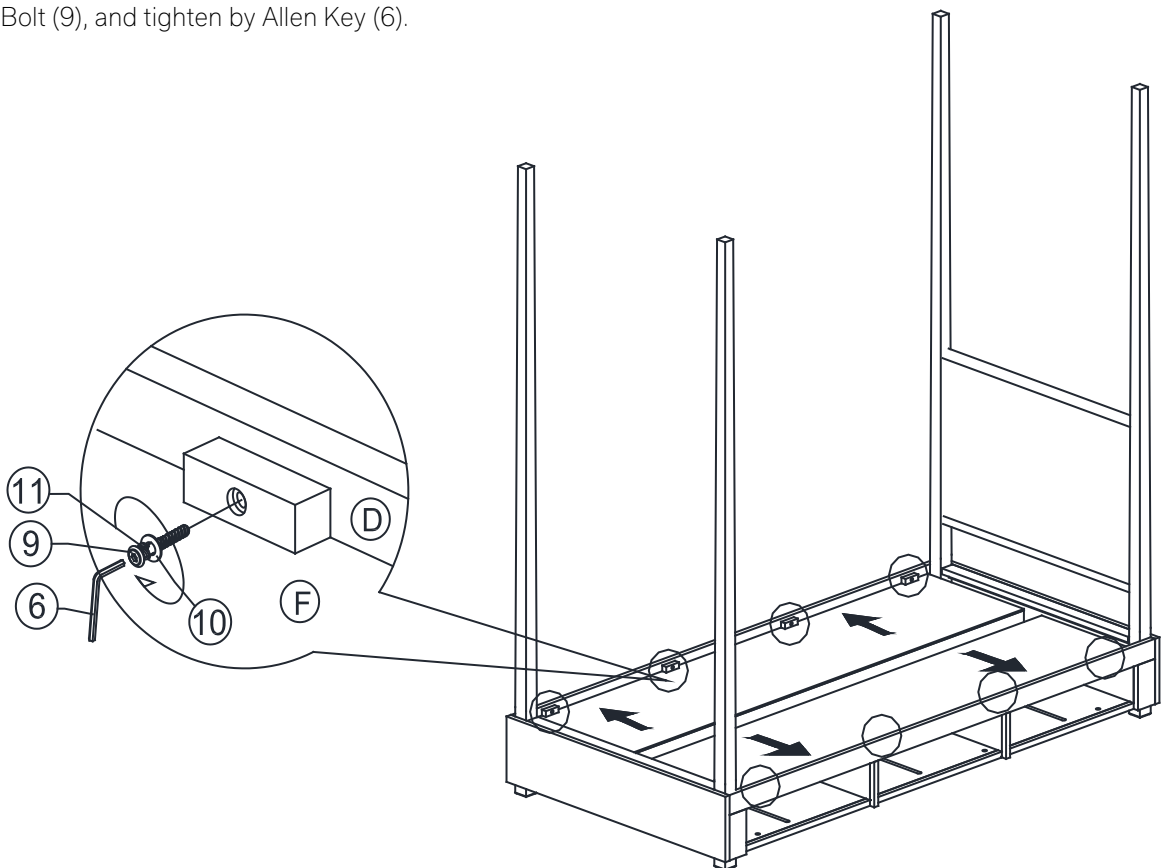


10. Attach the Storage Base (F) to the Side Drawer Frame (D). Place Camlock Wheel (8) into the holes inside of Storage Base (F) by aligning the arrow sign of the Camlock Wheel (8) to the Connecting Bolts (7) and twist to tighten clockwise using Allen Key (6).

Note: Slot on Camlock Wheel (8) faces outward.

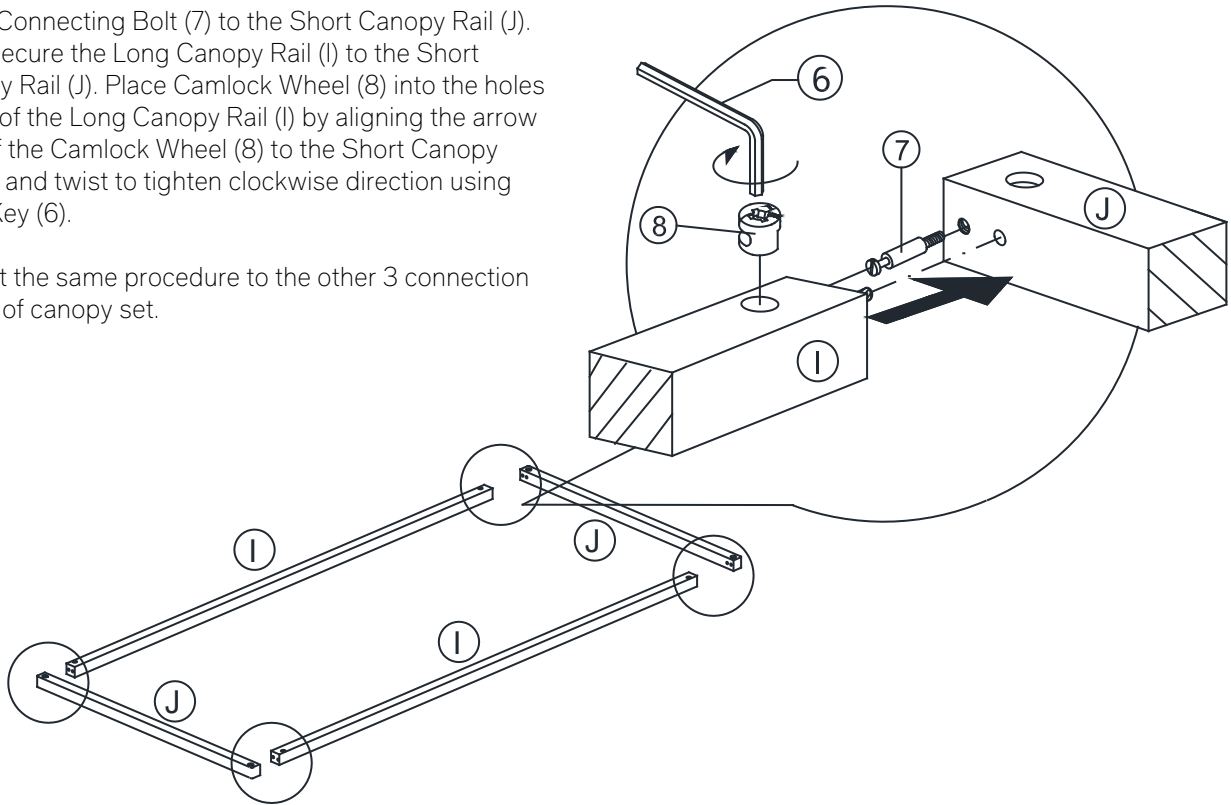


11. Attach the Storage Base (F) to the Side Drawer Frame (D) using Flat Washer (10), Spring Washer (11), and Small Bolt (9), and tighten by Allen Key (6).



12. Insert Connecting Bolt (7) to the Short Canopy Rail (J). Then secure the Long Canopy Rail (I) to the Short Canopy Rail (J). Place Camlock Wheel (8) into the holes inside of the Long Canopy Rail (I) by aligning the arrow sign of the Camlock Wheel (8) to the Short Canopy Rail (J) and twist to tighten clockwise direction using Allen Key (6).

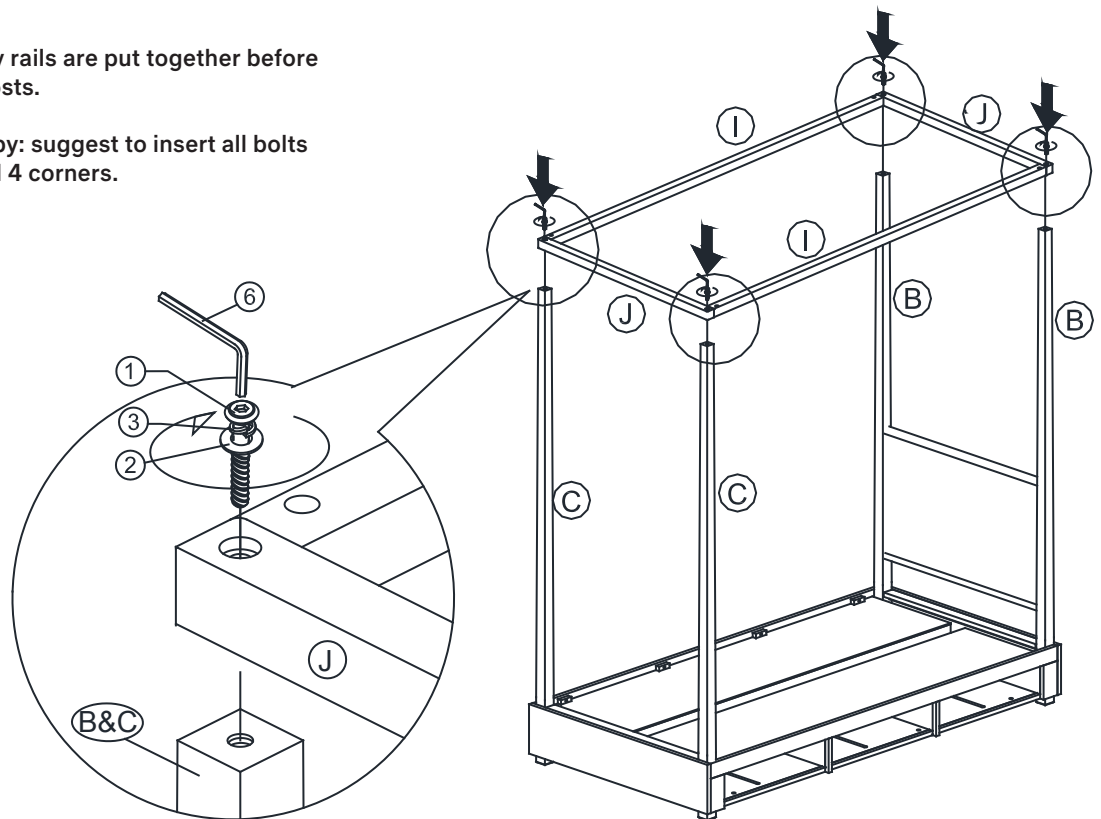
13. Repeat the same procedure to the other 3 connection points of canopy set.



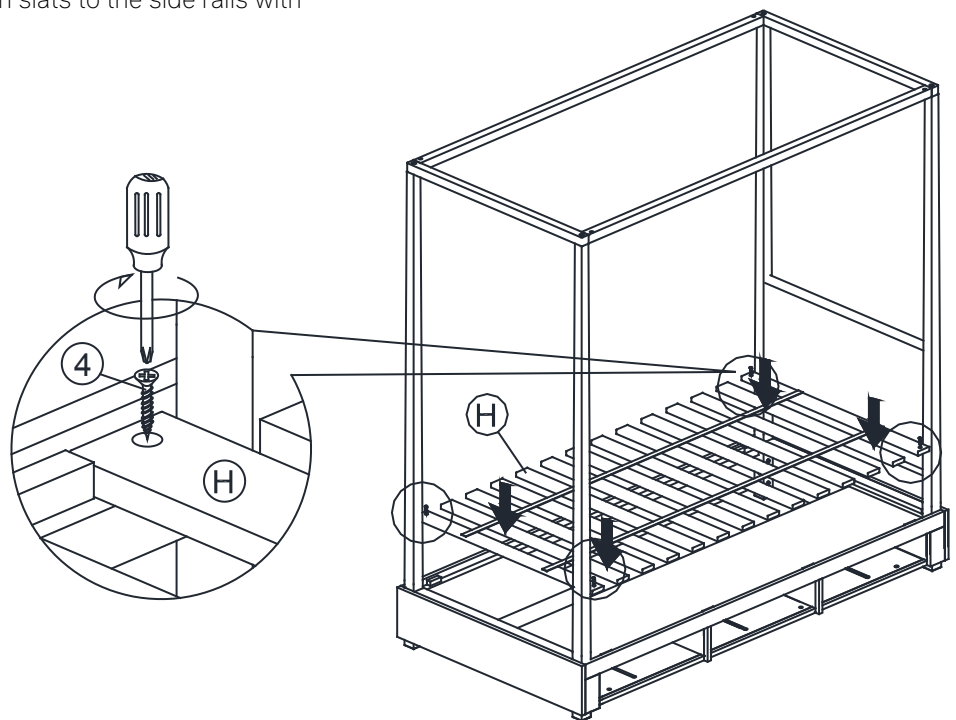
14. This final procedure should be done by two people working together to carefully lift assembled canopy and place on top of bed posts. Insert the Flat Washer (2), Spring Washer (3), Long Bolt (1) into the holes of Short Canopy Rails (J). Tighten with Allen Key (6).

ASSEMBLY ALERT

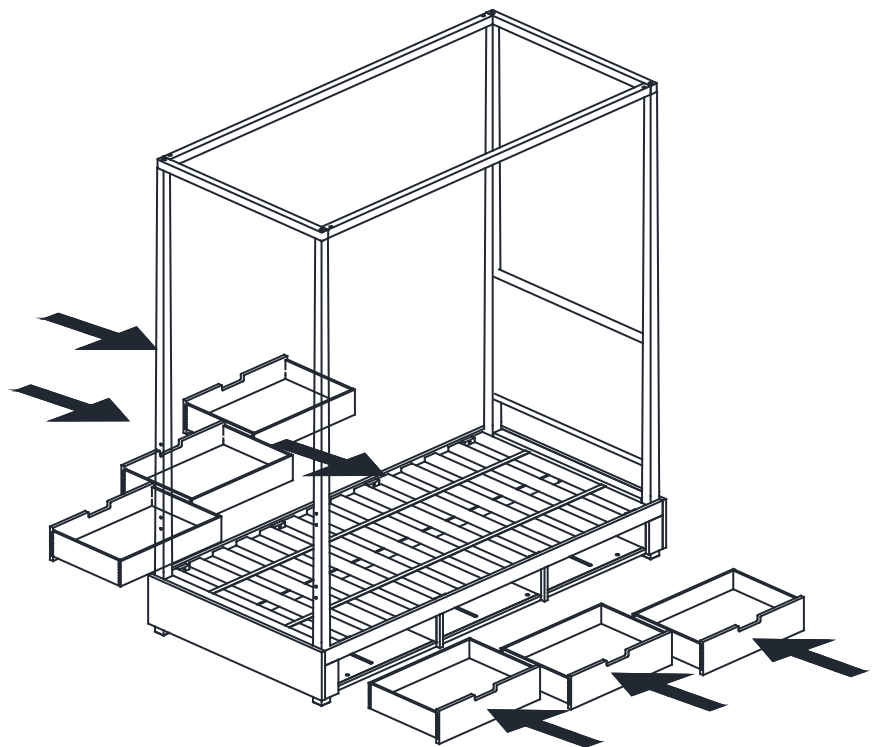
- Make sure the canopy rails are put together before place on top of the posts.
- Assembling the canopy: suggest to insert all bolts before fully tighten all 4 corners.



15. Lay the Slat Roll (G) in between the Side Drawer Frame (D), using Long Screws (4) to tighten slats to the side rails with a screwdriver.



16. Insert drawers into the Storage Base (F) and assembly is completed.



CARE INSTRUCTIONS:

1. Dust often using a clean, soft, dry lint-free cloth.
2. Blot spills immediately, and wipe with a clean, damp cloth.
3. We do not recommend the use of chemical cleansers, abrasives, or furniture polish on our lacquered finish.

RH BABY & CHILD

CALLUM 6-DRAWER QUEEN STORAGE CANOPY BED INSTRUCTIONS

PARTS INCLUDED:

A [1] HEADBOARD PANEL
 B [2] HEADBOARD POST
 C [2] FOOTBOARD POST
 D [2] SIDE DRAWER FRAME
 E [2] SHORT SIDE RAIL
 F [2] STORAGE BASE
 G [1] SLAT ROLL
 H [8] SUPPORT LEG
 I [2] LONG CANOPY RAIL
 J [2] SHORT CANOPY RAIL
 K [5] CENTER LEG

TOOLS NEEDED:














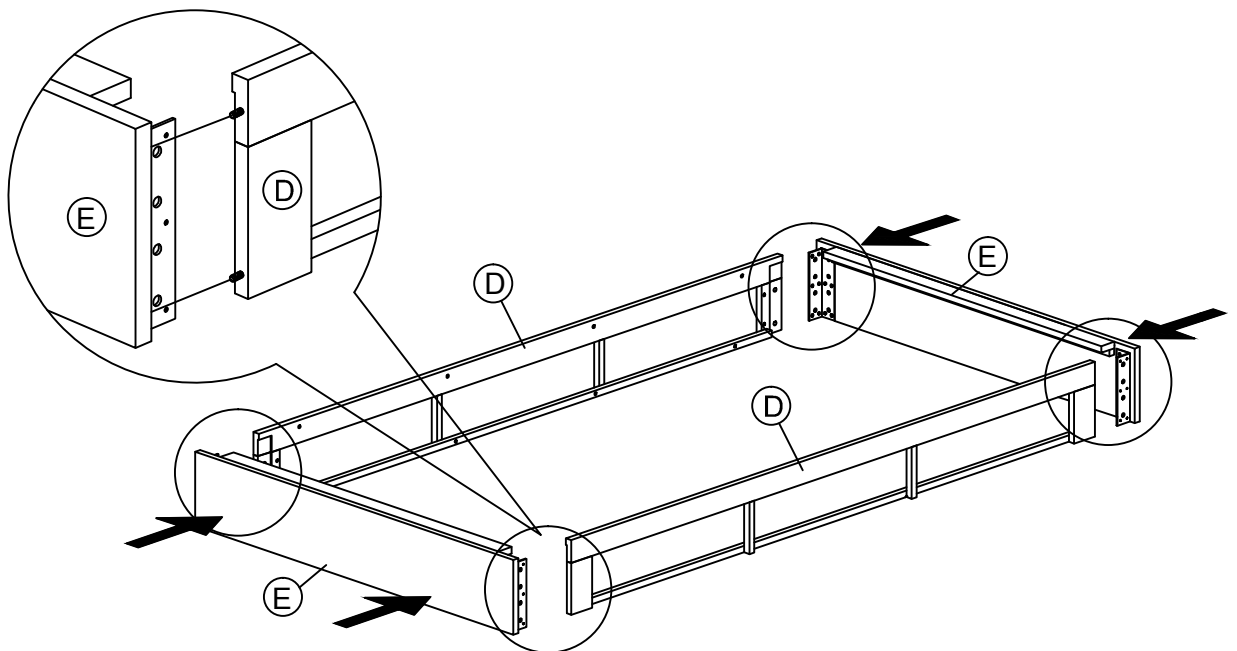
Phillips Head Screwdriver (not included)

ASSEMBLY INSTRUCTIONS:

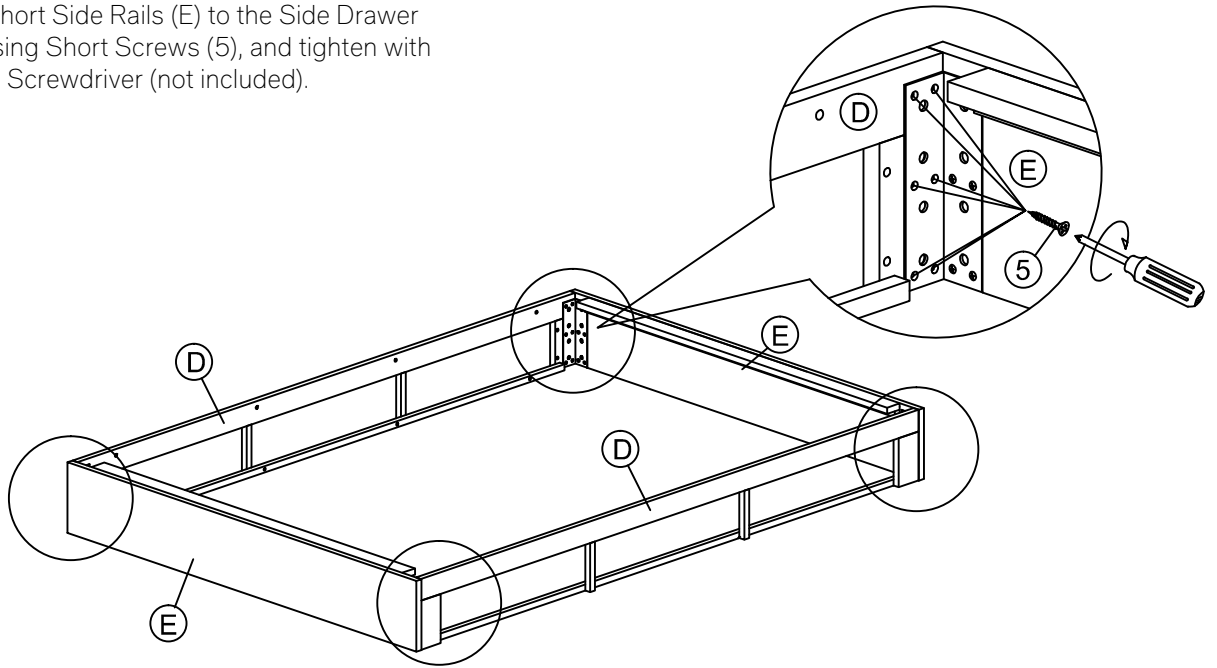
Note: Two adults are recommended to assemble this bed.

1. Attach the Side Drawer Frame (D) to the Short Side Rails (E).

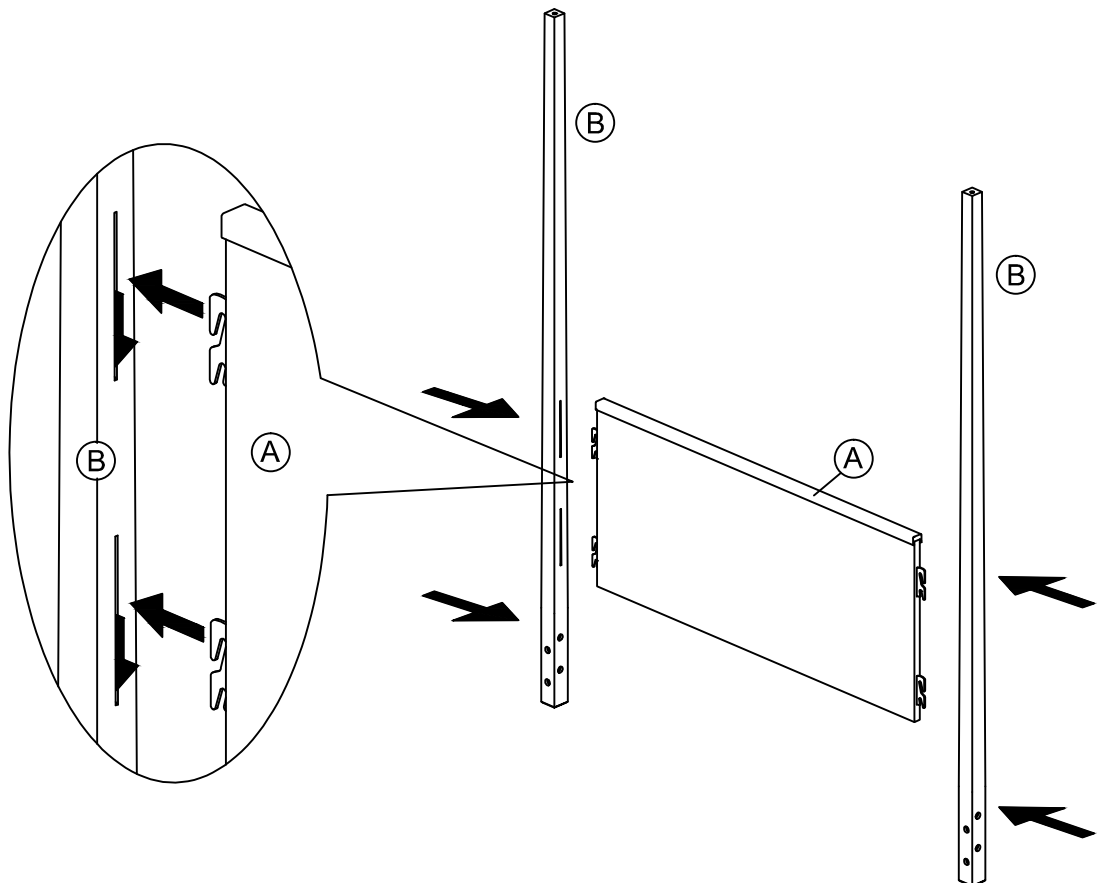
NO.	ITEM	DESCRIPTION	QTY.
1		Long Bolt 5/16" x 2-1/4"	20 pcs.
2		Flat Washer 5/16"	20 pcs.
3		Spring Washer 5/16"	20 pcs.
4		Long Screws M8 x 30mm	28 pcs.
5		Short Screw M8 x 15mm	20 pcs.
6		Allen Key 4mm	1 pc.
7		Connecting Bolt 6mm	12 pcs.
8		Camlock Wheel	12 pcs.
9		Small Bolt 1/4" x 1-1/4"	8 pcs.
10		Flat Washer 1/4"	8 pcs.
11		Spring Washer 1/4"	8 pcs.



2. Attach the Short Side Rails (E) to the Side Drawer Frame (D) using Short Screws (5), and tighten with Philips Head Screwdriver (not included).



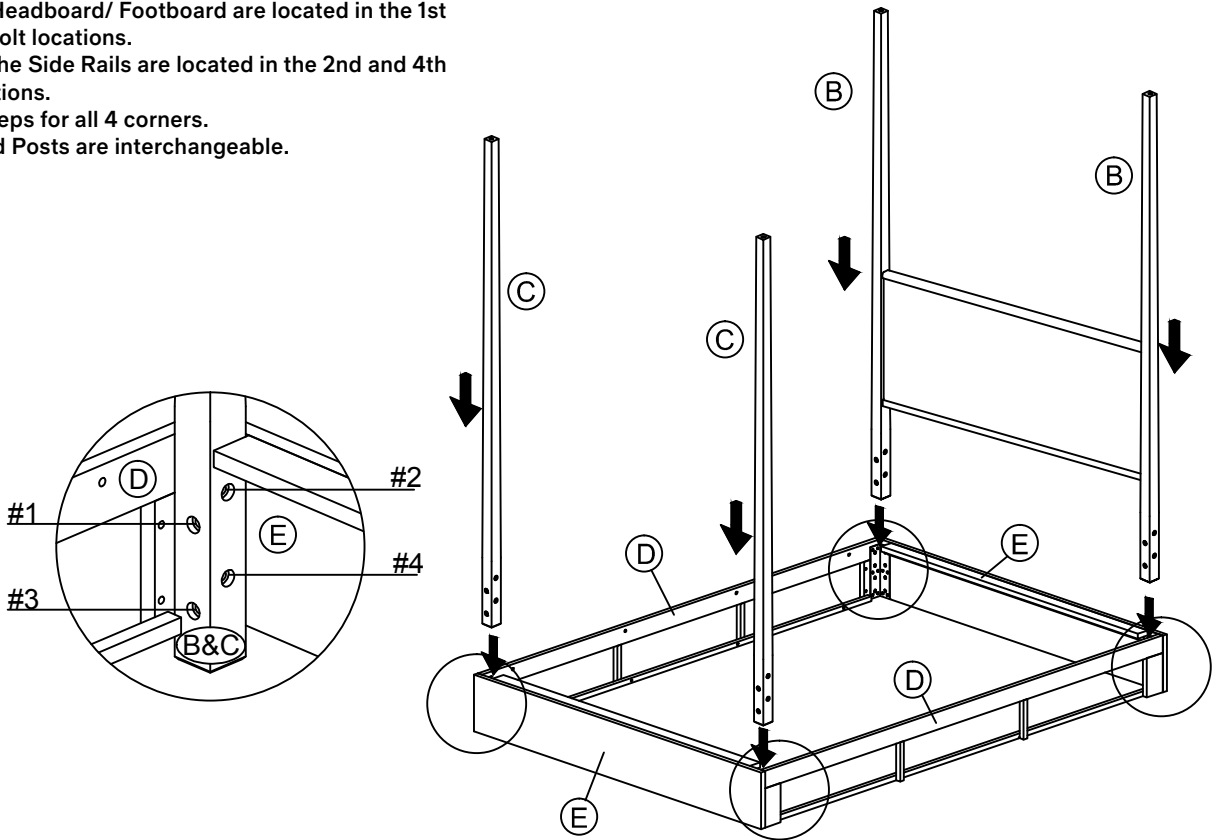
3. Place the hooks of the Headboard Panel (A) into the slots in the Headboard Post (B). If necessary, using a thick magazine or book to protect the Headboard Panel (A), hammer with a mallet or hammer until tight.



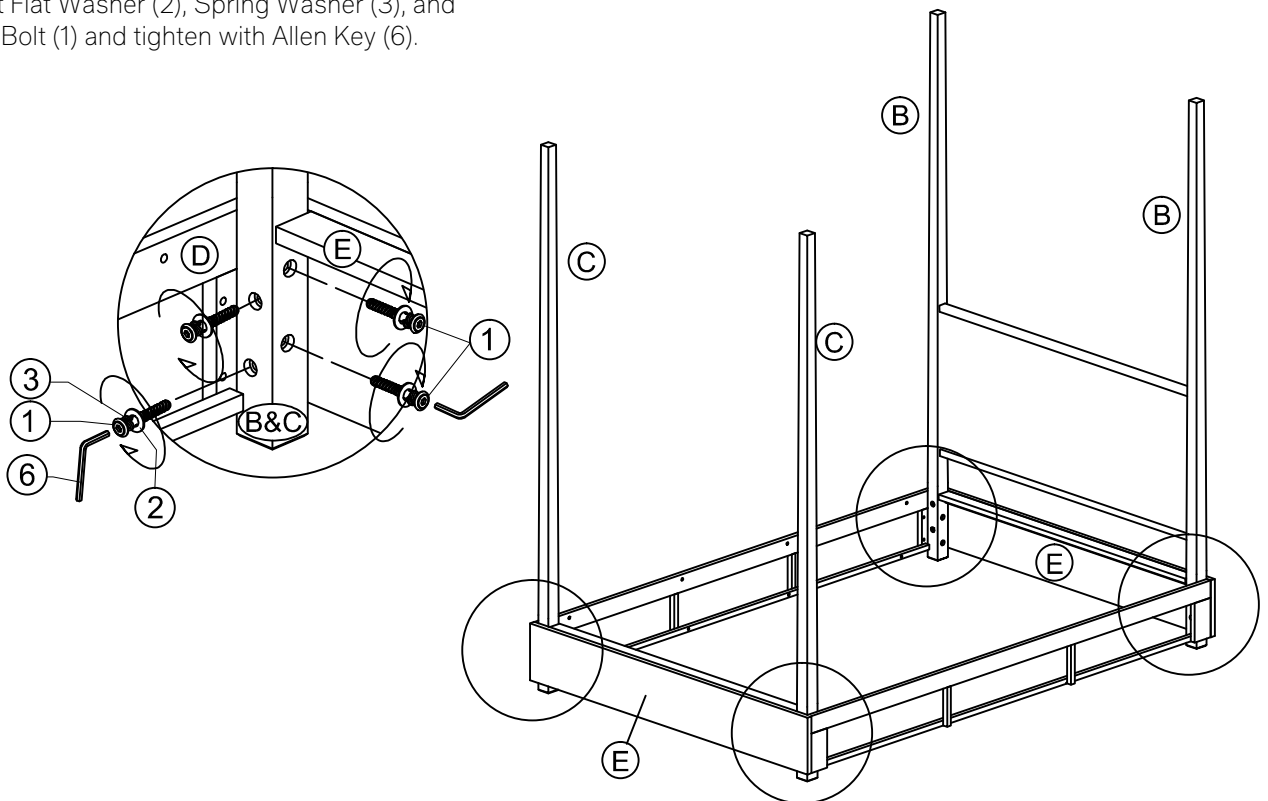
4. Attach the Headboard Posts (B) and Footboard Posts (C) to the Bed Base.

Note:

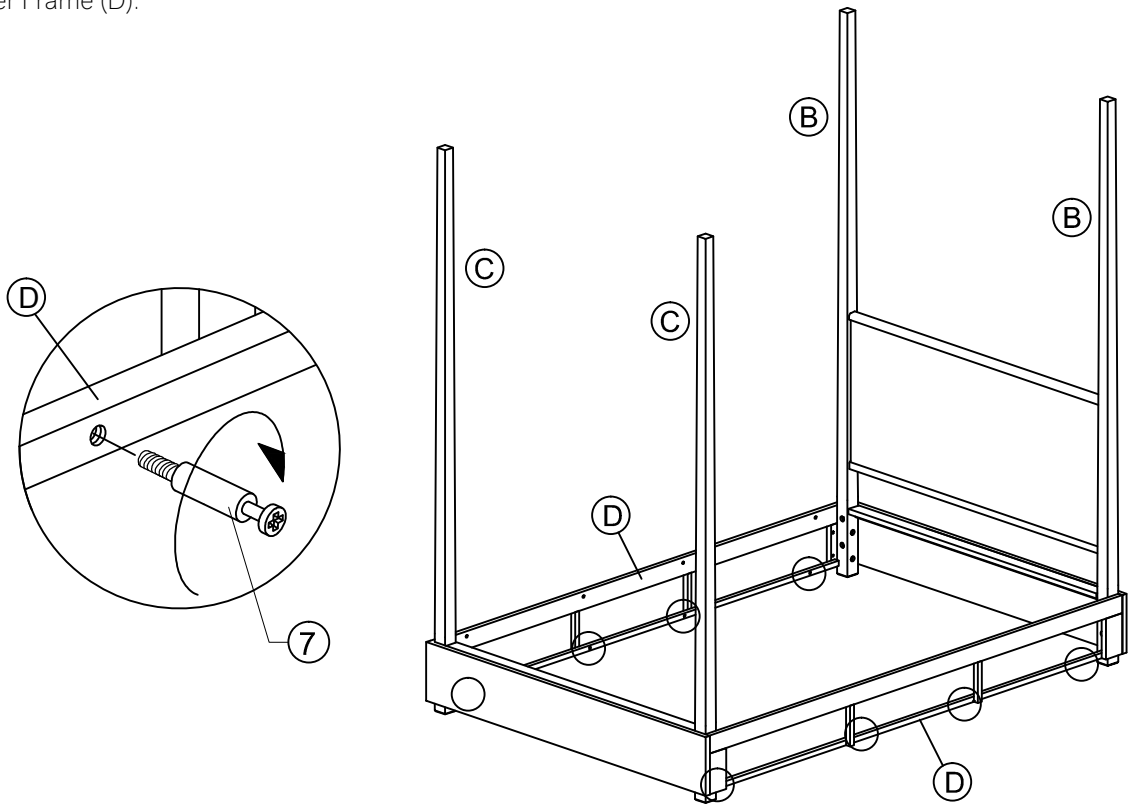
- Bolts on Headboard/ Footboard are located in the 1st and 3rd bolt locations.
- Bolts on the Side Rails are located in the 2nd and 4th hole locations.
- Repeat steps for all 4 corners.
- Footboard Posts are interchangeable.



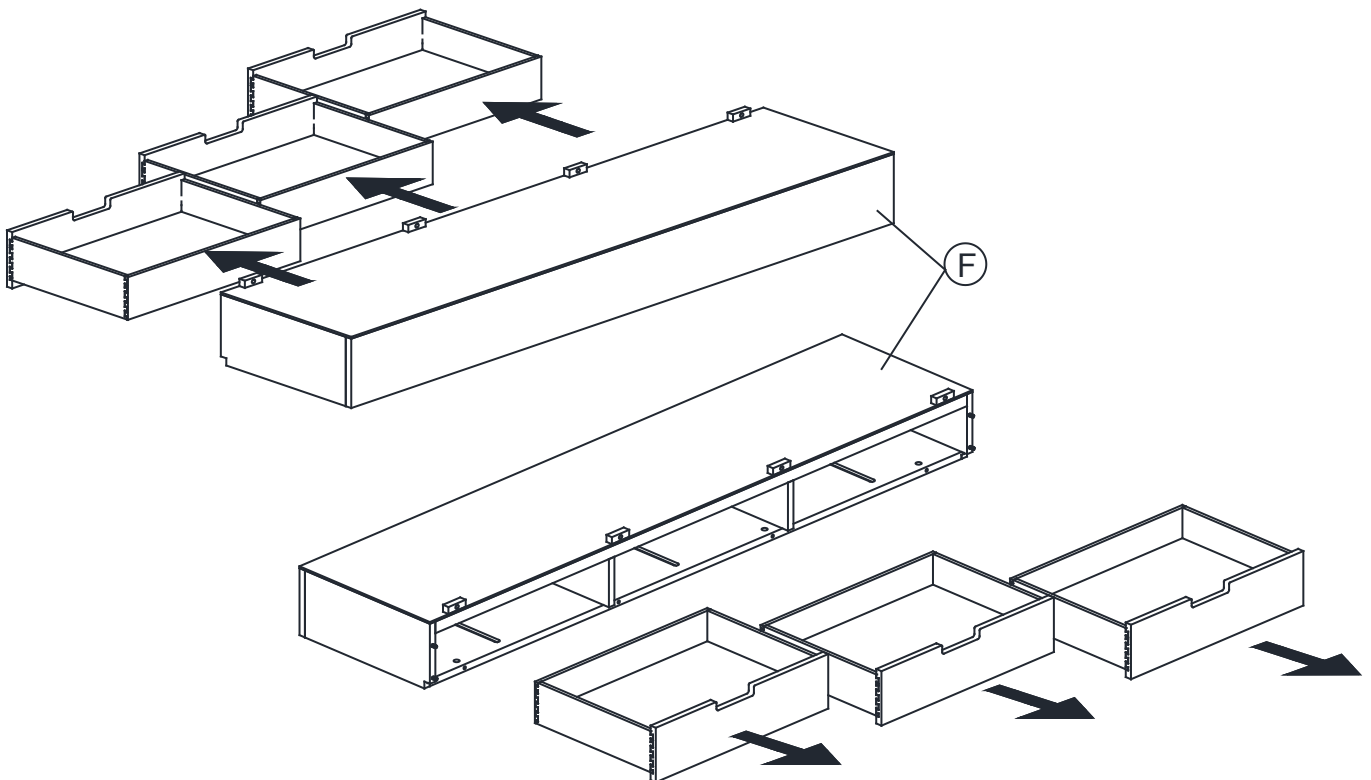
5. Insert Flat Washer (2), Spring Washer (3), and Long Bolt (1) and tighten with Allen Key (6).



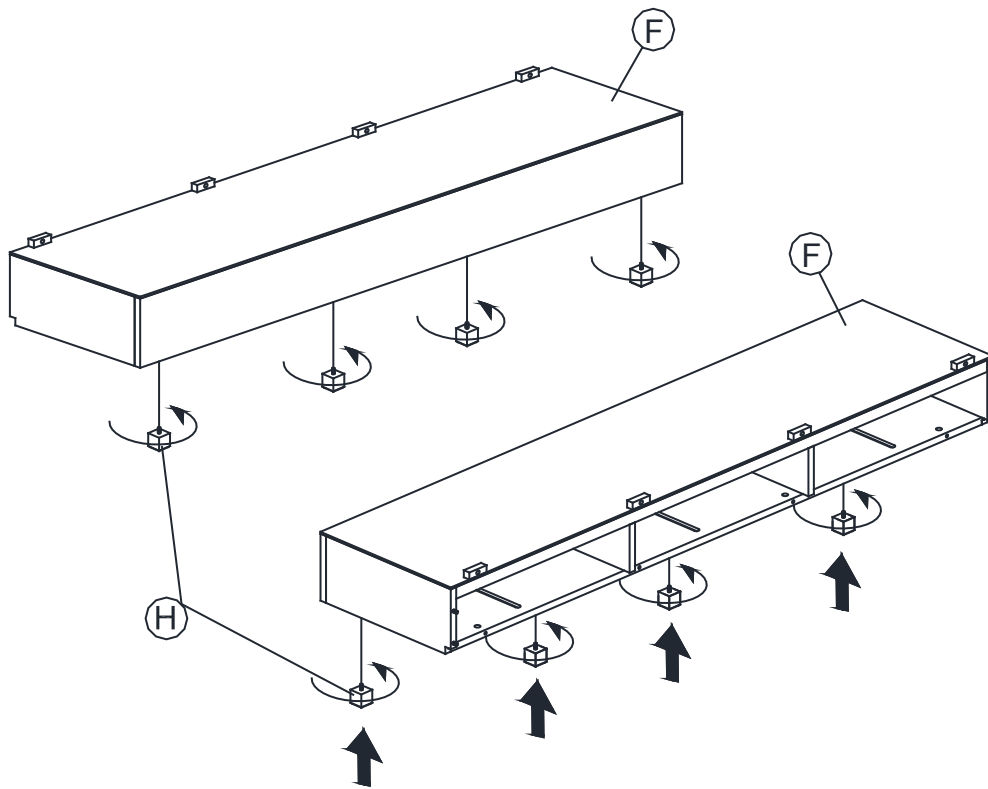
6. Insert the Connecting Bolt (7) into the bottom of the Side Drawer Frame (D).



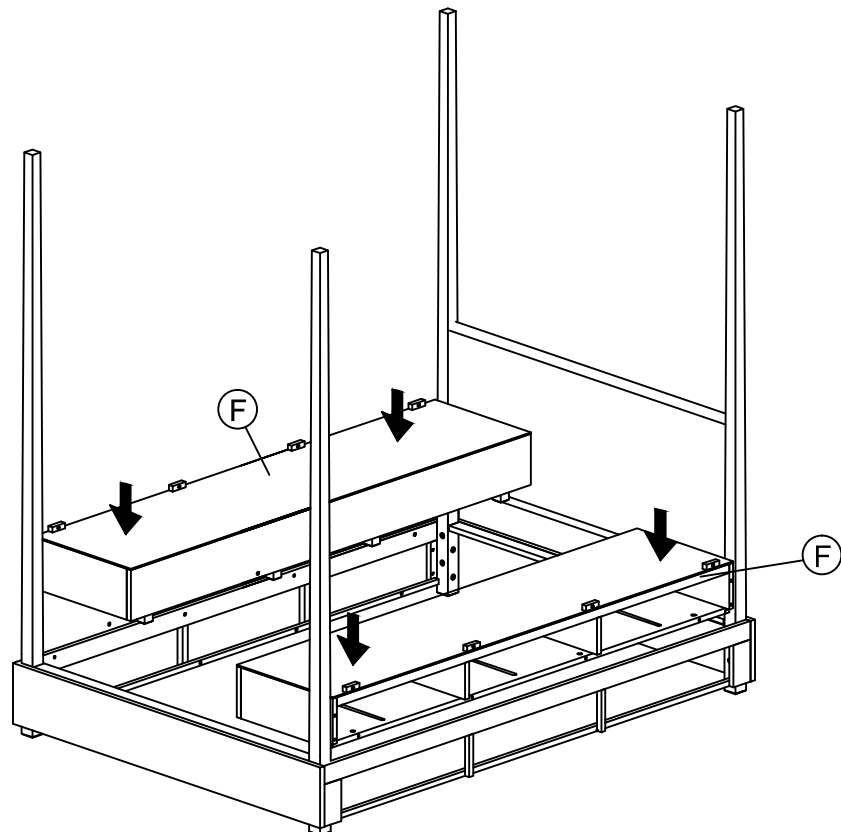
7. Please carefully pull the drawers out of the Storage Base (F) with force by pulling on the cut-outs on drawer fronts.



8. Attach the Support Legs (H) to the bottom of the Storage Base (F).

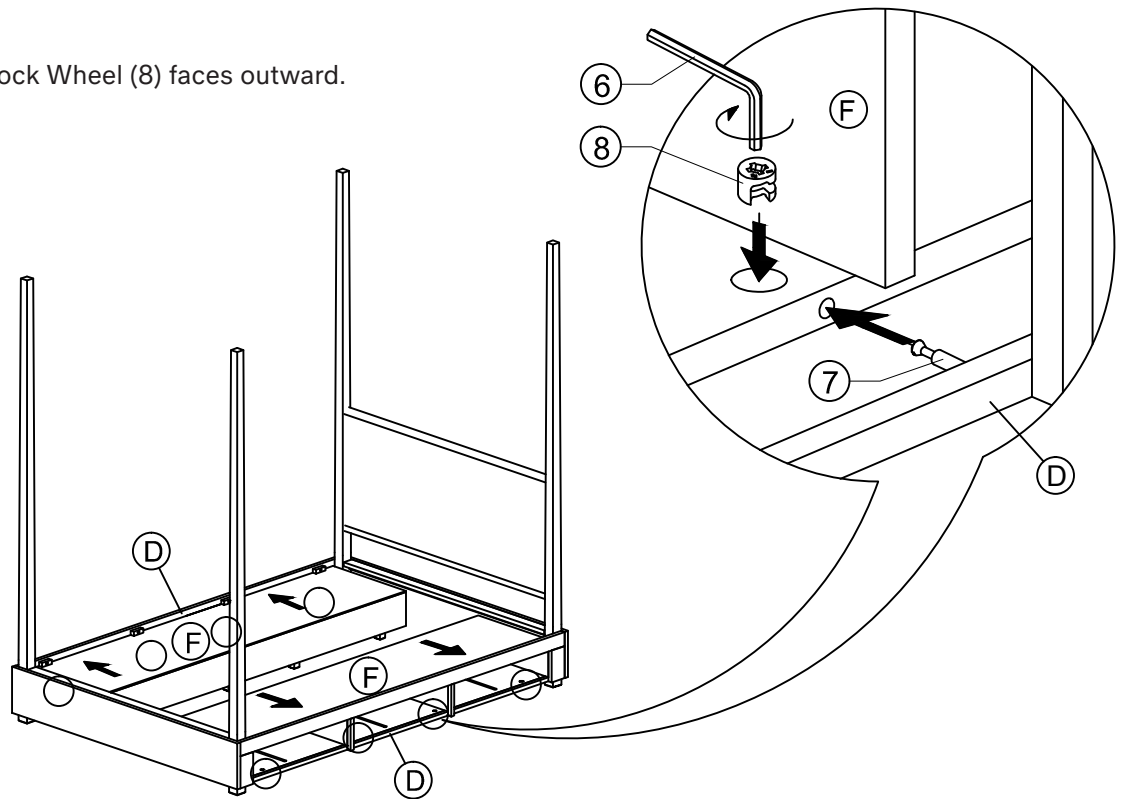


9. Lay the Storage Base (F) inside the assembled Bed Base.

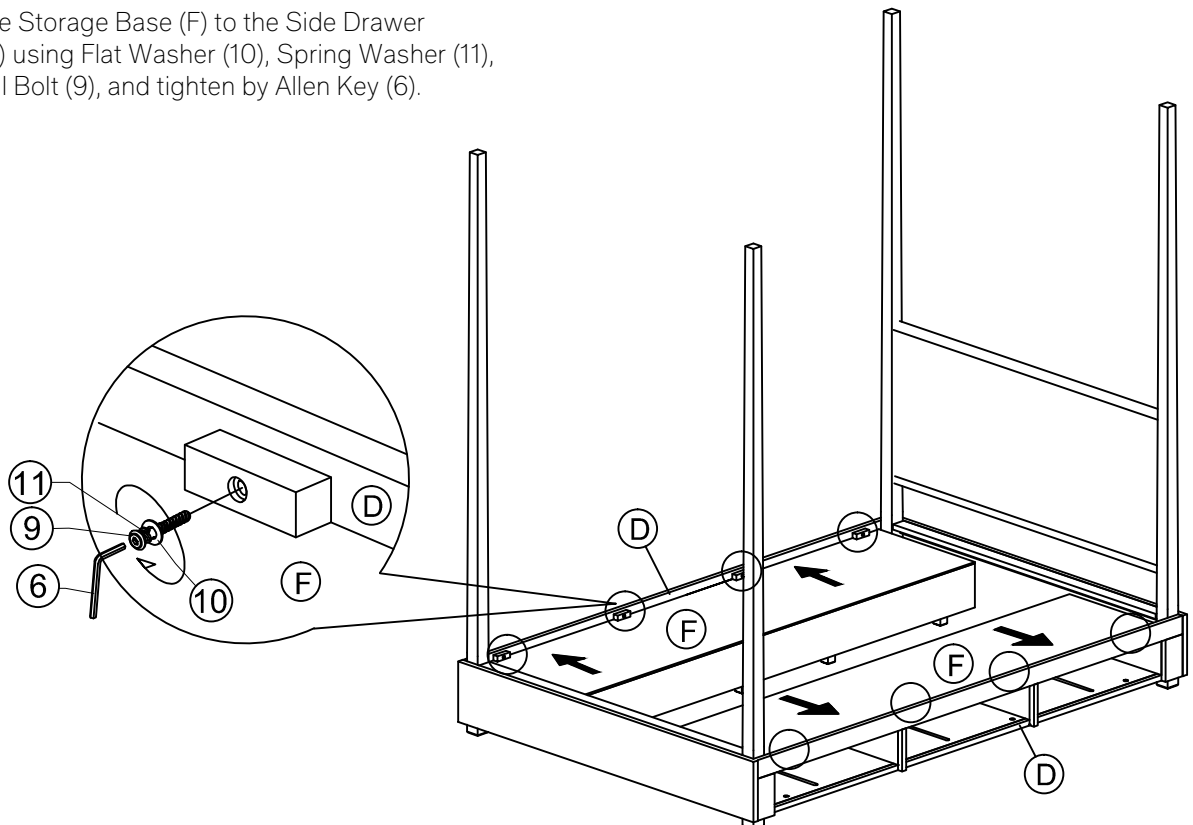


10. Attach the Storage Base (F) to the Side Drawer Frame (D). Place Camlock Wheel (8) into the holes inside of Storage Base (F) by aligning the arrow sign of the Camlock Wheel (8) to the Connecting Bolts (7) and twist to tighten clockwise using Allen Key (6).

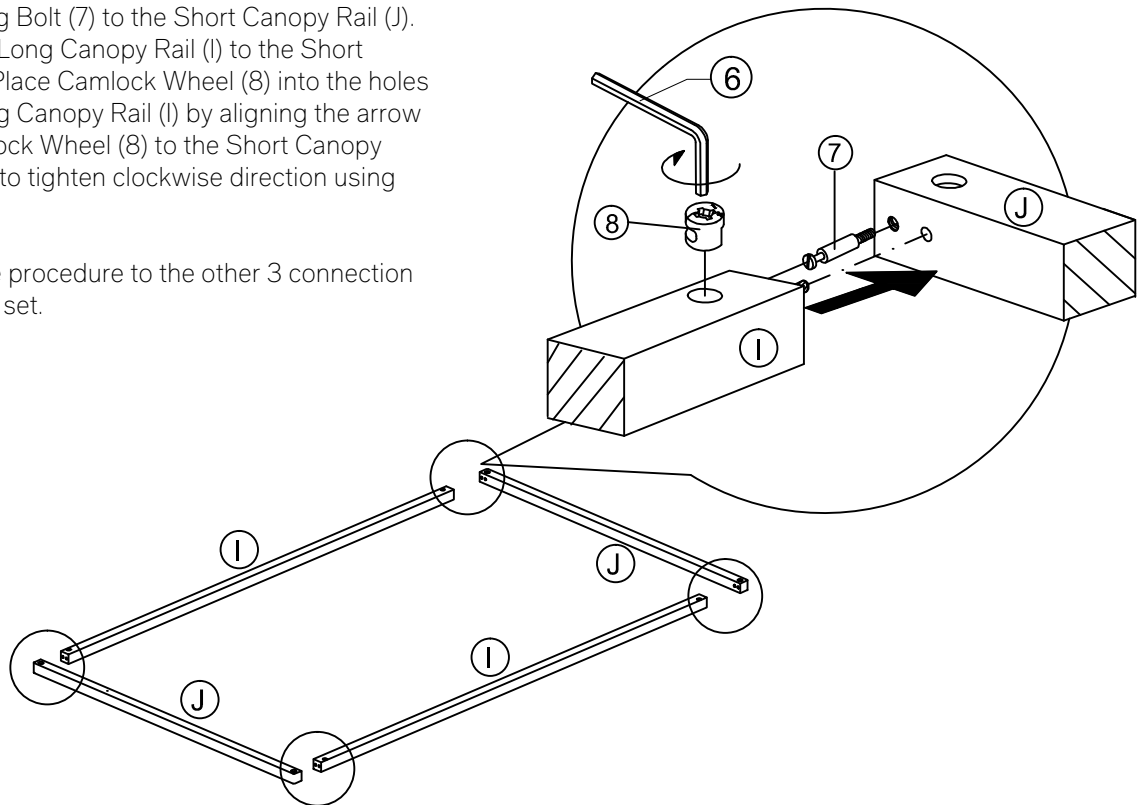
Note: Slot on Camlock Wheel (8) faces outward.



11. Attach the Storage Base (F) to the Side Drawer Frame (D) using Flat Washer (10), Spring Washer (11), and Small Bolt (9), and tighten by Allen Key (6).



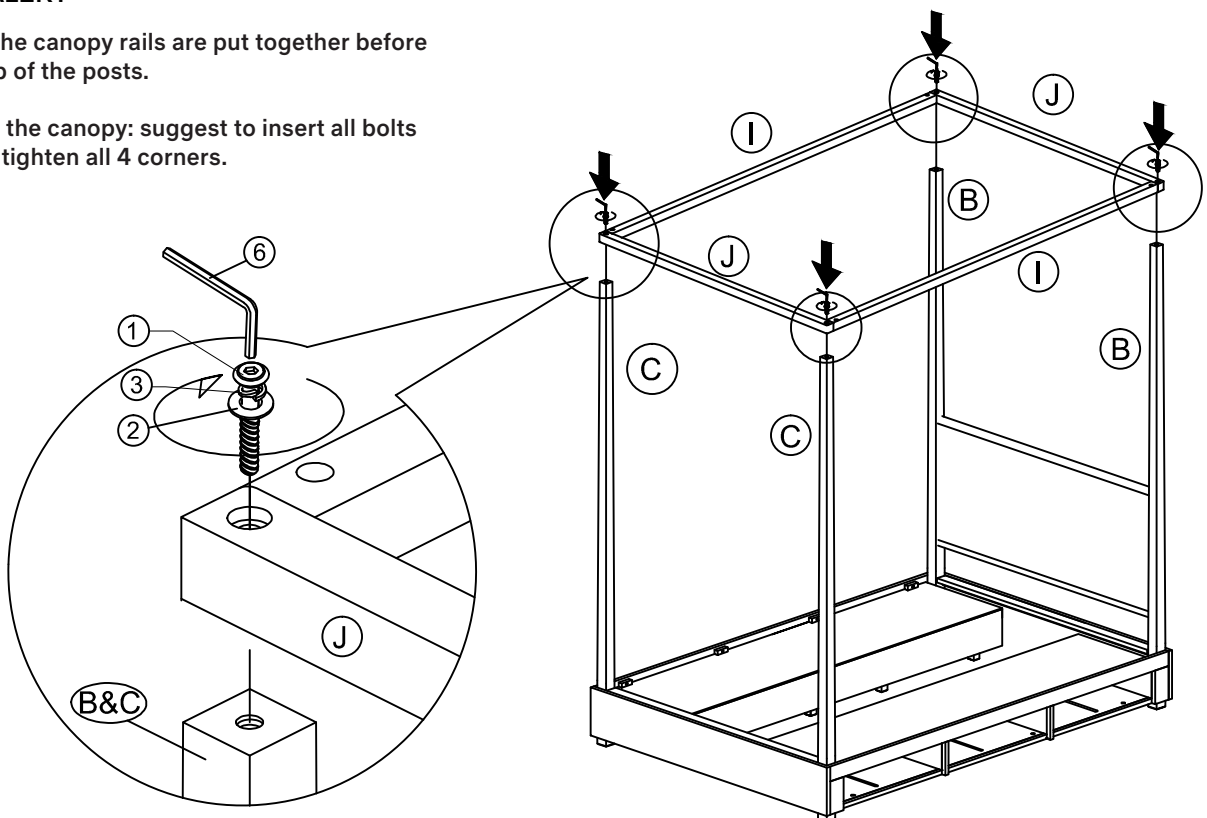
12. Insert Connecting Bolt (7) to the Short Canopy Rail (J). Then secure the Long Canopy Rail (I) to the Short Canopy Rail (J). Place Camlock Wheel (8) into the holes inside of the Long Canopy Rail (I) by aligning the arrow sign of the Camlock Wheel (8) to the Short Canopy Rail (J) and twist to tighten clockwise direction using Allen Key (6).
13. Repeat the same procedure to the other 3 connection points of canopy set.



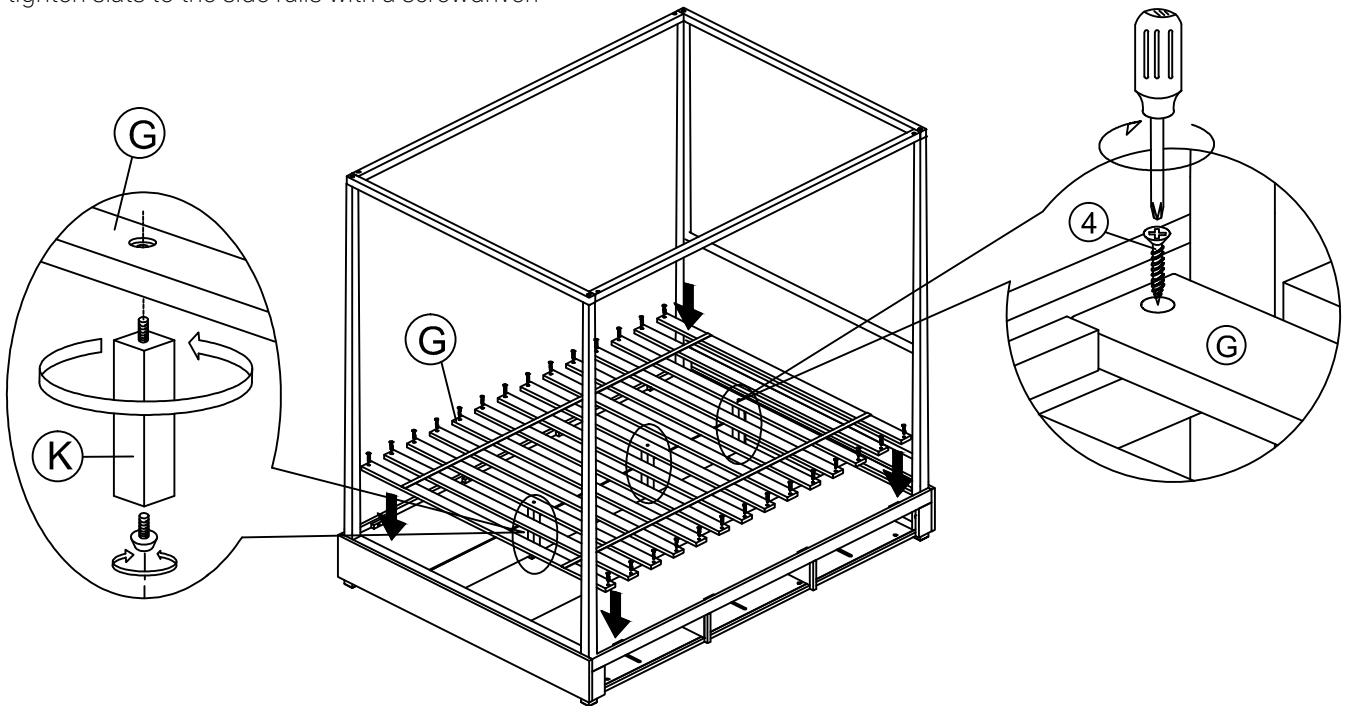
14. This final procedure should be done by two people working together to carefully lift assembled canopy and place on top of bed posts. Insert the Flat Washer (2), Spring Washer (3), Long Bolt (1) into the holes of Short Canopy Rails (J). Tighten with Allen Key (6).

ASSEMBLY ALERT

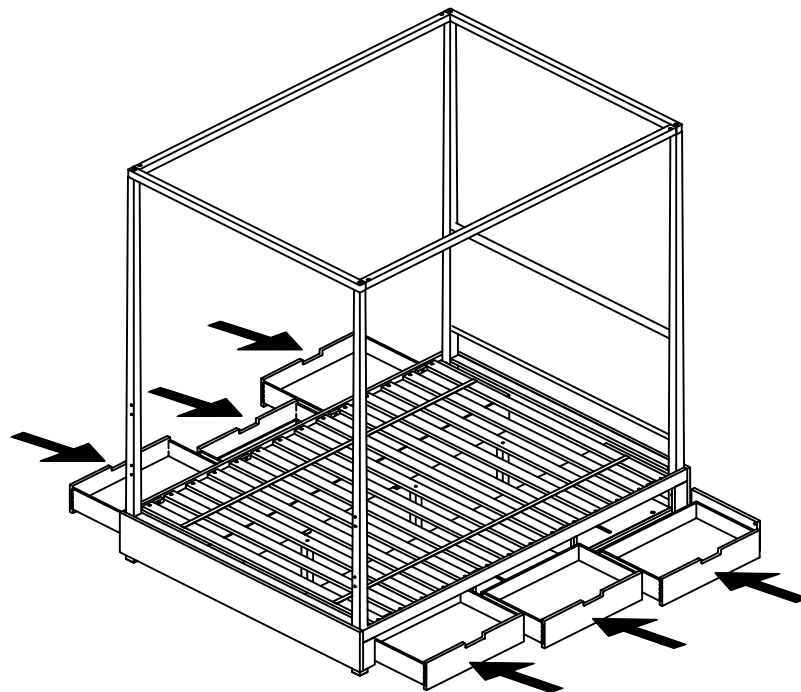
- Make sure the canopy rails are put together before place on top of the posts.
- Assembling the canopy: suggest to insert all bolts before fully tighten all 4 corners.



15. Tighten the Center Legs (K) to the Slat Roll (G).
Then lay the Slat Roll (G) in between the Side Drawer Frame (D), using Long Screws (4) to tighten slats to the side rails with a screwdriver.



16. Insert drawers into the Storage Base (F) and assembly is completed.



CARE INSTRUCTIONS:

1. Dust often using a clean, soft, dry lint-free cloth.
2. Blot spills immediately, and wipe with a clean, damp cloth.
3. We do not recommend the use of chemical cleansers, abrasives, or furniture polish on our lacquered finish.