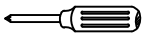


COLETTE TUFTED TWIN & FULL BED

PARTS INCLUDED:

- A (1) HEADBOARD
- B (1) FOOTBOARD
- C (2) SIDE RAILS
- D (1) SLAT ROLL

TOOLS NEEDED:



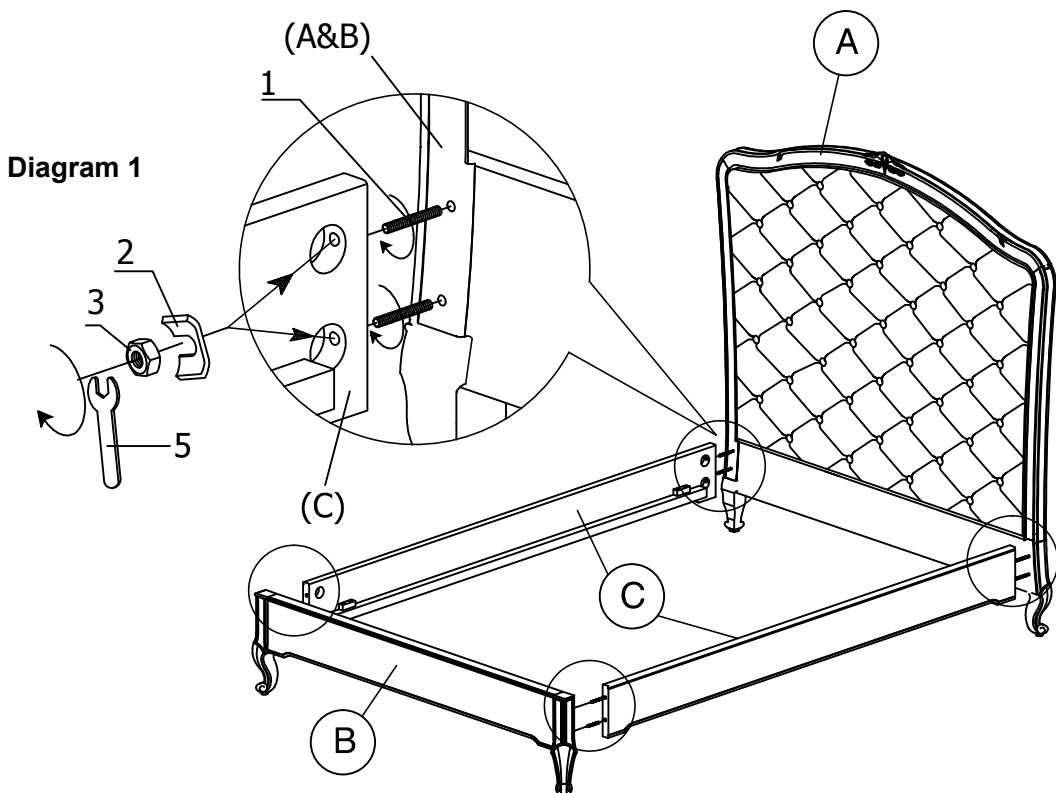
Phillips Head Screwdriver
(Not included)

HARDWARE LIST:

1		Threaded rod 5/16" x 3"	8pcs
2		Curved slotted washer 35 x 19 x 12 x 3mm	8pcs
3		Hex nut 5/16" x 12mm	8pcs
4		Screw 8x30mm	4pcs
5		Allen Wrench 12mm	1pc

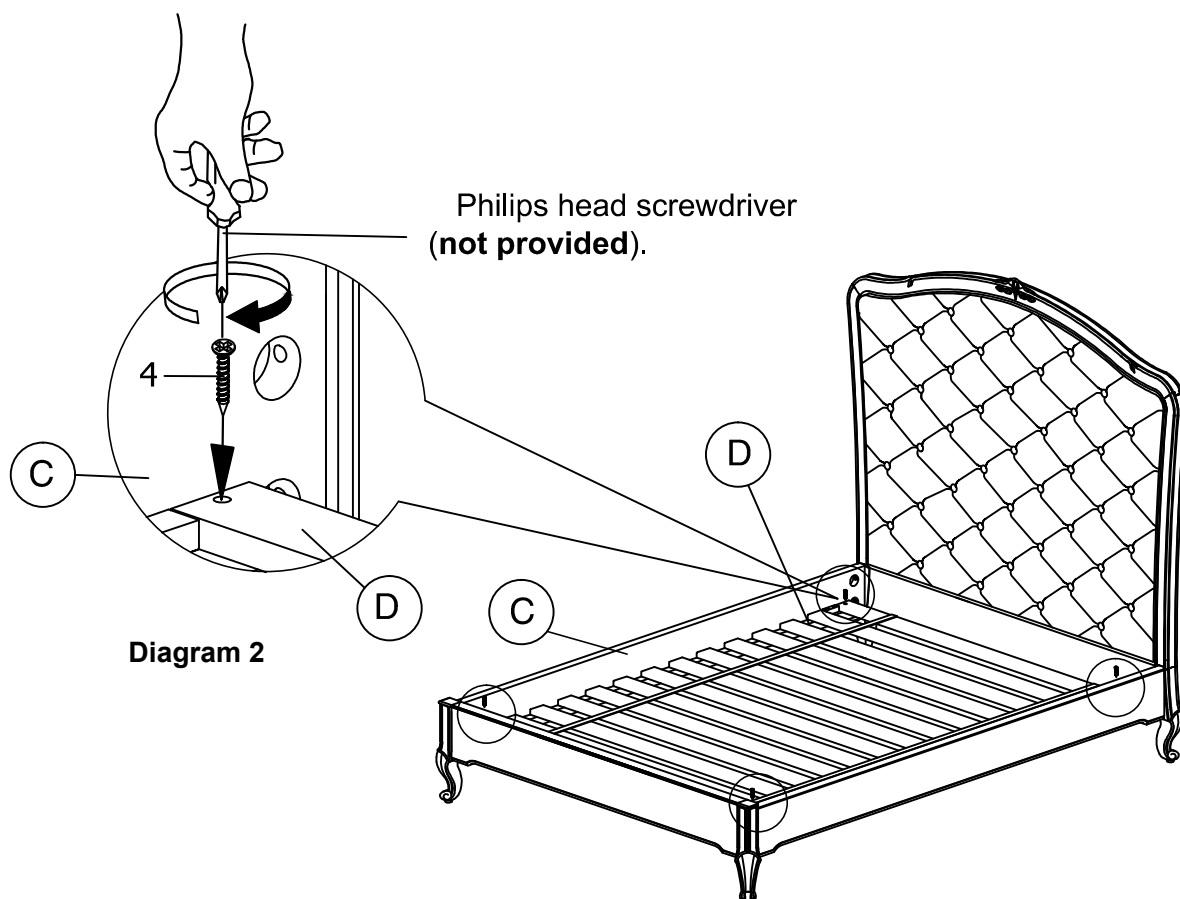
ASSEMBLY INSTRUCTIONS:

1. Place the Headboard (A) upright in the position you wish the bed to be in when fully assembled. The Headboard bed fast hardware should be facing the inside, toward the mattress.
2. Secure the Threaded Rod (1) to the Headboard (A). Raise the Side Rails (C) up and place the rod into the Side Rail (C) at the bore holes' position. Insert Curved Slotted Washer (2) and tighten Hex Nut (3) using Wrench (5) (as shown in Diagram 1). Repeat the procedure with the other Side Rail (C) and Footboard (B).



COLETTE TUFTED TWIN & FULL BED

3. Lay the Slat Roll (D) in between the Side Rails (C) and use Wood Screws (4) to fasten 2 end slats to the side rails with a screwdriver (as shown in Diagram 2).



CARE INSTRUCTIONS

- Dust often using a clean, soft, dry lint-free cloth.
- Blot spills immediately, and wipe with a clean, damp cloth.
- We do not recommend the use of chemical cleaners, abrasives, or furniture polish on our lacquered finish.