

RH BABY & CHILD


REESE DAYBED WITH TRUNDLE INSTRUCTIONS

PARTS INCLUDED

- A [2] SIDE PANEL
- B [1] FRONT PANEL
- C [1] HEADBOARD
- D [1] TRUNDLE
- E [4] SLATS
- F [2] PLATFORM PANELS
- F [1] CENTER SUPPORT SLAT

NO.	ITEM	DESCRIPTION	QTY
1		Allen Key (0.5cm Dia)	1 pc
2		Allen Head Bolt(0.6cm Dia*3cm)	2 pcs
3		Allen Head Bolt(0.8cm Dia*3cm)	6 pcs
4		L-Shaped Bracket	2 pcs
5		Screw (3cm)	8 pcs

TOOLS NEEDED

Phillips Head Screwdriver (not include) 

ASSEMBLY INSTRUCTIONS

Bed must be assembled by at least two people.

Please read instruction carefully before assembling bed.

Use the above parts and hardware list to identify each component.

Keep all packing materials until assembly is complete to avoid loss of smaller parts.

1. Stand the Headboard (C) upright and hook Headboard (C) into Side Panels(A), as shown in Diagram I.
2. Stand the Front Panel (B) upright and attach Side Panels (A), then tighten all Allen Head Bolt (3) with Allen Key (1), as shown in Diagram II.
3. Place the Center Support Salt (G) into the L-Shaped Bracket using Allen Head Bolt (2) and tighten with Allen Key (1), then attach the L-Shaped Bracket (4) to the Side Panels (A) using Allen Head Bolt (3) and tighten with Allen Key (1), as shown in Diagram III.
4. Place the Slat (E) into the cleats on the inside of the Headboard (C) and Front Panel (B), then screw the ends of the slats to the cleats using Screw (5), as shown in Diagram IV.
5. Lay the Platform Panels (F) flat on top of the Slats (E).
6. Push the Trundle (D) into the daybed frame, making sure the Trundle (D) front panels is flush with the daybed Front Panel (B).

CARE INSTRUCTIONS

1. Spot clean only with a soft, damp cloth.

Diagram IV

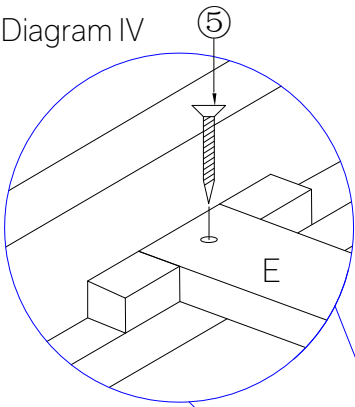


Diagram I

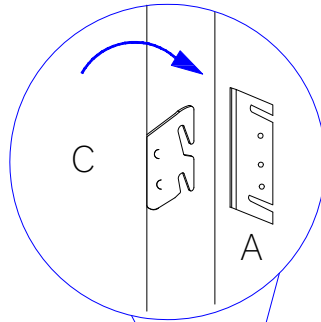


Diagram III

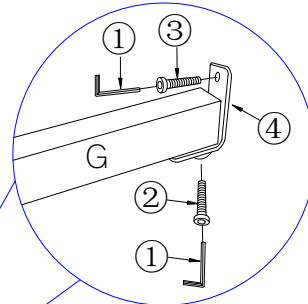


Diagram II

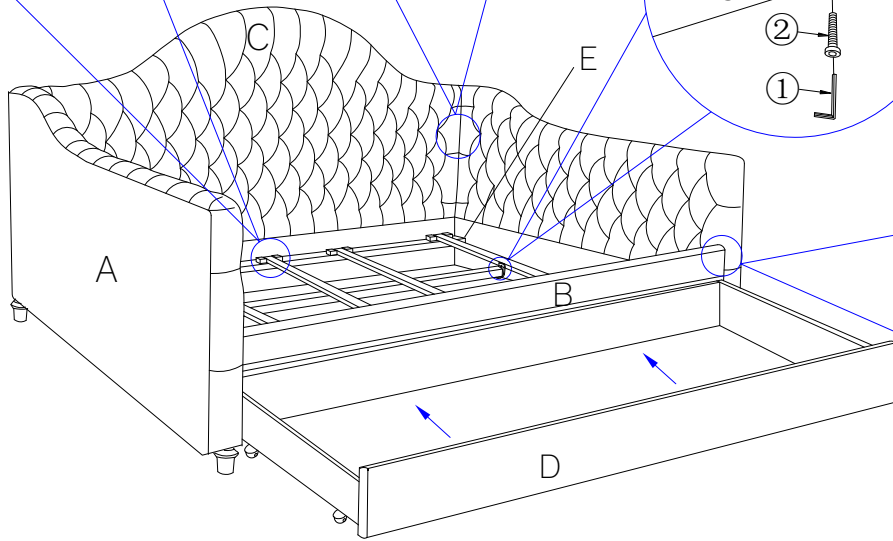
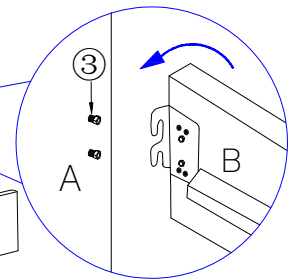


Diagram V

