

JULIETTE CANOPY BED CROWN

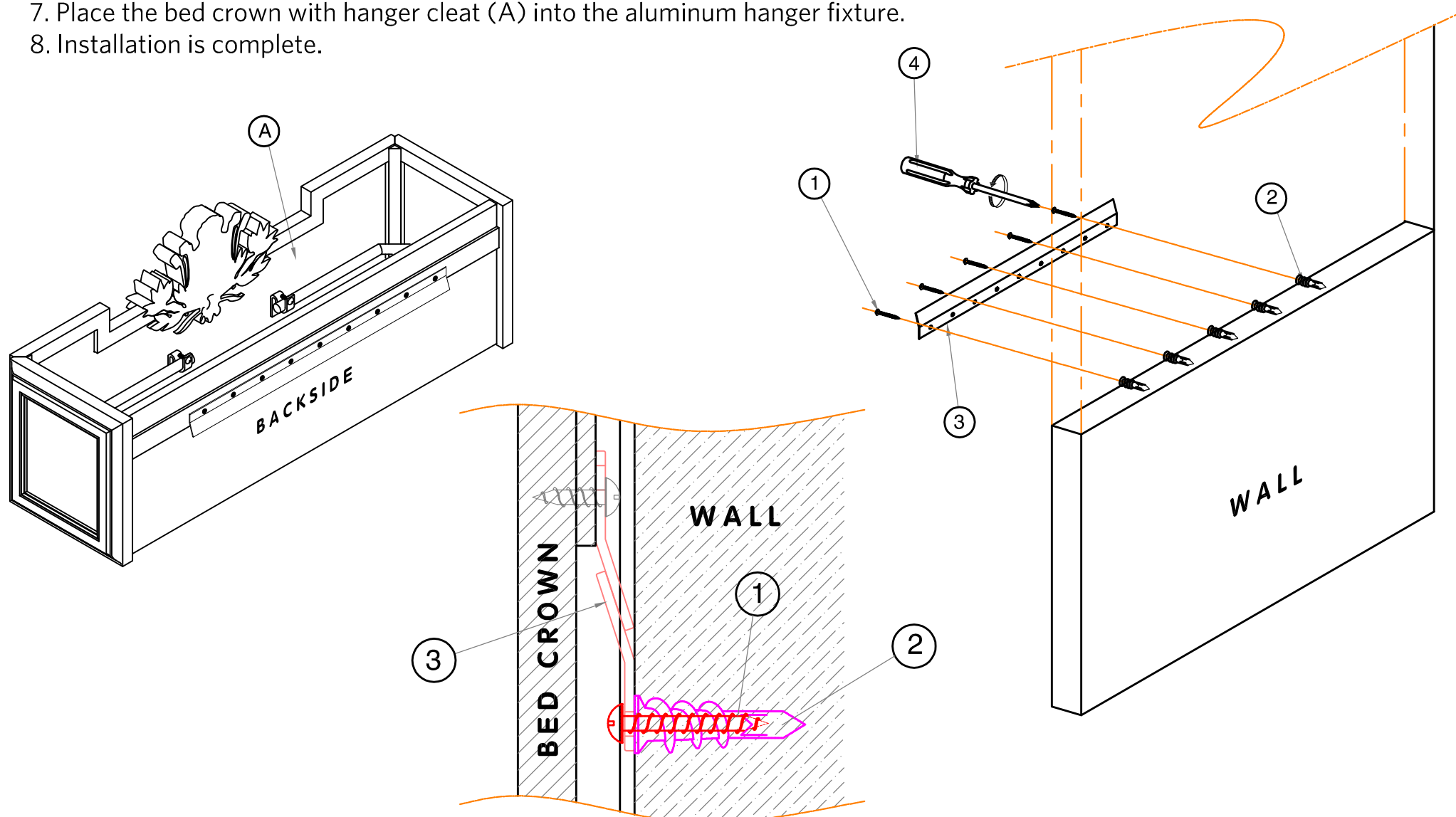
PARTS INCLUDED

A [1] BED CROWN WITH HANGER CLEAT

ASSEMBLY INSTRUCTIONS

1. Unpack all parts, and place them on a protected work surface.
2. Determine the exact location of the fixture, and mark 5 holes on the wall surface using the holes in the aluminum hanger (3) as a guide. Please note that you must drill all 5 holes on wall studs. Find stud locations using a stud finder (not included), then mark with a pencil (not included).
3. Drill small holes into each point location on the wall. Each hole should be just large enough to accommodate the EZ mini anchors (2).
4. Insert the EZ mini anchors (2) into the holes on the wall.
5. Mount the aluminum hanger into the wall using screws (1).
6. Check that the aluminum hanger fixture is securely screwed into the wall.
7. Place the bed crown with hanger cleat (A) into the aluminum hanger fixture.
8. Installation is complete.

NO.	ITEM	DESCRIPTION	QTY.
1		Screw - M4 x 30mm	5 pcs.
2		EZ Mini Anchor 14 x 44mm	5 pcs.
3		Aluminum Hanger: 18"	1 pc.
4		Screwdriver	Not included



CARE INSTRUCTIONS

- To clean, use a soft dry or damp cloth.
- Do not use abrasive cleanser.

IMPORTANT SAFETY INSTRUCTIONS

- These instructions are provided for your safety. It is important that they are read carefully and completely before installation of the fixture.
- Professional installation is strongly recommended.
- For your safety, it is recommended that two people hang the fixture.
- Check with a professional to ensure your wall can tolerate a fixture weighing 21.5 lbs.
- When wall mounting, mount to wall studs.