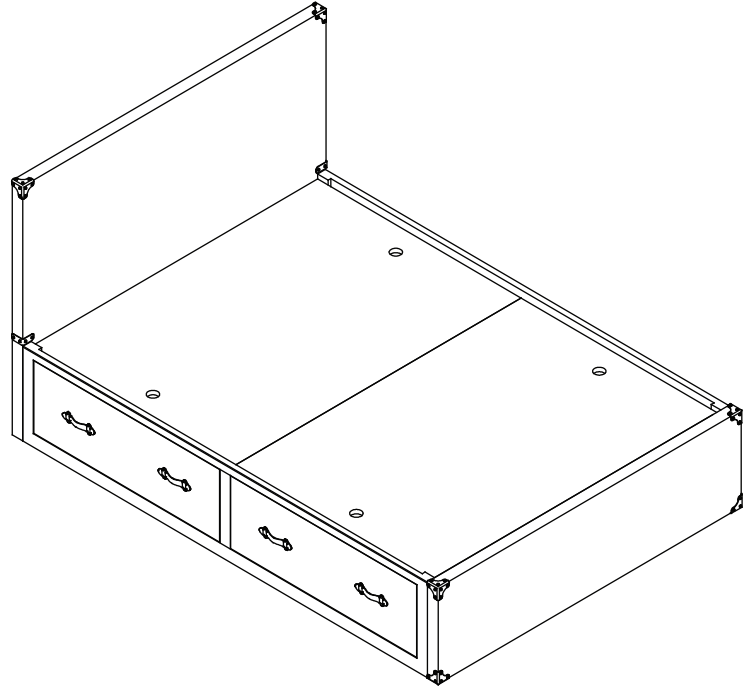


ANTIQUE STEAMER TRUNK TWIN 4 DRAWER STORAGE BED

⚠ WARNING: ADULT ASSEMBLY ONLY OWING TO THE PRESENCE OF SMALL PARTS, SHARP POINTS AND EDGES

PART LIST

- A. HEADBOARD
- B. TRUNK STORAGE
- C. FOOTBOARD
- D. COVER PANEL







IMPORTANT

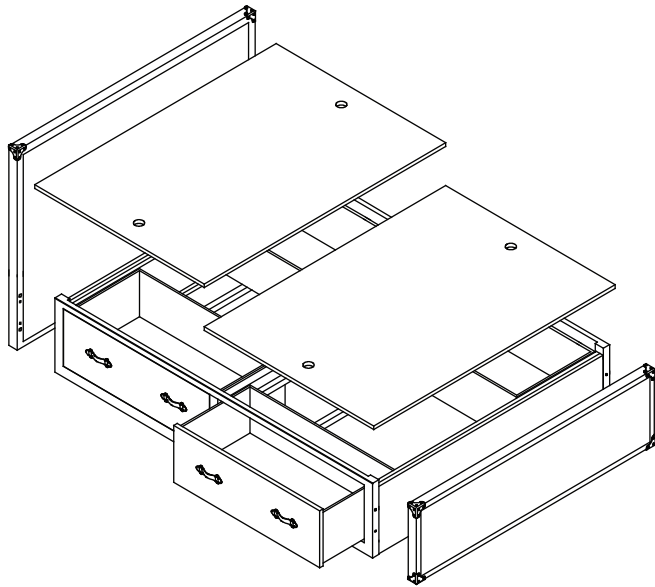
These bed parts can be cumbersome and heavy to some people, therefore the assistance of an experienced carpenter and two or more people is recommended in order to prevent personal injury and ensure the bed parts are not damaged during the assembly process.

Please note the headboard and the footboard of this bed can be interchanged for left or right facing drawers. To do so, remove the footboard attached to the trunk storage.

HARDWARE LIST

NO	DESCRIPTION		QTY
1		ALLEN BOLT, 1.25"	8PCS
2		ALLEN BOLT, 2.25"	8PCS
3		PLAIN WASHER	8PCS
4		ALLEN WRENCH	1PCS

Customer Service - If you are missing parts or have any questions about this product please contact us at 1-800-762-1751

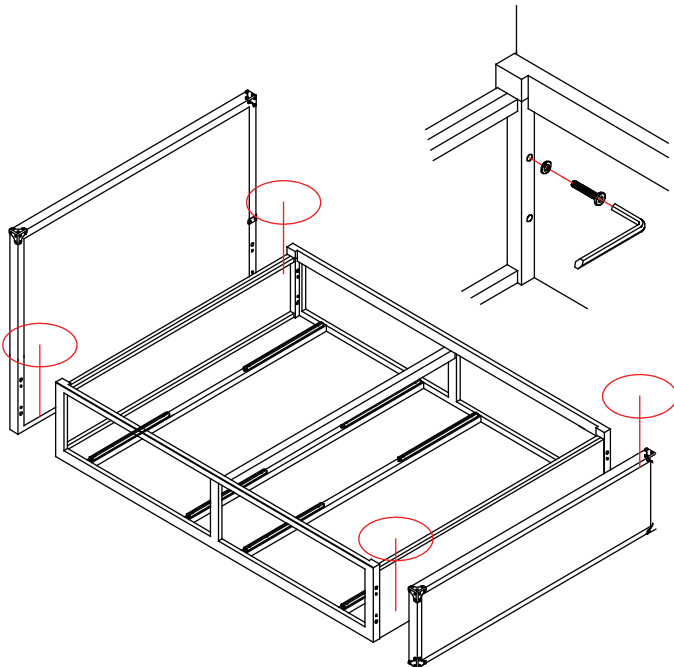


INSTRUCTIONS

The bed is composed of several components: the headboards, trunk storage, footboard and twin cover panel. Determine the intended location and ensure there is enough space to work with. Fully read these instructions before physically assembling.

STEP #1:

Place the bed parts on a plain and non-abrasive surface. Remove the drawer and twin cover panel of the trunk storage (B) to have full access to the holes on both corner ends. Headboard and footboard are interchangeable for left or right facing drawers. Please see FIGURE 01.



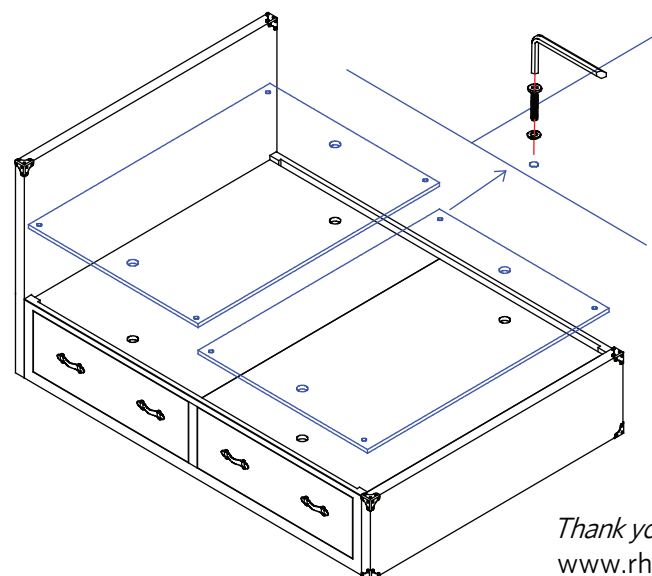
STEP #2:

Place the headboard (A) upright in the position you wish the bed to be in when fully assembled. Bring the headboard (A) against the bed storage (B) then locate and align the holes of the headboard (A). Once the bed storage (B) is set, fasten these with Allen head bolt (2) and Plain washers (3) provided. Tighten the bolts with Allen wrench (4) to snug fit.

Please see FIGURE 02.

STEP #3:

Repeat the above procedure with the foot board (if desired).



STEP #4:

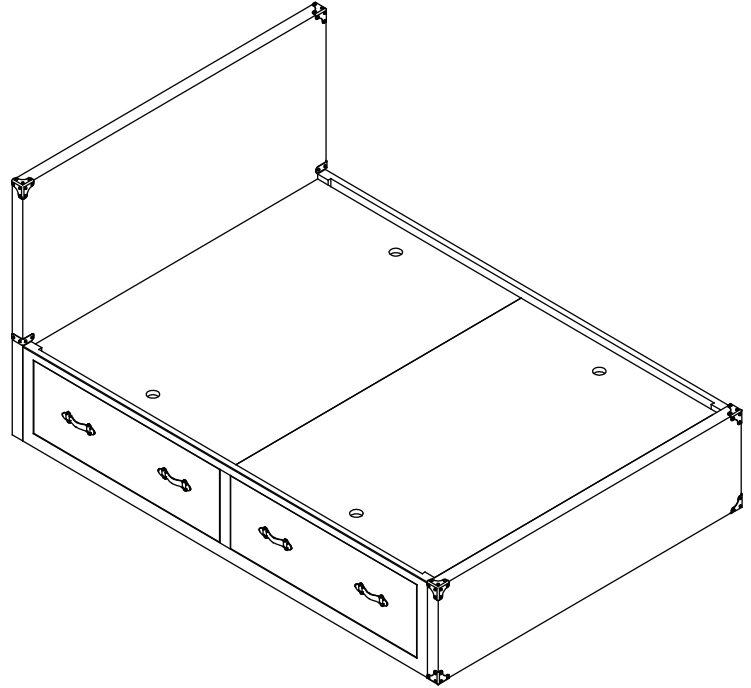
Set the twin cover panels on top of the trunk storage and fasten these with Allen head bolt (1). Please see FIGURE 03. Then insert drawers back to each bed storage drawer compartment. Please note that every drawer will have a number sticker on the back wall. This number should be matched with the sticker number inside the drawer compartment of the assembled bed.

ANTIQUE STEAMER TRUNK FULL 4 DRAWER STORAGE BED

⚠ WARNING: ADULT ASSEMBLY ONLY OWING TO THE PRESENCE OF SMALL PARTS, SHARP POINTS AND EDGES

PART LIST

- A. HEADBOARD
- B. TRUNK STORAGE
- C. FOOTBOARD
- D. COVER PANEL







IMPORTANT

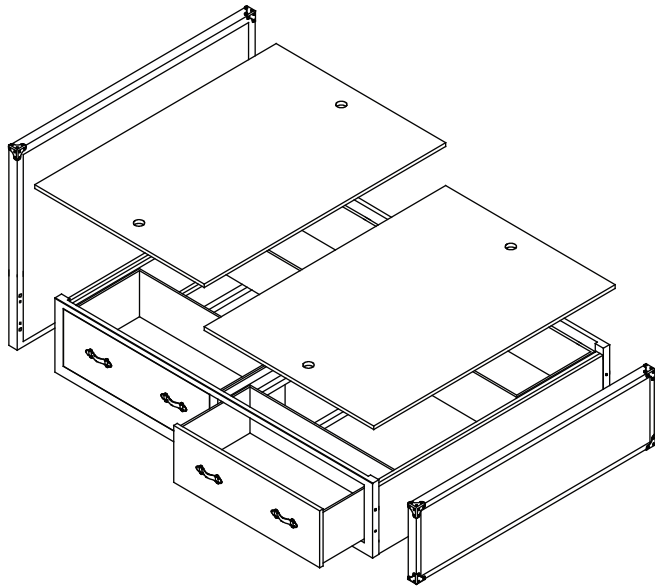
These bed parts can be cumbersome and heavy to some people, therefore the assistance of an experienced carpenter and two or more people is recommended in order to prevent personal injury and ensure the bed parts are not damaged during the assembly process.

Please note the headboard and the footboard of this bed can be interchanged for left or right facing drawers. To do so, remove the footboard attached to the trunk storage.

HARDWARE LIST

NO	DESCRIPTION		QTY
1		ALLEN BOLT, 1.25"	8PCS
2		ALLEN BOLT, 2.25"	8PCS
3		PLAIN WASHER	8PCS
4		ALLEN WRENCH	1PCS

Customer Service - If you are missing parts or have any questions about this product please contact us at 1-800-762-1751

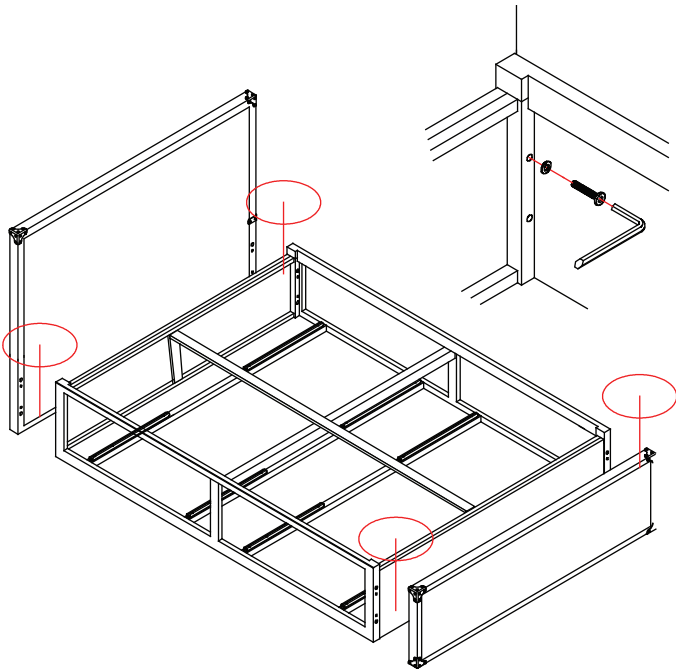


INSTRUCTIONS

The bed is composed of several components: the headboards, trunk storage, footboard and twin cover panel. Determine the intended location and ensure there is enough space to work with. Fully read these instructions before physically assembling.

STEP #1:

Place the bed parts on a plain and non-abrasive surface. Remove the drawer and twin cover panel of the trunk storage (B) to have full access to the holes on both corner ends. Headboard and footboard are interchangeable for left or right facing drawers. Please see FIGURE 01.



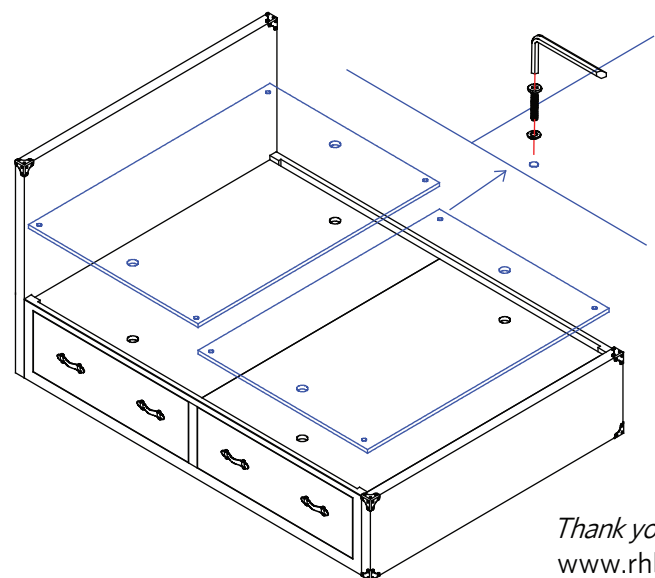
STEP #2:

Place the headboard (A) upright in the position you wish the bed to be in when fully assembled. Bring the headboard (A) against the bed storage (B) then locate and align the holes of the headboard (A). Once the bed storage (B) is set, fasten these with Allen head bolt (2) and Plain washers (3) provided. Tighten the bolts with Allen wrench (4) to snug fit.

Please see FIGURE 02.

STEP #3:

Repeat the above procedure with the foot board (if desired).



STEP #4:

Set the twin cover panels on top of the trunk storage and fasten these with Allen head bolt (1). Please see FIGURE 03. Then insert drawers back to each bed storage drawer compartment. Please note that every drawer will have a number sticker on the back wall. This number should be matched with the sticker number inside the drawer compartment of the assembled bed.