









RH BABY & CHILD

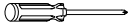
ANNIKA FULL DAYBED WITH TRUNDLE INSTRUCTIONS

PARTS INCLUDED

- A [2] SIDE PANEL
- B [1] FRONT PANEL
- C [1] HEADBOARD
- D [1] TRUNDLE
- E [4] SLAT
- F [2] PLATFORM PANEL
- G [1] CENTER SLAT

NO.	ITEM	DESCRIPTION	QTY
1		Allen Key (0.5cm Dia)	1 pc
2		Allen Head Bolt(0.8cm Dia*3.2cm)	12 pcs
3		L-Shaped Bracket Big	2 pcs
4		Allen Head Bolt(0.8cm Dia*3cm)	2 pcs
5		Allen Head Bolt(0.6cm Dia*3cm)	2 pcs
6		L-Shaped Bracket Small	8 pcs
7		Allen Head Bolt(0.6cm Dia*2.8cm)	8 pcs
8		Screw (3cm)	16 pcs

TOOLS NEEDED

Phillips Head Screwdriver (not include) 

ASSEMBLY INSTRUCTIONS

Bed must be assembled by at least two people.

Please read instruction carefully before assembling bed.

Use the above parts and hardware list to identify each component.

Keep all packing materials until assembly is complete to avoid loss of smaller parts.

1. Stand the Headboard (C) upright and hook Headboard (C) into Side Panels(A), as shown in Diagram I.
2. Screw the Allen Head Bolts (2) into the Side Panels (A) per-buried holes, then stand the Front Panel (B) upright and attach Side Panels (A), then tighten all bolts with Allen Key (1), as shown in Diagram II.
3. Place the Center Salt (G) into the L-Shaped Bracket (3) using Allen Head Bolt (5) and tighten with Allen Key (1), then attach the L-Shaped Bracket (3) to the Side Panels (A) using Allen Head Bolt (4) and tighten with Allen Key (1), as shown in Diagram III.
4. Place the Salt (E) into the L-Shaped Bracket (6) using Allen Head Bolt (7) and tighten with Allen Key (1), then attach the L-Shaped Bracket (6) to the Headboard (C) and Front Panel (B) using Allen Head Bolt (2), then tighten with Allen Key (1), as shown in Diagram IV.
5. Lay the Platform Panels (F) on the top, then screw the Platform Panels (F) with Slats (E) using Screw (8), as shown in Diagram V.
6. Push the Trundle (D) into the daybed frame, making sure the Trundle (D) front panel is flush with the daybed Front Panel (B).

CARE INSTRUCTIONS

1. Spot clean only with a soft, damp cloth.

Diagram I

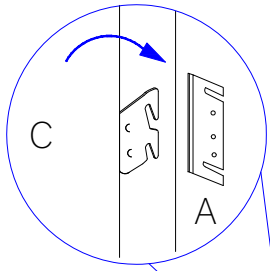


Diagram III

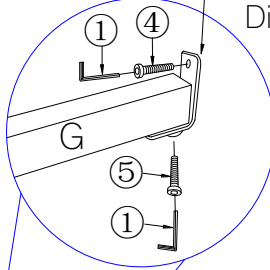


Diagram II

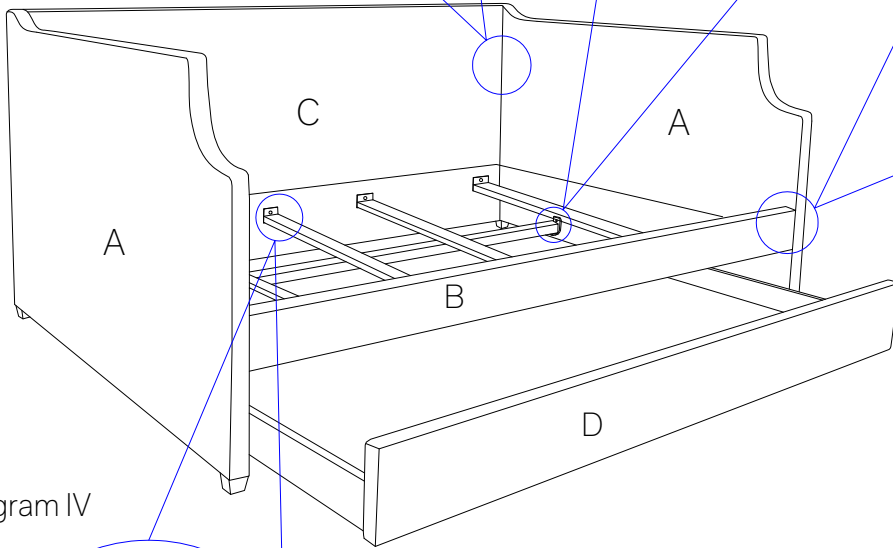
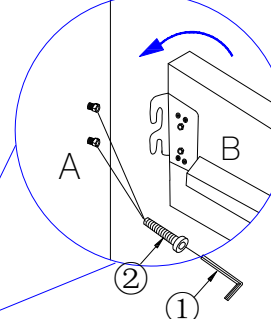


Diagram IV

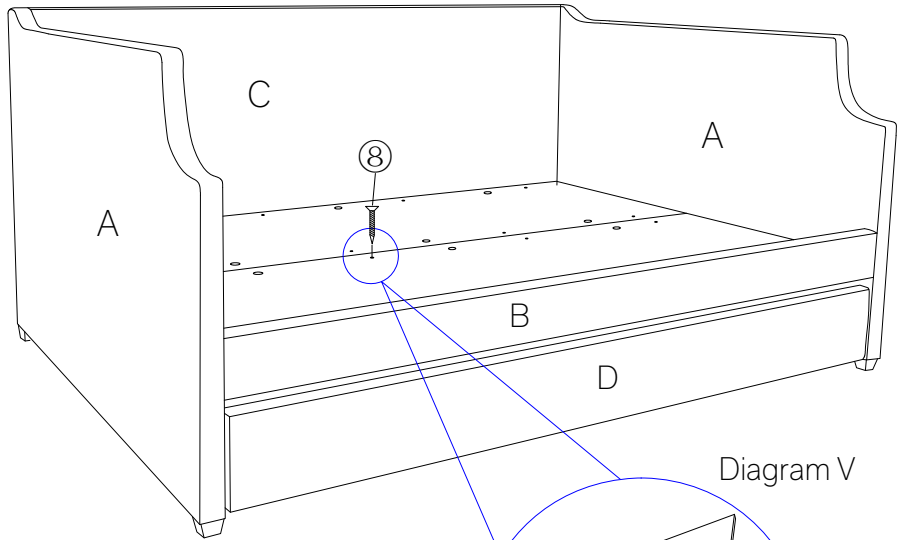
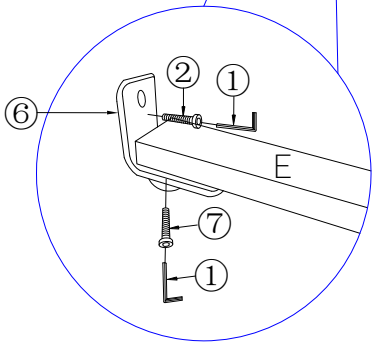


Diagram V

