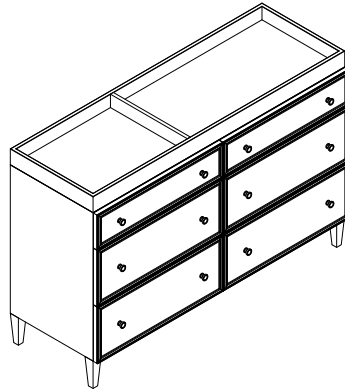



# RHBABY&CHILD

## ALEXANDRA WIDE TOPPER INSTRUCTIONS

Restoration Hardware Baby & Child  
2900 North Macarthur Dr.  
Tracy, CA95376, USA

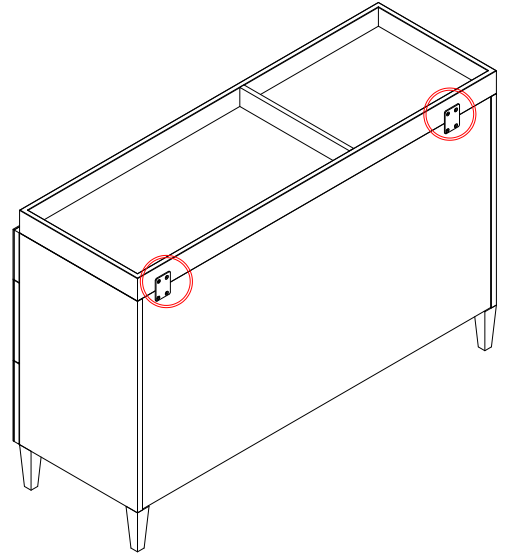
Restoration Hardware Canada, Inc.  
1500-1055 West Georgia St.  
Vancouver, British Columbia V6E 4N7



NO.	ITEM	DESCRIPTION	QTY.
1		Phillips Screws M4 x 15mm	6 pcs.

### WARNING

- \* Adult assembly only owing to the presence of small parts, sharp points and edges.
- \* **FALL HAZARD** - To prevent death or serious injury from falls, always keep child within arms reach.
- \* The surface used should be level, stable, structurally sound, with a minimum surface dimension of 45" by 20".
- \* Read all instructions before use of the item.
- \* Keep the instructions for future reference.
- \* Do not use the changing system if it is damaged or broken.
- \* This changing system is intended to use with children weighing up to 30 lbs.
- \* Cushion pads size is 32" W x 16" D x 4"H.



### CAUTION

WHEN CHILD REACHES A MAXIMUM WEIGHT OF 30 LBS. THE CHANGING TABLE SHALL NO LONGER BE USED.

### PARTS INCLUDED

- A [1] DRESSER
- B [1] TOPPER

### ASSEMBLY INSTRUCTIONS

1. Lift up the topper [B] and gently place on top of the dresser [A], check the distance on both sides of the topper [B] to make sure it is centered correctly.
2. After checking the distance on both sides, engage the metal mending plates at the back of the topper [B] and the dresser [A] using screws [1] provided to fixed it. See FIGURE 1-A, FIGURE 1-B, FIGURE 1-C.

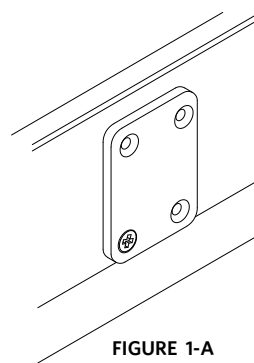


FIGURE 1-A

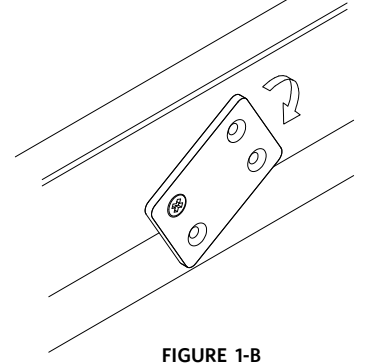


FIGURE 1-B

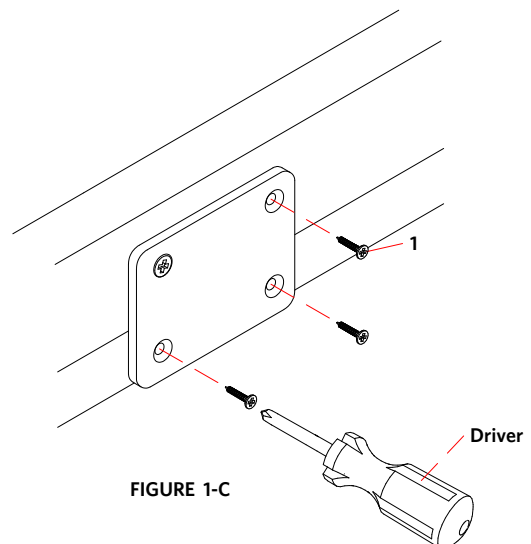


FIGURE 1-C

### CARE INSTRUCTIONS

1. Dust often using a clean, soft, dry and lint-free cloth.
2. Blot spills immediately and wipe with a clean, damp, cloth.
3. We do not recommend the use of chemical cleansers, abrasives or furniture polish on our lacquered finish.

### IMPORTANT SAFETY INSTRUCTIONS

1. Please read all instructions carefully before assembling.
2. For your safety, assembly by two or more adults is strongly recommended.
3. Keep instructions for future use.
4. Use only vendor supplied hardware to assemble. Using unauthorized hardware could jeopardize the structural integrity of the item.