

RHBABY&CHILD

All Restoration Hardware cribs are designed to meet the highest safety standards and comply with all U.S. and Canadian cribs and cradles regulations.

Made in Vietnam

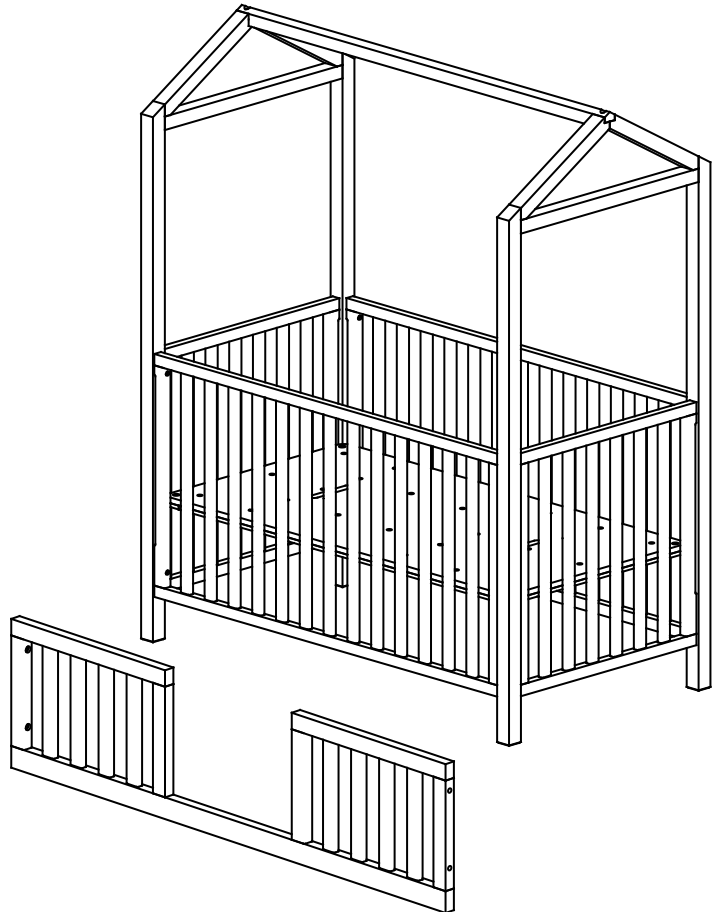
Distributed in the U.S.A by:
Restoration Hardware Baby & Child
11640 Harrel St. Suite B
Mira Loma, CA 91752
www.rhbabycandchild.com

Distributed in Canada by:
Restoration Hardware Canada, Inc.
1500-1055 West Georgia Street
Vancouver, British Columbia V6E4N7

⚠ WARNING: Read all Instructions before assembling this product.

KEEP INSTRUCTIONS FOR FUTURE USE.

Model No: 355 - 111/ 112
COLE HOUSE PANEL CRIB
COLE HOUSE PANEL CRIB TODDLER KIT



TODDLER KIT (SOLD SEPARATELY)

CUSTOMER SERVICE

If you are missing parts or have any questions about this product, contact us first. You can also order parts by writing to the address above. Include the product model number, color, and a brief description of the part. Call 1-800-762-1751.

CARE AND CLEANING

DO NOT scratch or chip the finish. **DO NOT** use abrasive chemicals for cleaning. If the crib is to be stored, store in a cool dry place and carefully package all original hardware to protect from loss.

TOOLS AND INSTALLATION

Tools Necessary: Allen Key (included).

NOTE: It may be easier to assemble product with two people.

NOTE: When inserting bolts, turn clockwise until tight. Then loosen 1/2-3/4 of a turn. After crib is completely assembled, return to each bolt and tighten.

IMPORTANT SAFETY INFORMATION FOR CRIBS



WARNING: Infants can suffocate on soft bedding. Never add a pillow or comforter. Never place additional padding under an infant.



WARNING: Failure to follow these warnings and the assembly instructions could result in serious injury or death.

- Never use plastic shipping bags or other plastic film as mattress covers because they can cause suffocation.
- Infants can suffocate in gaps between crib sides and a mattress that is too small.
- To reduce the risk of SIDS, pediatricians recommend healthy infants be placed on their backs to sleep, unless otherwise advised by your physician.

Strangulation Hazard:

- Strings can cause strangulation! DO NOT place items with a string around a child's neck, such as hood strings or pacifier cords. DO NOT suspend strings over a crib or attach strings to toys.
- To help prevent strangulation tighten all fasteners. A child can trap parts of the body or clothing on loose fasteners.
- DO NOT place crib near window where cords from blinds or drapes may strangle a child.

Fall Hazard:

- When child is able to pull to a standing position, set mattress to lowest position and remove bumper pads, large toys and other objects that could serve as steps for climbing out.
- When child is able to climb out or reaches the height of 35 in (89 cm), the crib shall no longer be used, and the child should be placed in a youth or regular bed.
- Check this product for damaged hardware, loose joints, missing parts or sharp edges before and after assembly and frequently during use. DO NOT use crib if any parts are missing, damaged or broken.
- Contact customer service at 1-800-762-1751 for replacement parts and instructional literature if needed. DO NOT substitute parts.
- DO NOT use a water mattress with this crib.
- If refinishing, use a non-toxic finish specified for children's products.
- Follow warnings on all products in a crib.
- Never use plastic shipping bags or other plastic film as mattress covers because they can cause suffocation.
- Infants can suffocate in gaps between crib sides and a mattress that is too small.

IMPORTANT SAFETY INFORMATION FOR CRIBS

CAUTION: ANY MATTRESS USED IN THIS CRIB MUST BE AT LEAST 27-1/4 INCHES BY 51-5/8 INCHES WITH A THICKNESS NOT EXCEEDING 6 INCHES.



WARNING:

- Do not use this crib if the enclosed or attached instructions cannot be strictly adhered to. Do not use this crib if the child is able to climb out unaided or is taller than 35 1/2 inches (900 mm). Do not place cords, straps or similar items that could become wound around the child's neck in or near this crib. Ensure that the sides are properly latched or locked in place when the crib is occupied. The mattress used with this crib should not be more than 5 7/8 inches (150 mm) thick and should be of such length and width that the gap between the mattress and the sides of the crib is not more than 1 3/16 inches (30 mm) when the mattress is pushed into the corner of the crib.
- Parents should inspect the crib regularly before putting the child in the crib each day and confirm that every component of the crib is properly and securely in place.



WARNING: ENTRAPMENT/ STRANGULATION HAZARD

Infants have died in toddler beds from entrapment and strangulation. Failure to follow these warnings and the assembly instructions could result in serious injury or death.

NEVER use bed with children under 15 months.

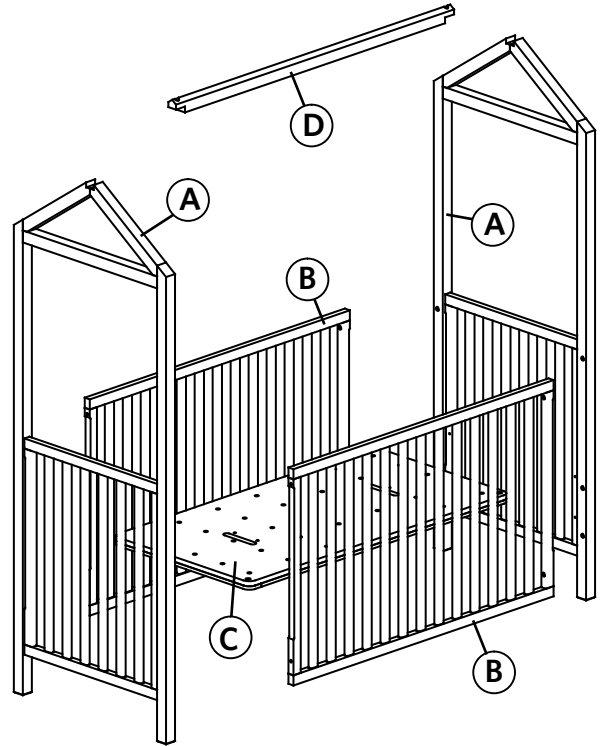
NEVER place bed near windows where cords from blinds or drapes may strangle a child.

- The mattress intended for use on the bed shall be a full-size crib mattress having minimum dimensions of 51 5/8 inches (1310 mm) in length, 27 1/4 inches (690 mm) in width and 4 inches (100 mm) in thickness, not exceeding 6 inches (152 mm) in thickness.
- If guardrails are used as the mattress containment means, guardrail(s) provided must be used to avoid the formation of a gap between the mattress and the bed that could cause an entrapment.
- DO NOT place bed near windows where cords from blinds or drapes may strangle a child.
- DO NOT place items with a string, cord, or ribbon around a child's neck, such as hood strings or pacifier cords.
- A child using the toddler or day bed shall be at least 15 months of age and shall not weigh more than 50 lbs (22.7 kg).

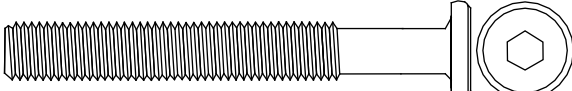
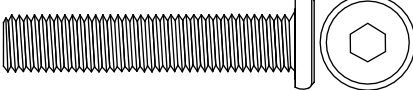


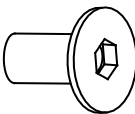
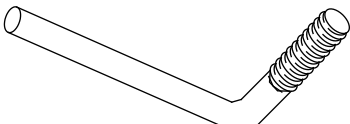

ASSEMBLY INSTRUCTIONS

PARTS INCLUDED:

- A [2] SIDE FRAME
- B [2] STATIONARY SIDE RAIL
- C [1] MATTRESS SUPPORT
- D [1] CENTER STRETCHER



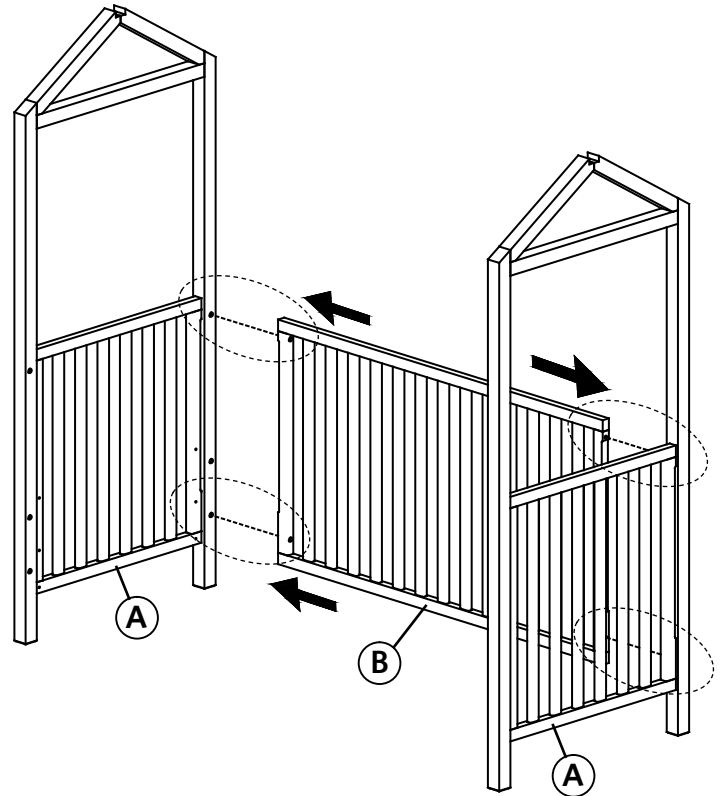
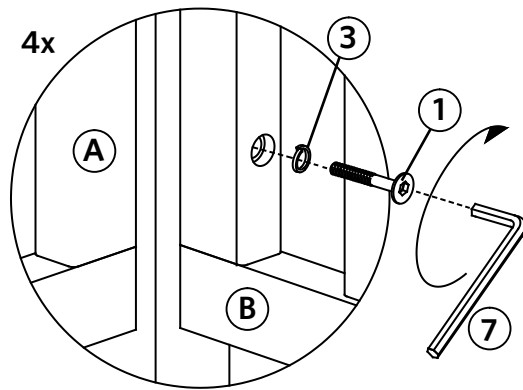
HARDWARE INCLUDED:

NO.	ITEM	DESCRIPTION	QTY.
1		Long Bolts 5/16" x 2-1/4"	8 pcs.
2		Short Bolts 5/16" x 1-1/2"	2 pcs.
3		Spring Washer 5/16"	10 pcs.
4		Flat Washer 5/16"	2 pcs.
5		Insert Head 6mm	4 pcs.
6		L Pin 6mm	4 pcs.
7		Allen Key 4mm	1 pc.

ASSEMBLY INSTRUCTIONS

STEP 1:

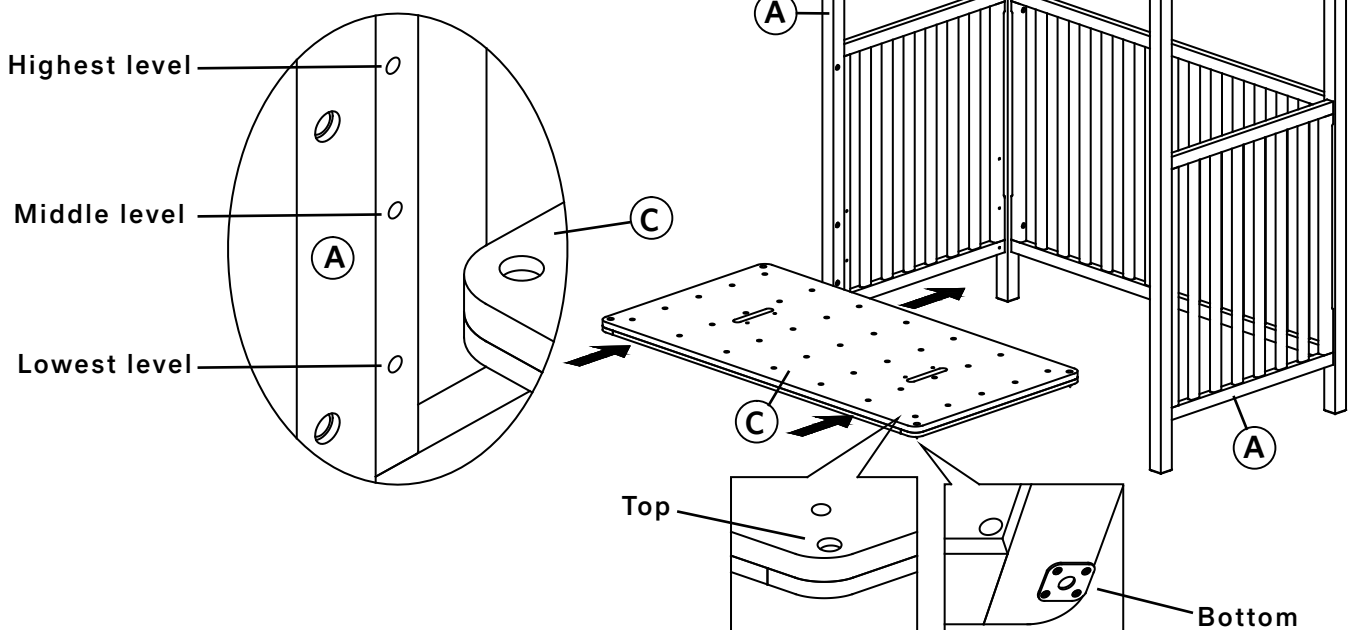
Attach the Stationary Side Rail (B) to the Side Frame (A) with Long Bolt (1), Spring Washer (3), and tighten using Allen Key (7).
DO NOT FULLY TIGHTEN AT THIS TIME.



STEP 2:

Position the Mattress support (C) between the Side Frame (A).

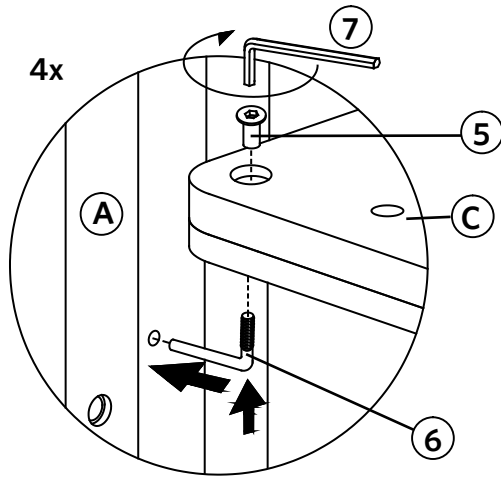
Note: The Mattress support (C) should be at the highest level when the child is born. It must be at the lowest level before the child can stand up. Before installing the Mattress support (C), please ask the customer at which height they want it installed.



ASSEMBLY INSTRUCTIONS

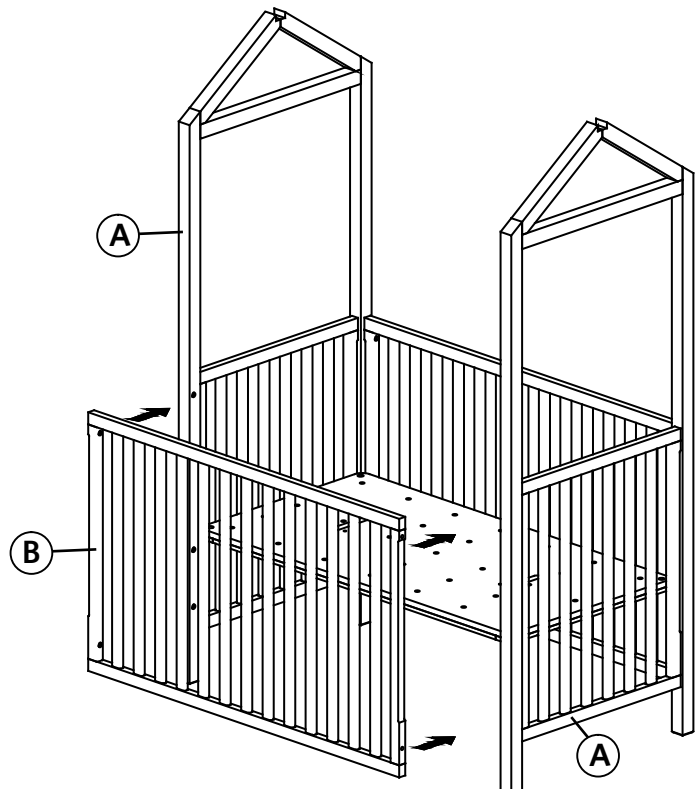
STEP 3:

Insert L Pin (6) into empty openings the bottom of the Mattress Support (C), and into the holes on the Side Frame (A). Tighten with Insert Head (5) and Allen Key (7).



STEP 4:

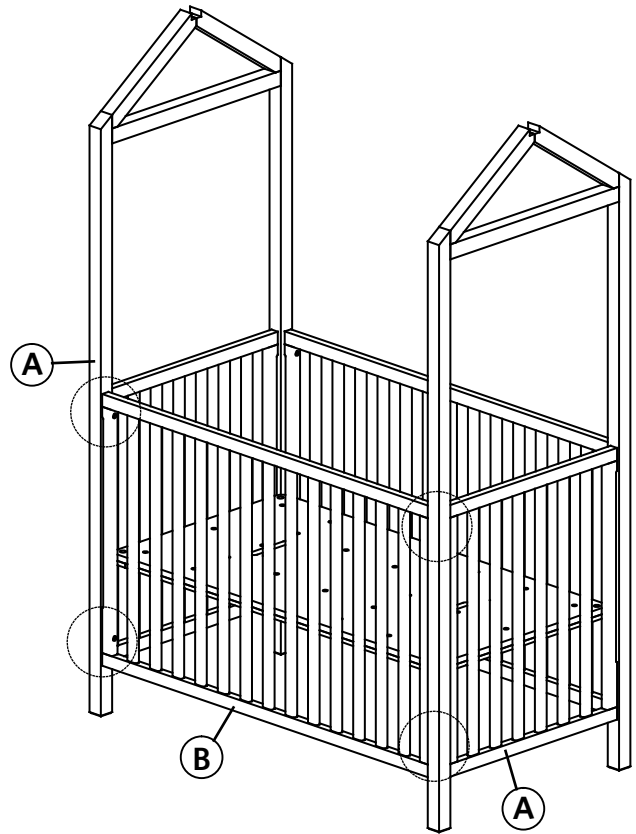
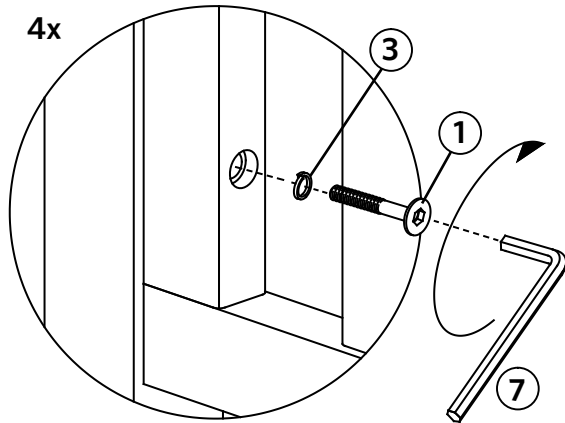
Position the Stationary Side rail (B) between the Side Frame (A) and align the holes.



ASSEMBLY INSTRUCTIONS

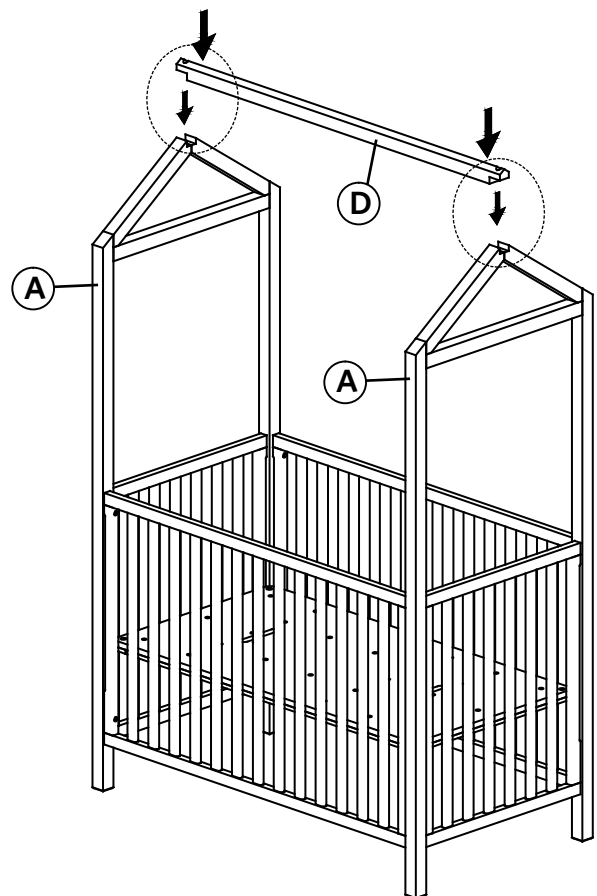
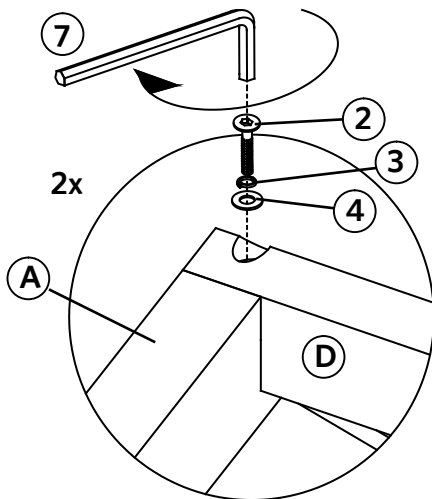
STEP 5:

Attach the Stationary Side Rail (B) to the Side Frame (A) with Long Bolt (1), Spring Washer (3), and tighten using Allen Key (7).



STEP 6:

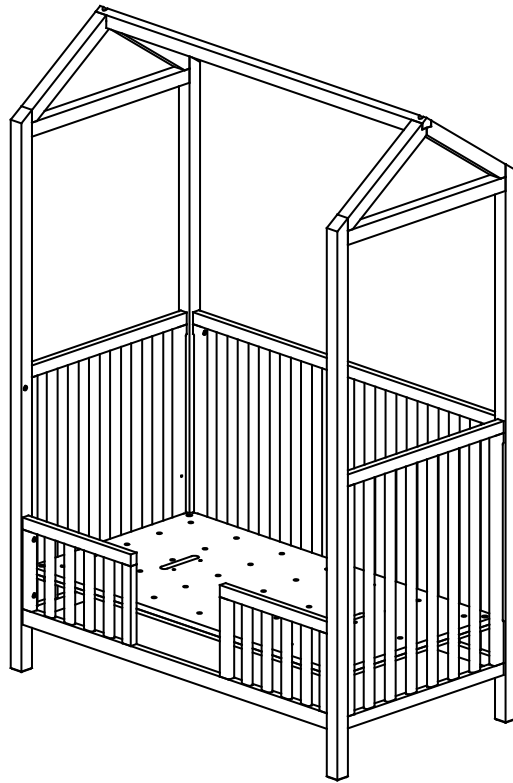
Attach the Center Stretcher (D) on the top of the Side Frame (A) with Short Bolt (2), Spring Washer (3), Flat Washer (4), and tighten using Allen Key (7).



WARNING:

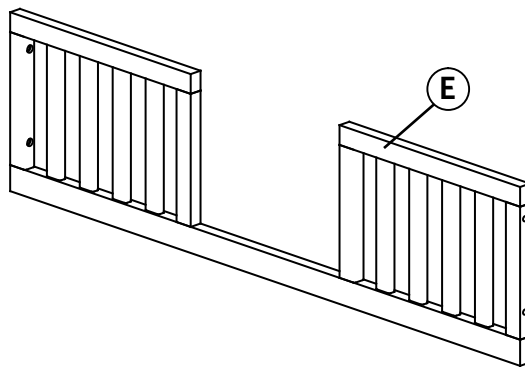
After crib is completely assembled, return to each bolt and tighten to snug fit. DO NOT over tighten.

COLE HOUSE TODDLER KIT ASSEMBLY INSTRUCTIONS

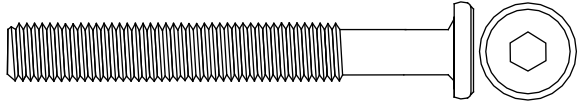
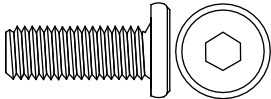




PARTS INCLUDED:

E [1] TODDLER RAIL



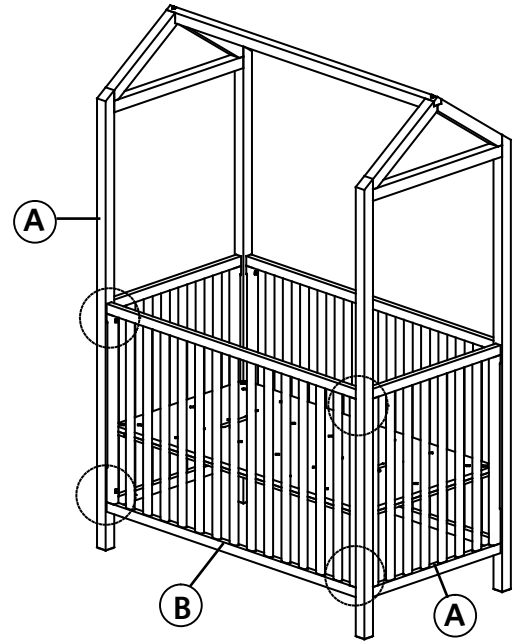
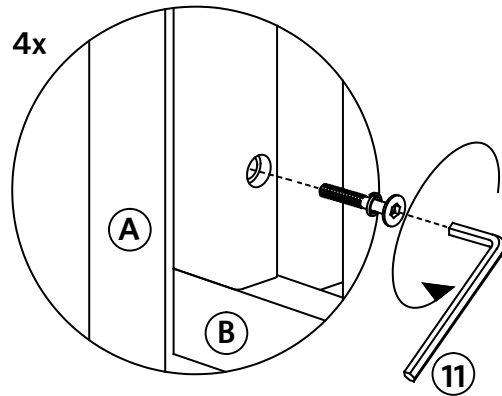
HARDWARE INCLUDED:

NO.	ITEM	DESCRIPTION	QTY.
8		Long Bolts 5/16" x 2-1/4"	4 pcs.
9		Small Bolts 5/16" x 3/4"	2 pcs.
10		Spring Washer 5/16"	6 pcs.
11		Allen Key 4mm	1 pc.

COLE HOUSE TODDLER KIT ASSEMBLY INSTRUCTIONS

STEP 7:

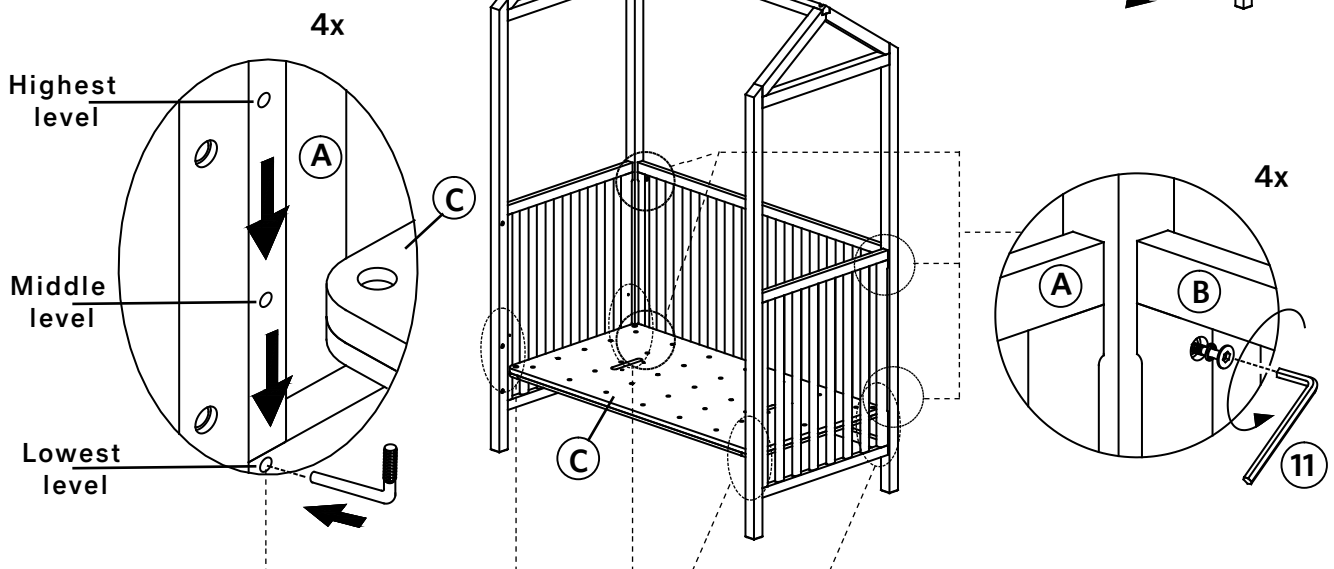
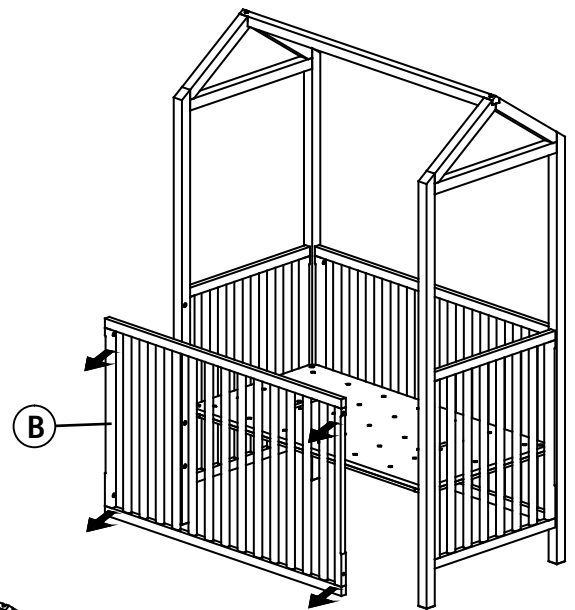
Remove Stationary Side Rail (B) from the crib by carefully unscrewing and removing the (4pcs) Long bolts with spring washer on Left /Right sides of the Stationary Side Rail (B) using Allen Key (11).



STEP 8:

If mattress support is not in the lowest position, loosen all tightened bolts from side frames. Spread front of crib open enough to remove mattress support (C), and move it to the lowest position.

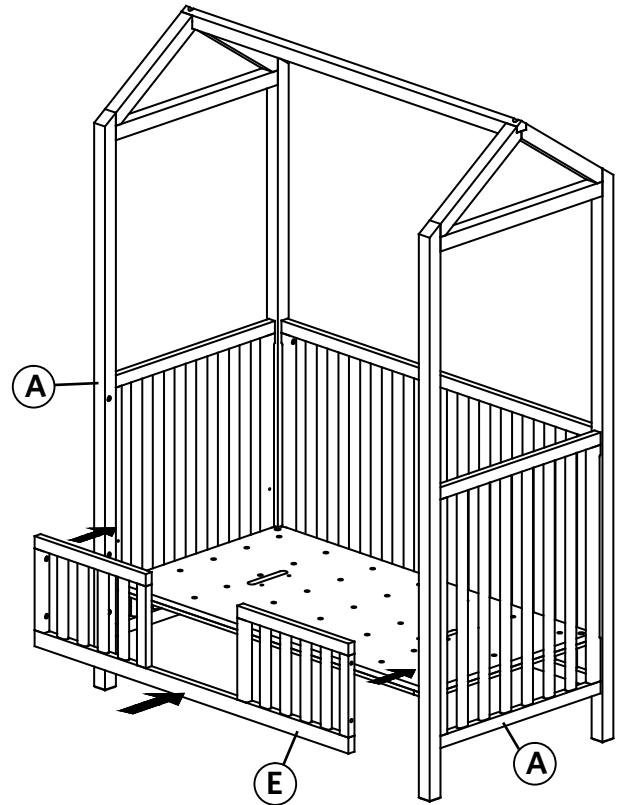
Note: The Mattress support (C) must be at the lowest level for a toddler bed.



COLE HOUSE TODDLER KIT ASSEMBLY INSTRUCTIONS

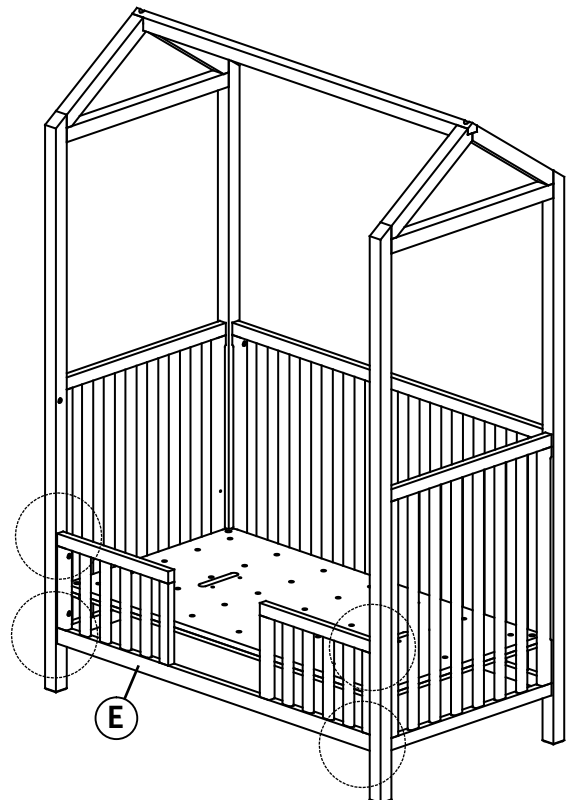
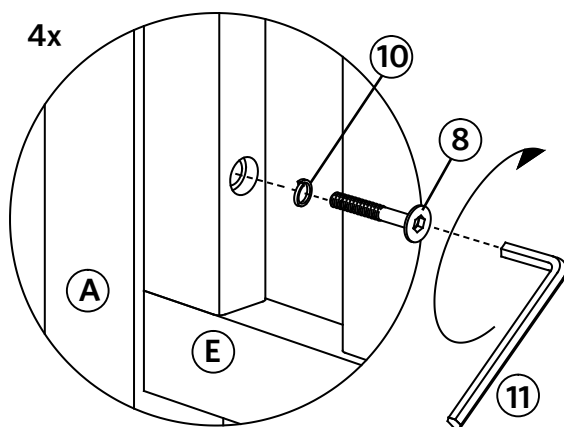
STEP 9:

Position the Toddler Rail (E) between the Side Frame (A) and align the holes.



STEP 10:

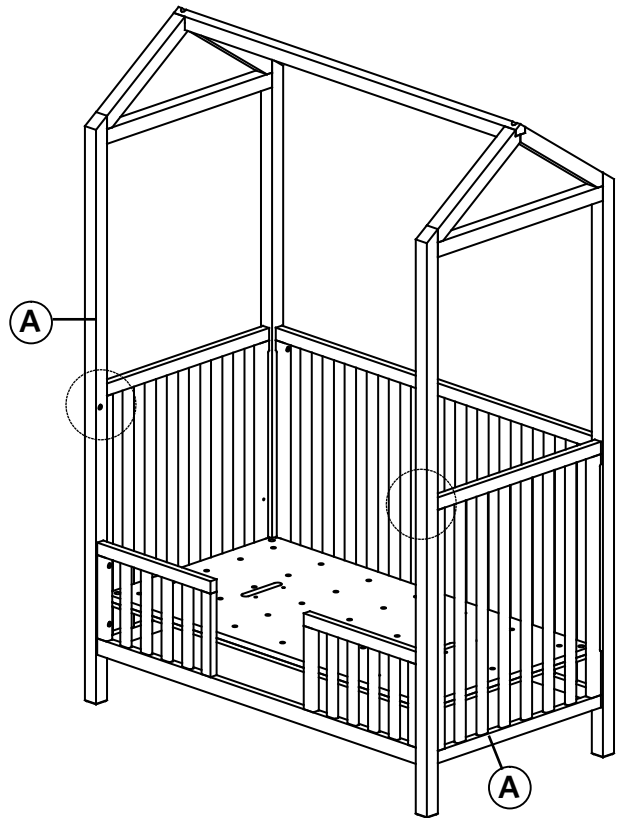
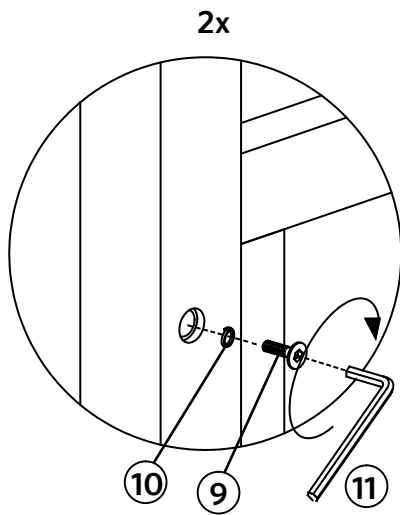
Attach the Toddler Rail (E) to the crib by securing with Long Bolts (8), Spring Washers (10), and tighten with Allen Key (11).



COLE HOUSE TODDLER KIT ASSEMBLY INSTRUCTIONS

STEP 11:

When converting the crib to toddler bed, the Small Bolt (9), and Spring Washer (10) should be inserted in the upper holes of the Side Frame (A) and tighten with the Allen Key (11).



WARNING:

After crib is completely assembled, return to each bolt and tighten to snug fit. DO NOT over tighten.