

RHBABY&CHILD

COLE HOUSE CRIB TODDLER BED KIT

Made in Vietnam

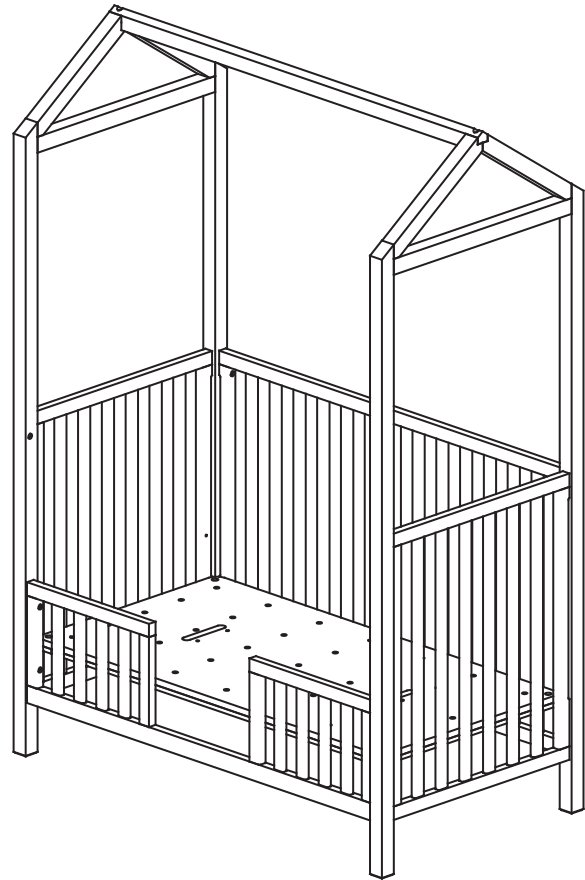
Model No: 355 - 112

Distributed in the U.S.A by:
RH Baby&Child
2900 N MACARTHUR DRIVE
TRACY, CA 95376
www.rhbabyandchild.com

Distributed in Canada by:
RH Canada, Inc.
1500-1055 West Georgia Street
Vancouver, British Columbia
V6E4N7



WARNING: Read all
Instructions before assembling
this product.
KEEP INSTRUCTIONS FOR
FUTURE USE.



1. Read all instructions before assembly crib. Keep instructions for future use.
2. Never use plastic shipping bags or other plastic film as mattress covers because they can cause suffocation.
3. Infants can suffocate in gaps between crib sides and a mattress that is too small.

CUSTOMER SERVICE

If you are missing parts or have any questions about this product, contact us first. You can also order parts by writing to the address above. Include the product model number, color, and a brief description of the part. Or call 1-800-762-1751.

CARE AND CLEANING

DO NOT scratch or chip the finish. DO NOT use abrasive chemicals for cleaning. If the crib is to be stored, store in a cool, dry place and carefully package all original hardware to protect from loss.

TOOLS AND INSTALLATION

Tools needed: Key Wrench (included).

Two people are recommended for assembly.

When inserting bolts, turn clockwise until tight. Then loosen 1/2-3/4 of a turn. After bed is completely assembled, return to each bolt and tighten.



WARNING: ENTRAPMENT/STRANGULATION HAZARD

Infants have died in toddler beds from entrapment and strangulation. Failure to follow these warnings and the assembly instructions could result in serious injury or death.

NEVER use bed with children under 15 months.

NEVER place bed near windows where cords from blinds or drapes may strangle a child.

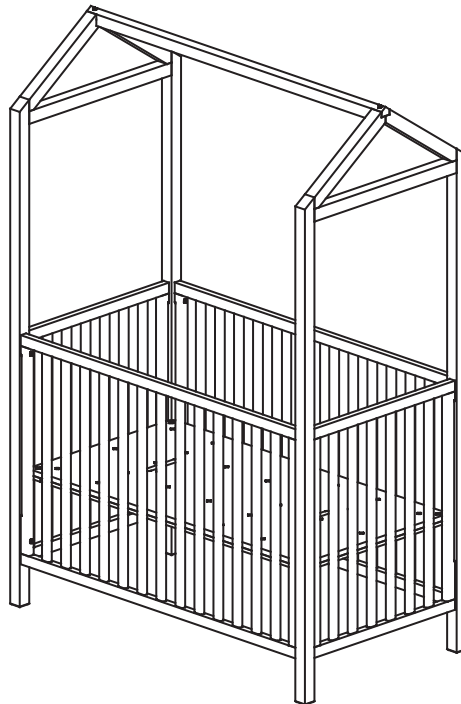
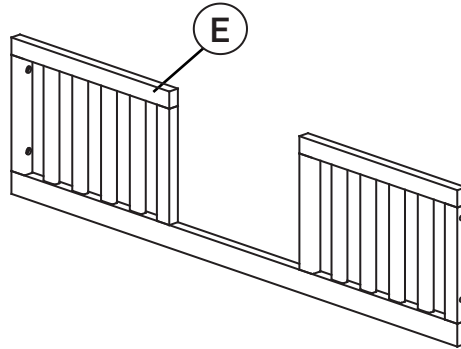
- The mattress intended for use on the bed must be a full-size crib mattress having minimum dimensions of 51 5/8 inches (1310mm) in length, 27 1/4 inches (690mm) in width and 4 inches (100mm) in thickness, not exceeding 6 inches (152mm) in thickness.
- If guardrails are used as the mattress containment means, guardrail(s) provided must be used to avoid the formation of a gap between the mattress and the bed that could cause an entrapment.
- DO NOT place bed near windows where cords from blinds or drapes may strangle a child.
- DO NOT place items with a string, cord, or ribbon around a child's neck, such as hood strings or pacifier cords.
- A child using the toddler or day bed must be at least 15 months of age and must not weigh more than 50 lbs (22.7kg).

RHBABY&CHILD

COLE HOUSE CRIB TODDLER BED KIT

PARTS INCLUDED:

E[1] TODDLER RAIL



HARDWARE INCLUDED:

NO.	ITEM	DESCRIPTION	QTY.
8		Long Bolts 5/16" x 2-1/4"	4 pcs.
9		Small Bolts 5/16" x 3/4"	2 pcs.
10		Spring Washer 5/16"	6 pcs.
11		Allen Key 4mm	1 pc.

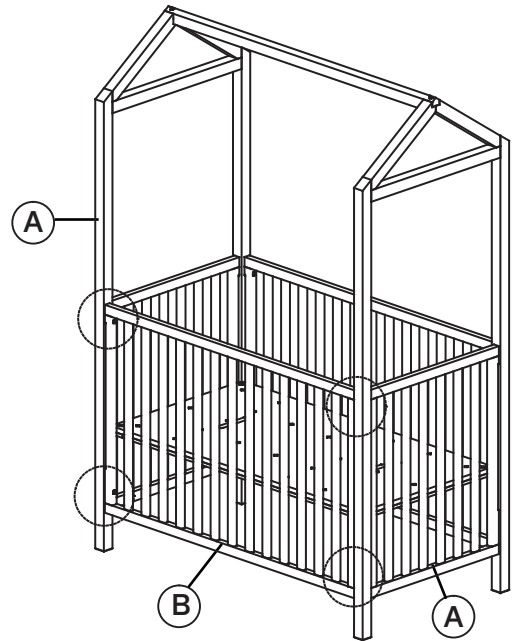
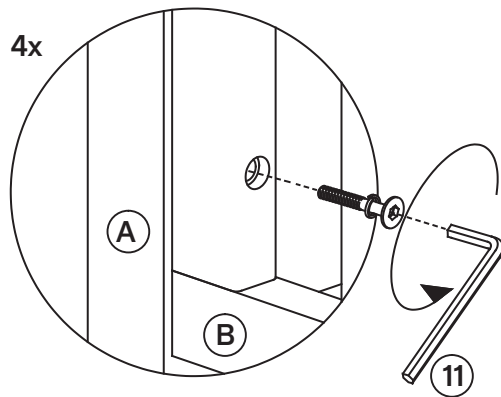
RH BABY & CHILD

COLE HOUSE CRIB TODDLER BED KIT

ASSEMBLY INSTRUCTIONS

STEP 1:

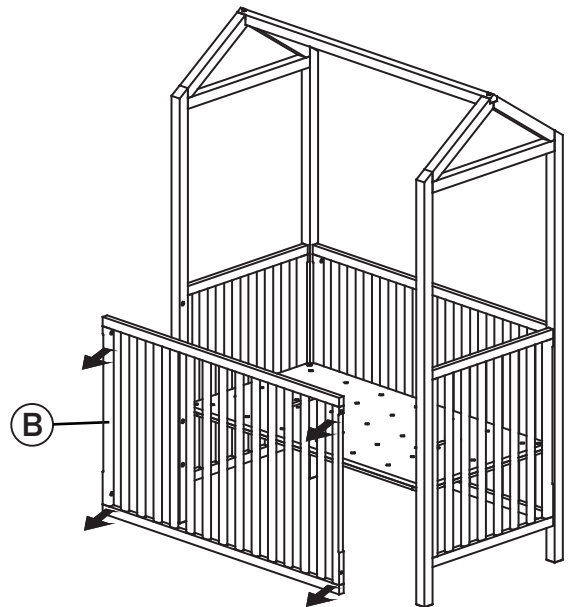
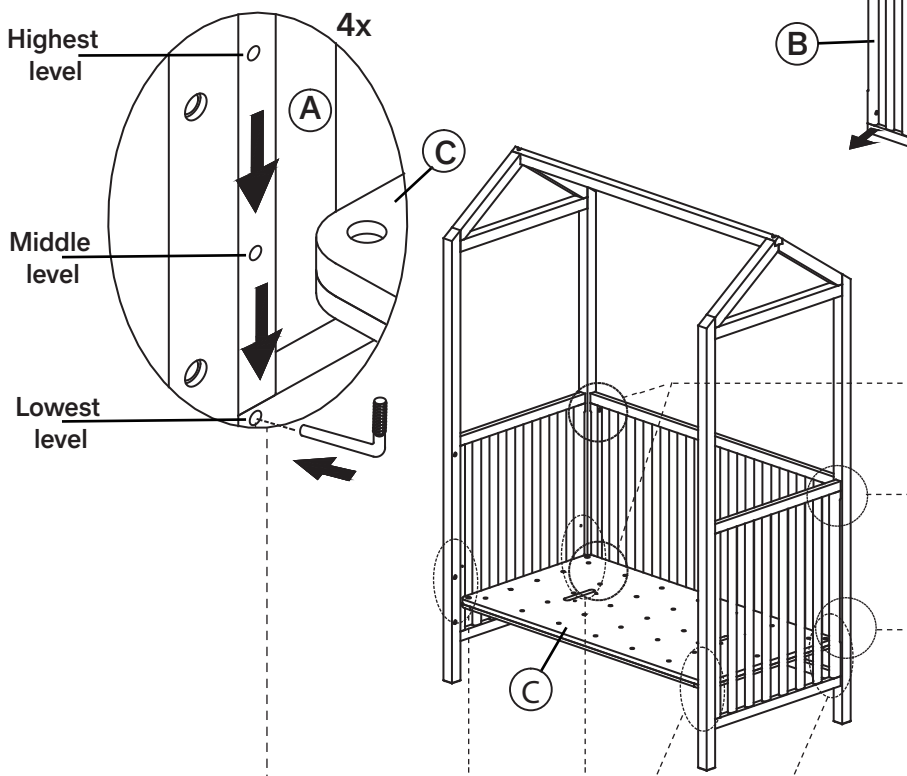
Remove Stationary Side Rail (B) from the crib by carefully unscrew and remove the 4 long bolts with spring washer on Left/Right sides of the Stationary Side Rail (B) using Allen Key (11).



STEP 2:

If mattress support is not in the lowest position, loosen all tightened bolts from side frames. Spread front of crib open enough to remove Mattress Support (C), and move it to the lowest position.

Note: The Mattress Support (C) must be at the lowest level for a toddler bed.

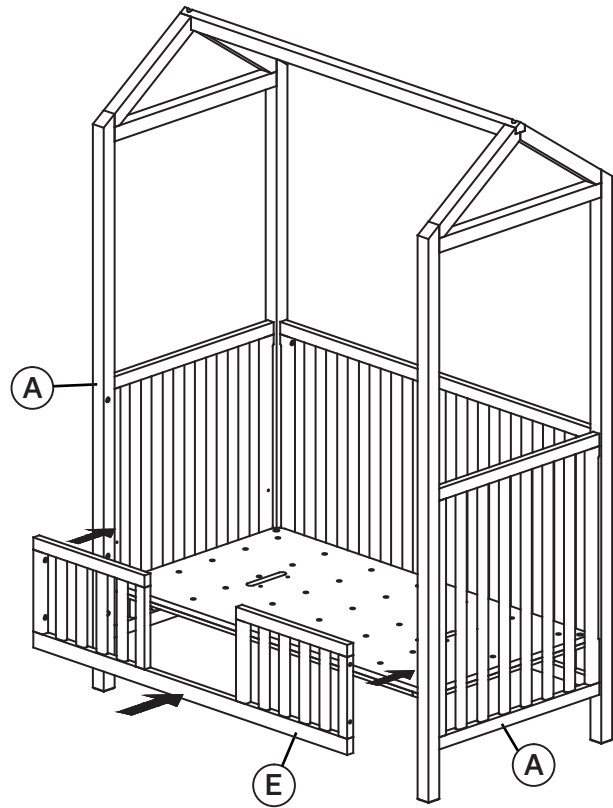


RH BABY & CHILD

COLE HOUSE CRIB TODDLER BED KIT

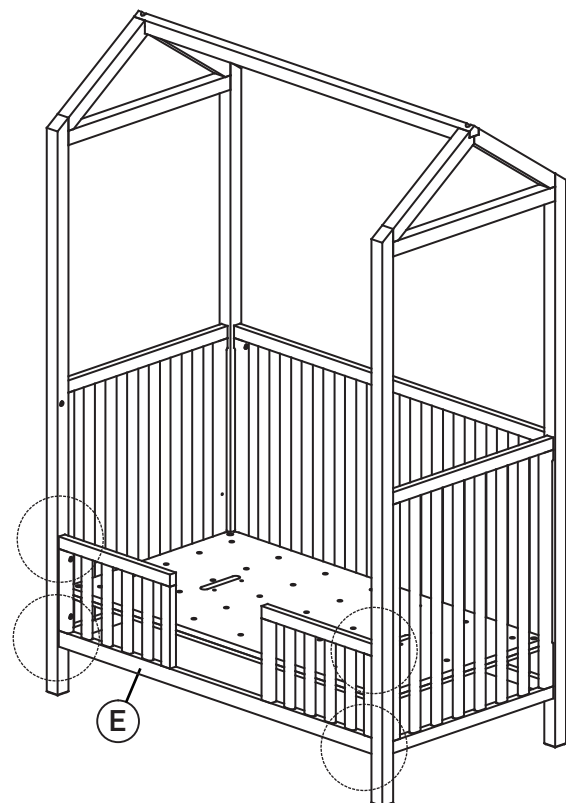
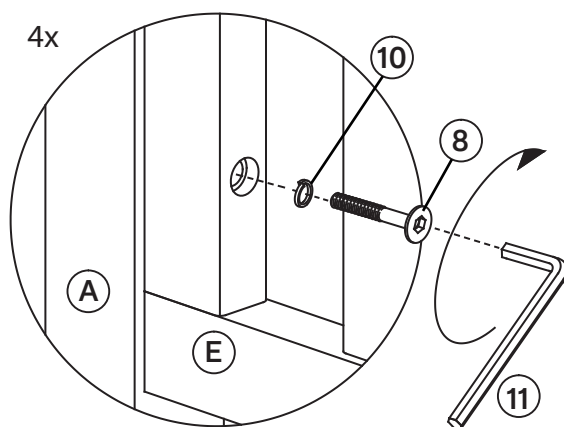
STEP 3:

Position the Toddler Rail (E) between the Side Frame (A) and align the holes.



STEP 4:

Attach the Toddler Rail (E) to the crib by securing with Long Bolts (8), Spring Washers (10), and tighten with Allen Key (11).

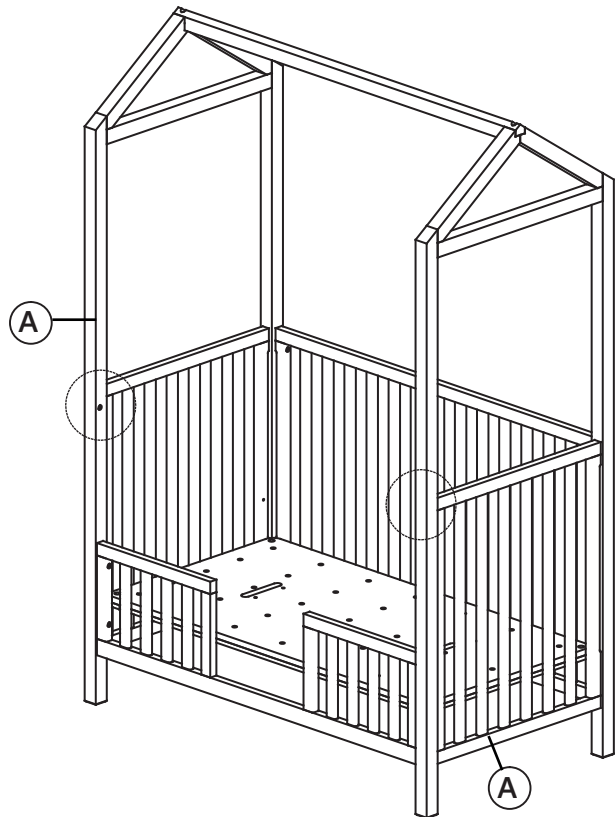
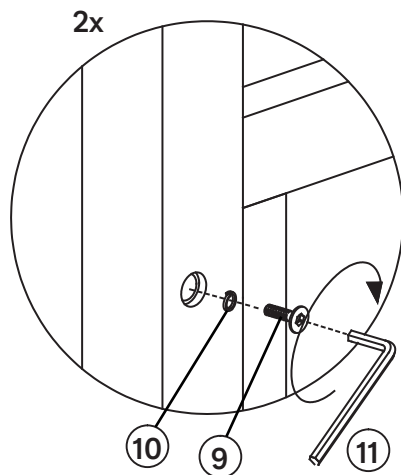


RH BABY & CHILD

COLE HOUSE CRIB TODDLER BED KIT

STEP 5:

When converting the crib to toddler bed, the Small Bolt (9), and Spring Washer (10) should be inserted in the upper holes of the Side Frame (A) and tighten with the Allen Key (11).



WARNING:

After crib is completely assembled, return to each bolt and tighten to snug fit.
DO NOT over tighten.

CARE INSTRUCTIONS:

1. DUST OFTEN USING A CLEAN, SOFT, DRY LINT- FREE CLOTH.
2. BLOT SPILLS IMMEDIATELY AND WIPE WITH A CLEAN, DAMP CLOTH.
3. DO NOT USE CHEMICAL CLEANSERS, ABRASIVES OR FURNITURE POLISH ON THE LACQUERED FINISH.