

# RH BABY & CHILD





## CALLUM PLAY TABLE INSTRUCTIONS

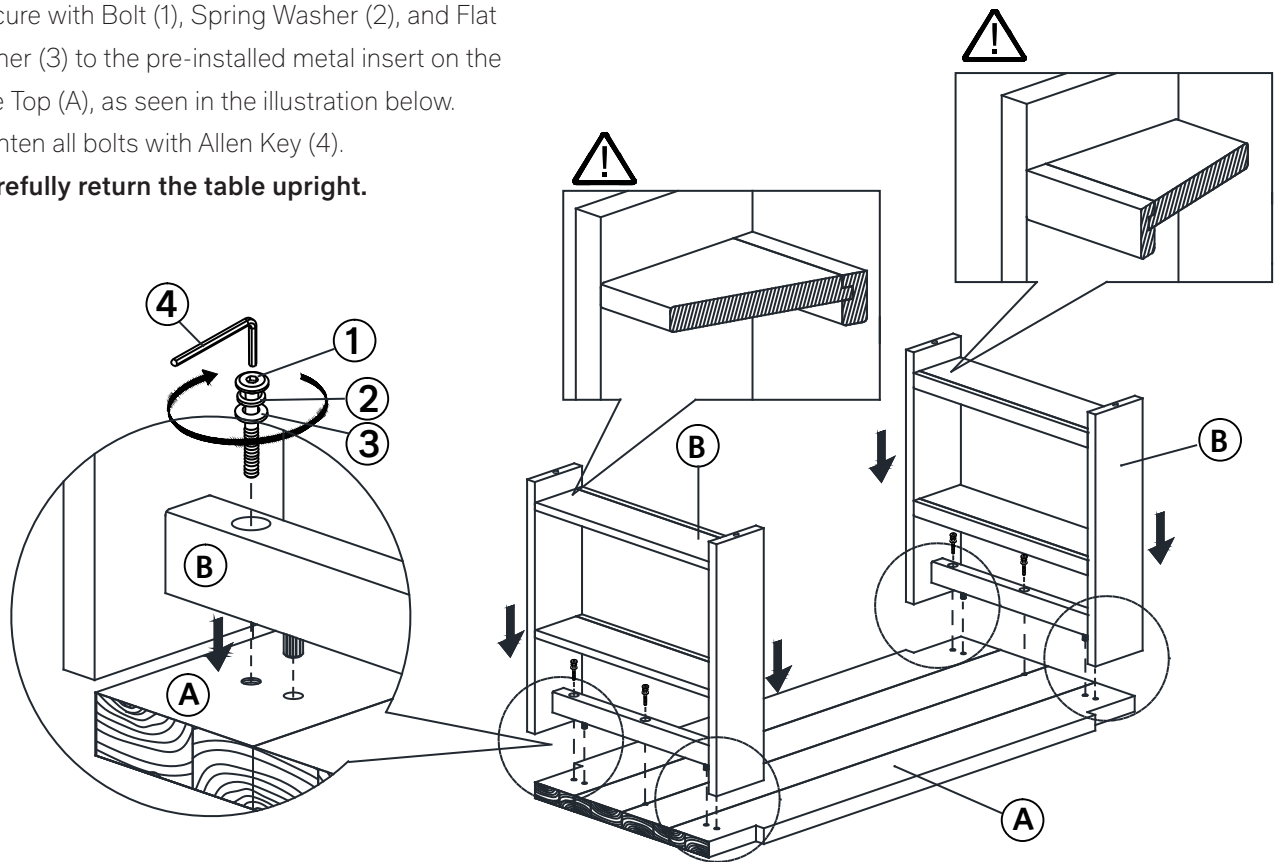
### PARTS INCLUDED:

A [1] TABLE TOP  
B [2] TABLE BASE

### ASSEMBLY INSTRUCTIONS:

- Place the Table Top (A) upside down on a soft, padded surface to prevent scratches.
- Attach the Table Base (B) to the Table Top (A), by aligning the pre-installed wooden dowel on the Table Base (B) with the pre-drilled holes on Table Top (A).
- Secure with Bolt (1), Spring Washer (2), and Flat Washer (3) to the pre-installed metal insert on the Table Top (A), as seen in the illustration below.
- Tighten all bolts with Allen Key (4).
- **Carefully return the table upright.**

NO.	ITEM	DESCRIPTION	QTY.
1		Bolt 5/16" x 2"	6 pcs.
2		Spring Washer 5/16"	6 pcs.
3		Flat Washer 5/16"	6 pcs.
4		Allen Key 4mm	1 pc.



### CARE INSTRUCTIONS:

1. Dust often using a clean, soft, dry lint-free cloth.
2. Blot spills immediately, and wipe with a clean, damp cloth.
3. We do not recommend the use of chemical cleansers, abrasives, or furniture polish on our lacquered finish.

