

RHBABY&CHILD

ALEXANDRA TUFTED TODDLER BED CONVERSION KIT INSTRUCTIONS

Made in Vietnam

Distributed in the U.S.A. by:

Restoration Hardware Baby & Child

10640 Harrel St. Suite B

Mira Loma, CA 91752

www.rhbabyandchild.com

Distributed in Canada by:

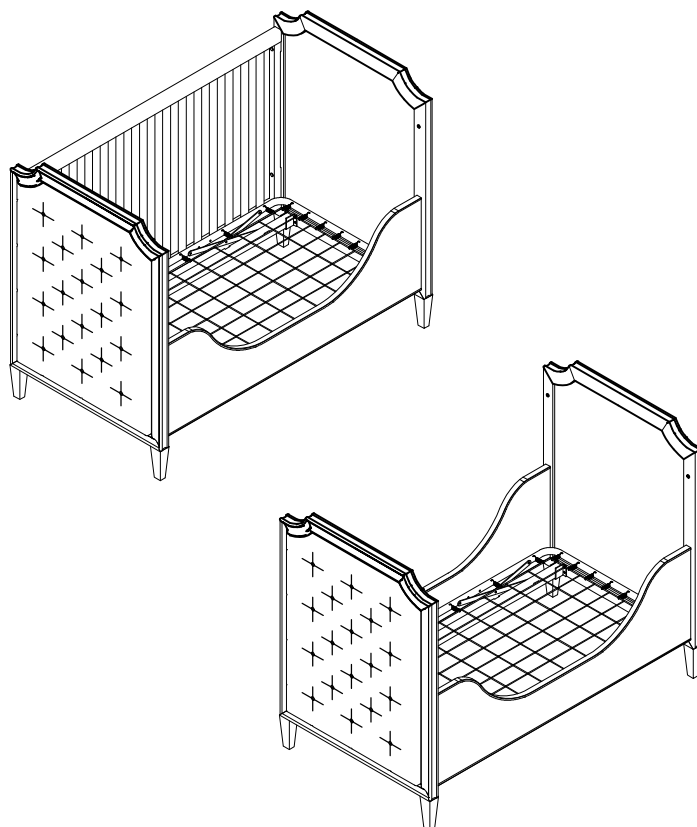
Restoration Hardware Canada, Inc.

1500-1055 West Georgia Street

Vancouver, British Columbia V6E4N7



WARNING: Read all instructions before assembling this product. KEEP INSTRUCTIONS FOR FUTURE USE.



CUSTOMER SERVICE

If you are missing parts or have any questions about this product, contact us first. You can also order parts by writing to the address above. Include the product model number, color, and a brief description of the part. Call 1-800-762-1751.

CARE AND CLEANING

DO NOT scratch or chip the finish. DO NOT use abrasive chemicals for cleaning. Dust often using a clean, soft, dry cloth. Blot spills immediately and wipe with a clean damp cloth. If the crib is to be stored, store in a cool dry place and carefully package all original hardware to protect from loss.

TOOLS AND INSTALLATION

Tools Necessary: Allen Key (included)

NOTE: It may be easier to assemble product with two people.

NOTE: When inserting bolts, turn clockwise until tight. Then loosen $\frac{1}{2}$ - $\frac{3}{4}$ of a turn. After crib is completely assembled, return to each bolt and tighten. Use wax or soap on all bolts to facilitate assembly

WARNING: ENTRAPMENT / STRANGULATION HAZARD

Infants have died in toddler beds from entrapment and strangulation. Failure to follow these warnings and the assembly instructions could result in serious injury or death.

NEVER use bed with children under 15 months.

NEVER place bed near windows where cords from blinds or drapes may strangle a child.

- The mattress intended for use on the bed shall be a full-size crib mattress having minimum dimensions of 51-5/8 inches (1310mm) in length, 27-1/4 inches (690mm) in width and 4 inches (100 mm) in thickness, not exceeding 6 inches (152 mm) in thickness.
- If guardrails are used as the mattress containment means, guardrail(s) provided must be used to avoid the formation of a gap between the mattress and the bed that could cause an entrapment.
- DO NOT place bed near windows where cords from blinds or drapes may strangle a child.
- DO NOT place items with a string, cord, or ribbon around a child's neck, such as hood strings or pacifier cords.
- DO NOT suspend strings over a toddler bed for any pacifier cords.
- A child using the toddler or day bed shall be at least 15 months of age and shall not weigh more than 50lbs (22.7kgs).



WARNING: ADULT ASSEMBLY ONLY, OWING TO THE PRESENCE OF SMALL PARTS, SHARP POINTS AND EDGES.

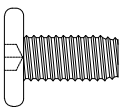
C A U T I O N

TODDLER BED: THE MINIMUM AGE SHALL NOT BE LESS THAN 15 MONTHS AND THE MAXIMUM WEIGHT SHALL NOT BE GREATER THAN 50LBS. (22.7 KG).

THE MATTRESS INTENDED FOR USE ON THE BED SHALL BE A FULL-SIZE CRIB MATTRESS HAVING MINIMUM DIMENSIONS OF 51-5/8 IN. (1310MM) IN LENGTH, 27-1/4 IN.(690MM)IN WIDTH AND 4 IN. (100MM) IN THICKNESS NOT EXCEEDING 6 IN. (152MM) IN THICKNESS.

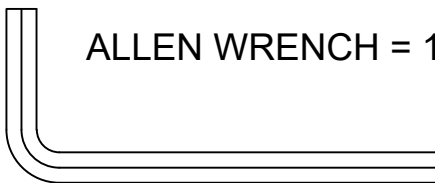
CARE INSTRUCTIONS:

- Dust often using a clean, soft, dry, lint- free cloth.
- Blot spills immediately, and wipe with a clean, damp cloth.
- We do not recommend the use of chemical cleaners, abrasives, or furniture polish on our lacquered finish.

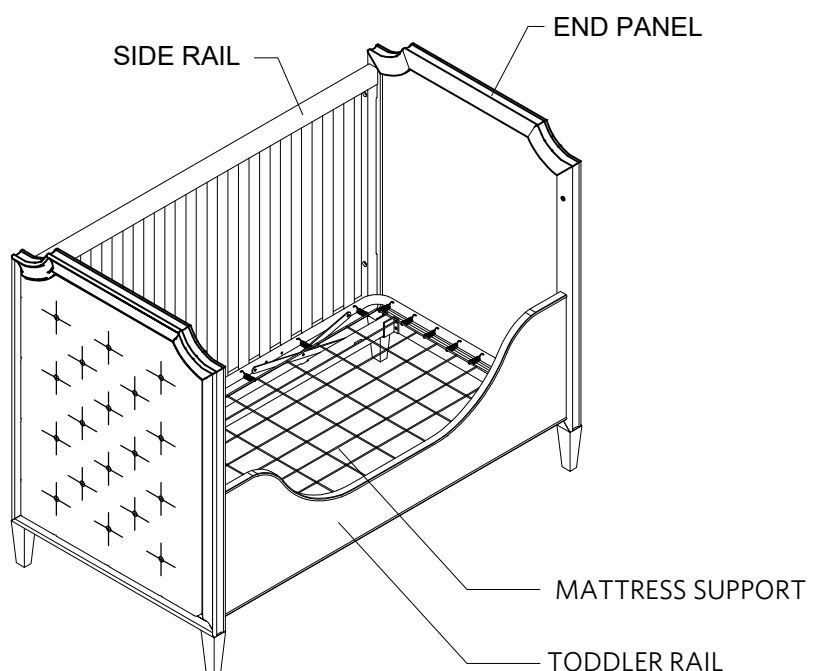


1/4" x 1/2" BOLT = 4 PCS

TODDLER KIT ASSEMBLY
HARDWARE IS INCLUDED IN
THE TODDLER KIT BOX.



ALLEN WRENCH = 1 PC



ASSEMBLY INSTRUCTIONS

STEP #1. CRIB DISASSEMBLY

STEP #1.1:

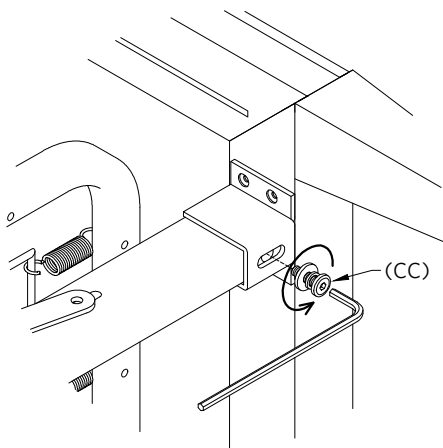
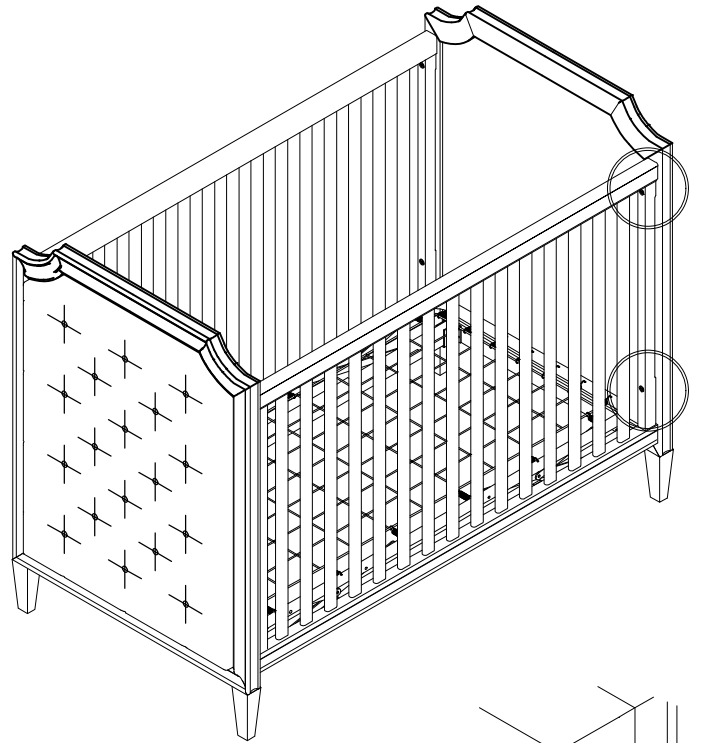
Remove the front rail panel of the crib by loosening all the bolts installed, as in **DETAIL A**.

STEP #1.2:

Lay down the crib and remove the bolts underneath the metal brackets holding the stabilizer rails as in **DETAIL B**. Remove the mattress support and the stabilizer rails from the metal bracket on the end panels.

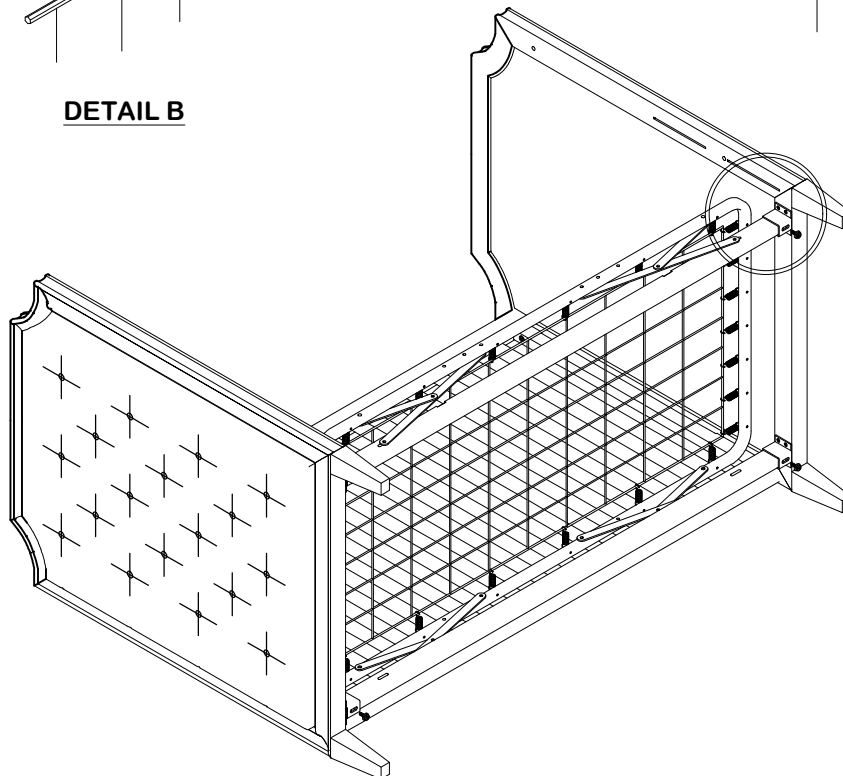
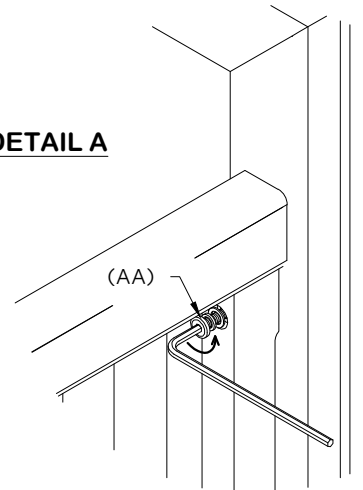
STEP #1.3:

Disassemble the back rail panel and the end panels by loosening all the bolts installed. Refer to step #1.1.



DETAIL B

DETAIL A



STEP #2. TODDLER RAIL ASSEMBLY.

NOTE: For the toddler bed, you can replace the front side rail panel with a toddler rail, or you also can replace both side rail panels with two toddler rails.

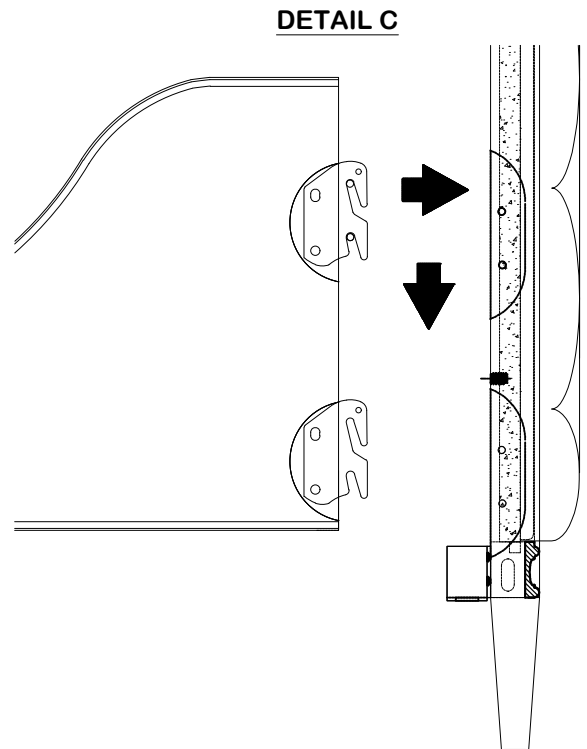
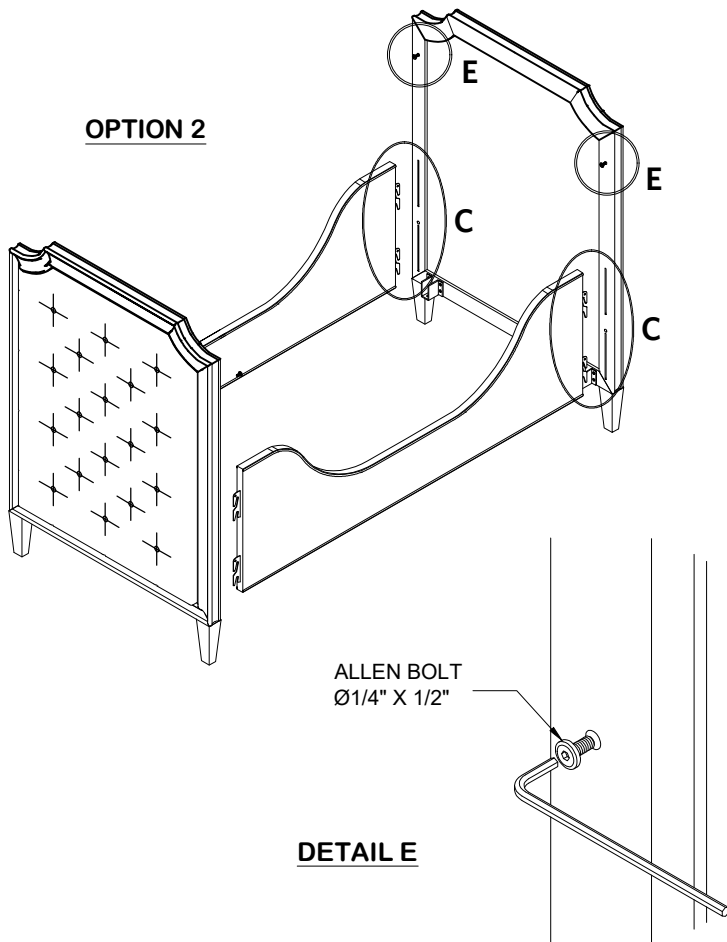
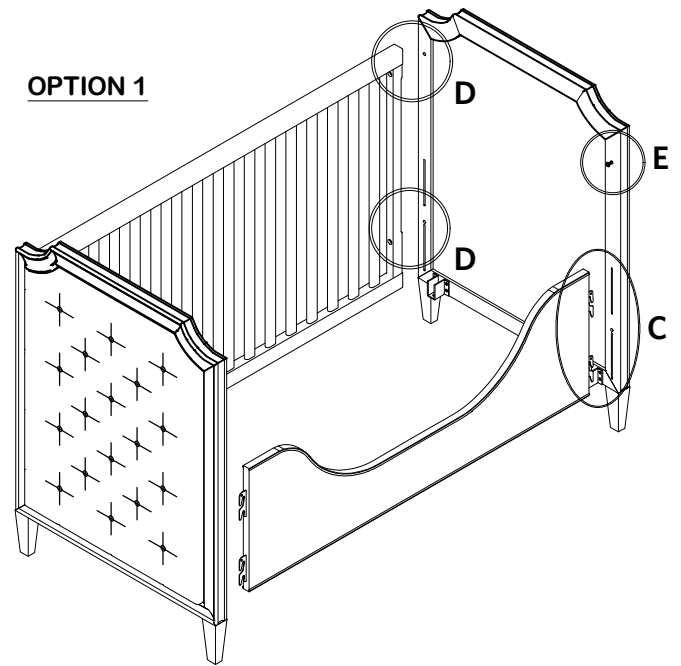
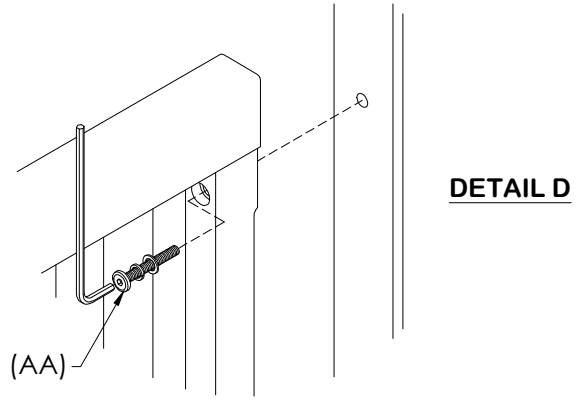
STEP #2.1

On inside face of both end panels have a cavity for the hook which corresponds to the hooks on both ends of the toddler rails. Align and insert the hook of the toddler rail into the cavity of the end panel. See **DETAIL C**.

Attach the back side rail panel to the end panels if you decide to use the bed with one side rail panel and one toddler rail. See **DETAIL D**.

STEP #2.2

Fill the holes located on the top of both sides of the end panel by inserting Allen bolt provided. See **DETAIL E**.



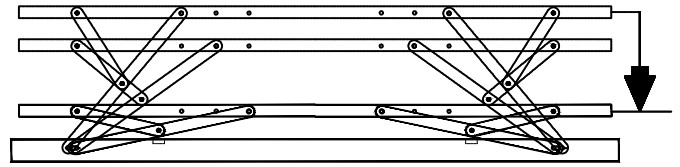
**STEP #3
MATTRESS SUPPORT HEIGHT ADJUSTMENT**

NOTE: If mattress supports is not in the lowest position.

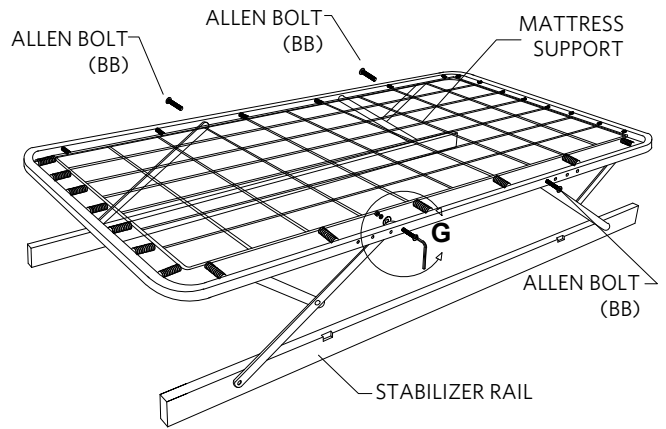
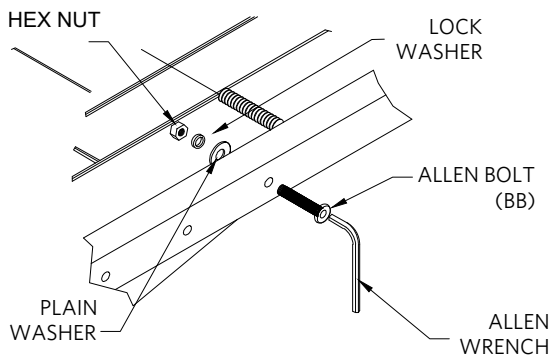
STEP #3.1 loosen and remove all bolts (BB) on both sides of the frame of mattress support.

STEP #3.2 Re-install the bolt on the third hole of the frame through the hole on the arm support. Fasten the bolt with plain washers, lock washers & hexagonal nut. Repeat procedure on the other arms of the mattress support. See **DETAIL F & DETAIL G**.

DETAIL F

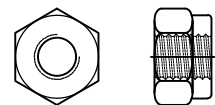


DETAIL G

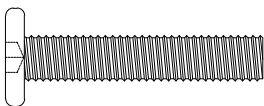


HARDWARE

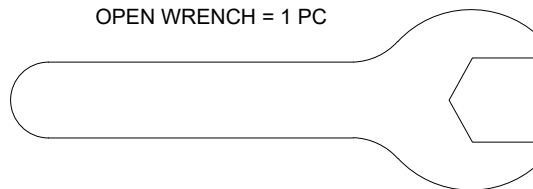
HEXAGONAL NUT = 8 PCS



(BB) 1/4" X 1-1/4" BOLT = 8 PCS



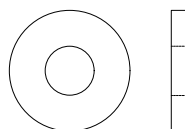
OPEN WRENCH = 1 PC



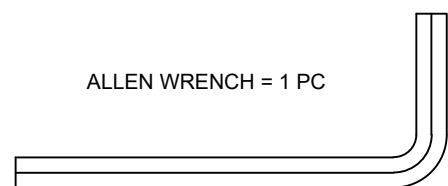
LOCK WASHER = 8 PCS



PLAIN WASHER = 8 PCS



ALLEN WRENCH = 1 PC



**STEP #4
INSTALLATION OF STABILIZER RAILS
INTO THE END PANEL**

STEP #4.1

On inside face of both end panels are pre-installed metal brackets, designed to hold the stabilizer rails. Set both ends of the stabilizer rails into brackets, as illustrated in **DETAIL H**.

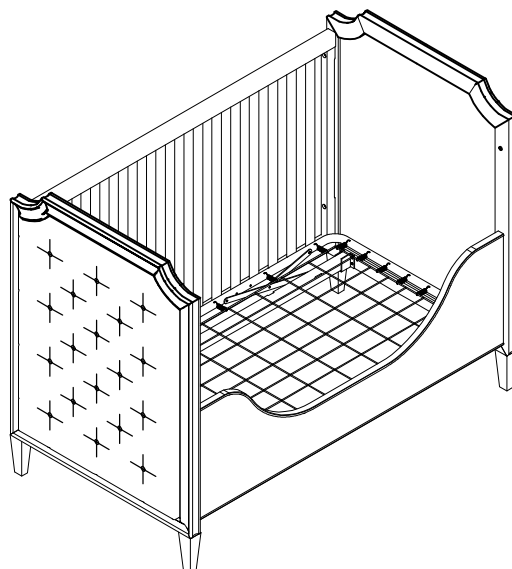
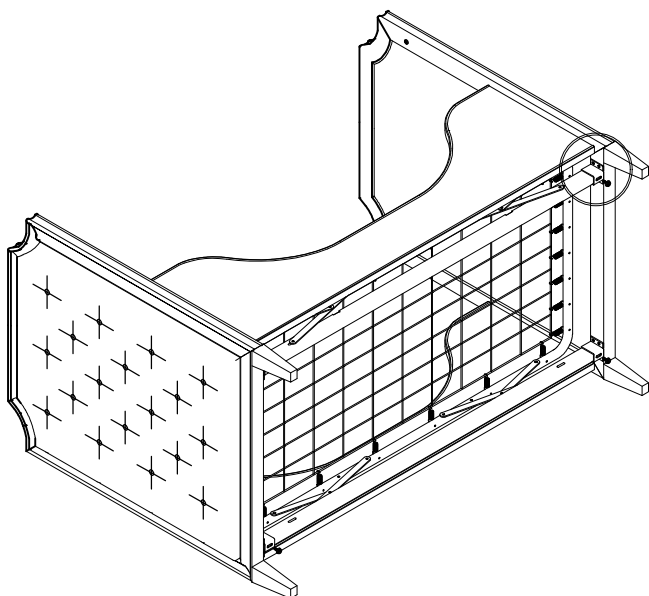
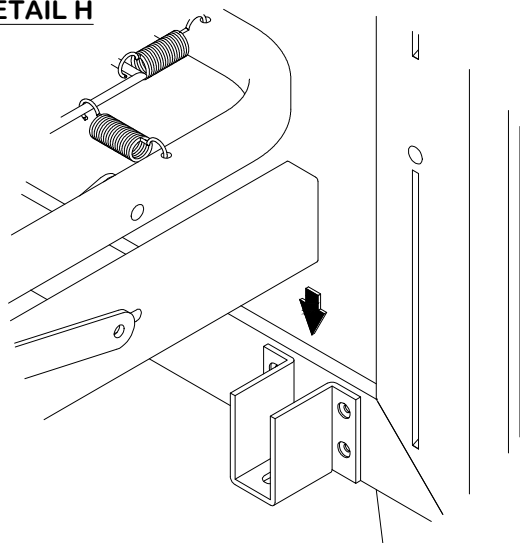
STEP #4.2

Once the stabilizer rails are set, hold the mattress support and lay down the toddler bed then fasten the stabilizer rails with bolt, with plain washer and lock washer. See **DETAIL I**.

NOTE

After assembly, re-tighten all bolts to a snug fit.

DETAIL H



DETAIL I

