

baby&child

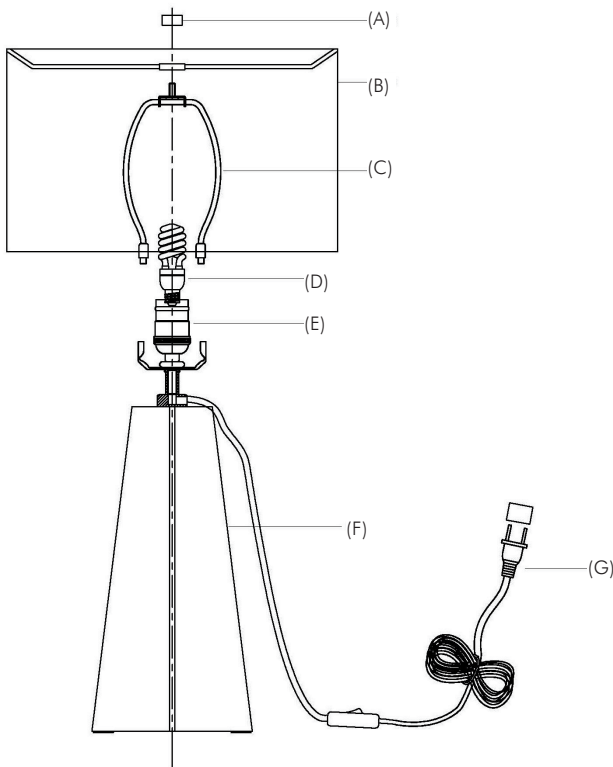
RESTORATION HARDWARE

Thank you for selecting Restoration Hardware Baby & Child lighting. Our assortment is crafted with the highest quality materials that coordinate perfectly with our Baby & Child bedding collections, making it easy to create an elegant nursery or child's bedroom. The item's surface is sealed, which eliminates the need for polishing and ensures a lasting finish for years to come.

PARTS ENCLOSED:

- A [1] FINIAL
- B [1] SHADE [TOP D: 13", BOTTOM D: 13", H: 8.125"]
- C [1] HARP
- D [1] CFL BULB [INCLUDED]
- E [1] SOCKET
- F [1] LAMP BASE
- G [1] CORD

DALTON TABLE LMP W SHADE GMTL



IMPORTANT SAFETY INSTRUCTIONS:

For safety purposes, this lamp is equipped with a polarized plug (one blade is wider than the other). If the plug does not fit securely into your outlet, do not force it — contact a professional electrician. Use the plug with an extension cord only if it can be fully inserted into the cord's socket. Never alter the plug in any way. This fixture has been rated for up to one (1) 60-watt maximum E26 bulb. To avoid the risk of fire, do not exceed the recommended wattage.

WARNINGS:

All wires are connected. When unpacking, be careful not pull wires as a bad connection may result. Do not connect electricity until your lamp is fully assembled. To reduce the risk of fire, electrical shock, or personal injury, always turn off lamp and allow it to cool prior to replacing light bulb. Do not touch bulb when fixture is turned on or look directly at lit bulb. Keep flammable materials away from lit bulb.



THIS IS NOT A TOY AND THE PRODUCT HAS NO PLAY VALUE

WARNING: STRANGULATION HAZARD

Keep cord at least 3 ft away from cribs, bassinets and toddler beds. Keep out of reach of children under 3.

TO ASSEMBLE:

1. Carefully remove all parts from the box and remove all plastic covering.
2. Unscrew the washer (B) from the socket (D).
3. Place shade (C) onto socket (D) and screw washer (B) back onto socket (D).
4. Insert the bulb (A) into the socket (D).
5. Installation is complete.

CARE INSTRUCTIONS:

Do not use polishes or cleaners on your lamp. Just wipe clean with a soft cloth.