

RHTEEN

BABY AVALON BUNK BED FULL OVER FULL, STORAGE INSTRUCTIONS

All Restoration Hardware Bunk Beds are designed to meet the highest safety standards and comply with all U.S. and Canadian Bunk Beds regulations.

Made in Vietnam

Distributed in the U.S.A. by:

Restoration Hardware Baby & Child

11640 Harrel St. Suite B

Mira Loma, CA 91752

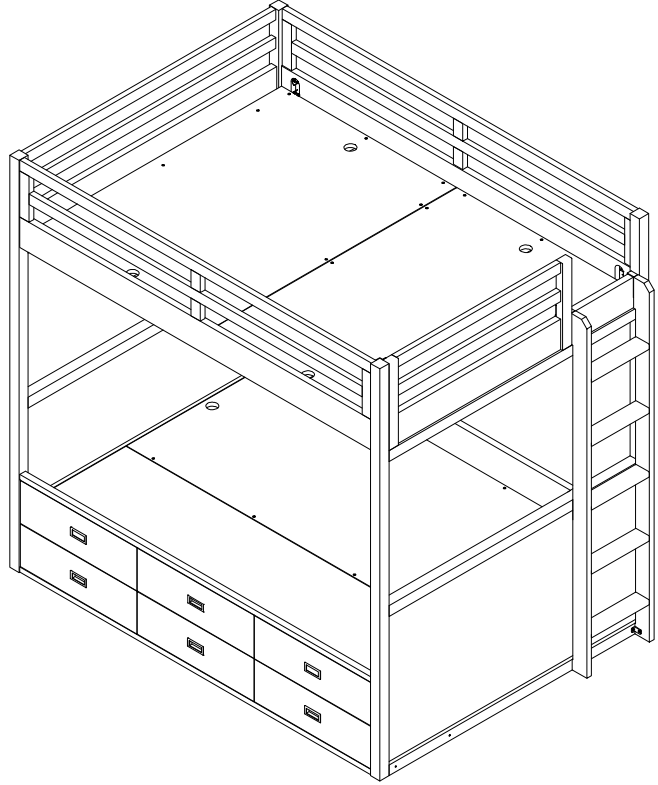
www.rhbabyandchild.com

Distributed in Canada by:

Restoration Hardware Canada, Inc.

1500-1055 West Georgia Street

Vancouver, British Columbia V6E4N7



WARNING: Read all instructions before assembling this product.
KEEP INSTRUCTIONS FOR FUTURE USE.

CUSTOMER SERVICE

If you are missing parts or have any questions about this product, contact us first. You can also order parts by writing to the address above. Include the product model number, color, and a brief description of the part.

Call 1-800-762-1751.

CARE AND CLEANING

DO NOT scratch or chip the finish. DO NOT use abrasive chemicals for cleaning. Dust often using a clean, soft, dry cloth. Blot spills immediately and wipe with a clean damp cloth. If the crib is to be stored, store in a cool dry place and carefully package all original hardware to protect from loss.

TOOLS AND INSTALLATION

Tools Necessary: Allen Key (included)

Wrench (included)

Screwdriver (not included)

Note: It may be easier to assemble product with two people.

NOTE: When inserting bolts, turn clockwise until tight. Then loosen $\frac{1}{2}$ - $\frac{3}{4}$ of a turn. After bunks is completely assembled, return to each bolt and tighten. Use wax or soap on all bolts to facilitate assembly.

RHTEEN

BABY AVALON BUNK BED FULL OVER FULL, STORAGE INSTRUCTIONS

IMPORTANT SAFETY INFORMATION FOR BUNK BED

1. Follow the information on the WARNINGS appearing on the upper bunk end structure and on the carton.
2. Always use the specified size mattress, mattress support, or both to help prevent the likelihood of entrapment or falls.
3. Surface of mattress must be at least 5 inches below the upper edge of guardrails on top bunk.
4. Do not allow children under 6 years of age to use the upper bunk.
5. Prohibit more than one person on upper bunk.
6. Periodically check and ensure that the guardrails, ladder, and other components are in their proper position, free from damage, and that all connectors are tight.
7. Do not allow horseplay on or under the bed and prohibit jumping on the bed.
8. Always use the ladder for entering and leaving the upper bunk.
9. Do not use substitute parts. Contact Restoration Hardware for replacement parts.
10. Use of a night light may provide added safety precaution for a child using the upper bunk.
11. Use guardrails on both sides of the upper bunk.
12. If the bunk bed will be placed next to a wall, the guardrail that runs the full length of the bed should be placed against the wall to prevent entrapment between the bed and the wall.
13. The use of water flotation mattress is prohibited.
14. STRANGULATION HAZARD - Never attach or hang items to any part of the bunk bed that are not designed for use with the bed: for example, but not limited to, hooks, belts, and jump ropes
15. Keep these instructions for future reference.

WARNING

To help prevent serious or fatal injuries from entrapment of falls:

- Never allow a child under 6 years on upper bunk.
- Use only mattress which is 74"-75" long and 52 $\frac{1}{2}$ " - 53 $\frac{1}{2}$ " wide on upper bunk.
- Ensure thickness of mattress does not exceed 6" and mattress is at least 5" below upper edge of guardrails.
- Use guardrails on both sides of upper bunk.
- Prohibit horseplay on or under bed(s).
- Prohibit more than one person on upper bunk.
- Use ladder for entering and leaving upper bunk.
- STRANGULATION HAZARD - Never attach or hang items to any part of the bunk bed that are not designed for use with the bed; for example, but not limited to, hooks, bells, and jump ropes.

DO NOT REMOVE THIS LABEL





RHTEEN

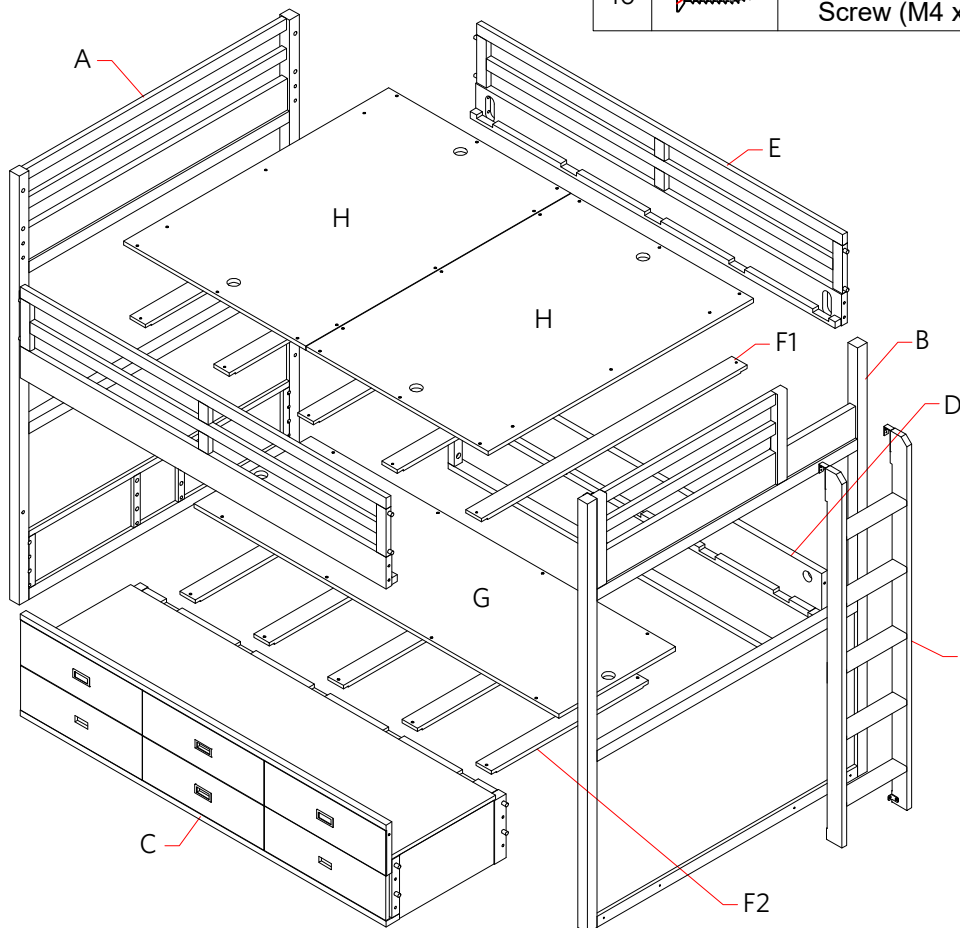
BABY AVALON BUNK BED FULL OVER FULL, STORAGE INSTRUCTIONS

COMPONENT IDENTIFICATION AND HARDWARE

PARTS INCLUDED

- A [1] HEADBOARD
- B [1] FOOTBOARD
- C [1] STORAGE
- D [1] LOWER SIDE RAIL
- E [2] UPPER SIDE RAILS
- F1 [5] BED SLATS (LONG)
- F2 [5] BED SLATS (SHORT)
- G [1] LOWER PLATFORM PANEL
- H [2] UPPER PLATFORM PANELS
- I [1] LADDER

NO.	ITEM	DESCRIPTION	QTY.
1		Threaded Rod	12 pcs.
2		Curved Washer	12 pcs.
3		Lock Washer	24 pcs.
4		Hex Nut	12 pcs.
5		Wrench	1 pc.
6		Allen Bolt (M8 x 40mm)	12 pcs.
7		Plain Washer	12 pcs.
8		Allen Key	1 pc.
9		Round Head Screw (M4 x 21mm)	52 pcs.
10		Flat Head Phillips Screw (M4 x 20)	4 pcs.



RHTEEN

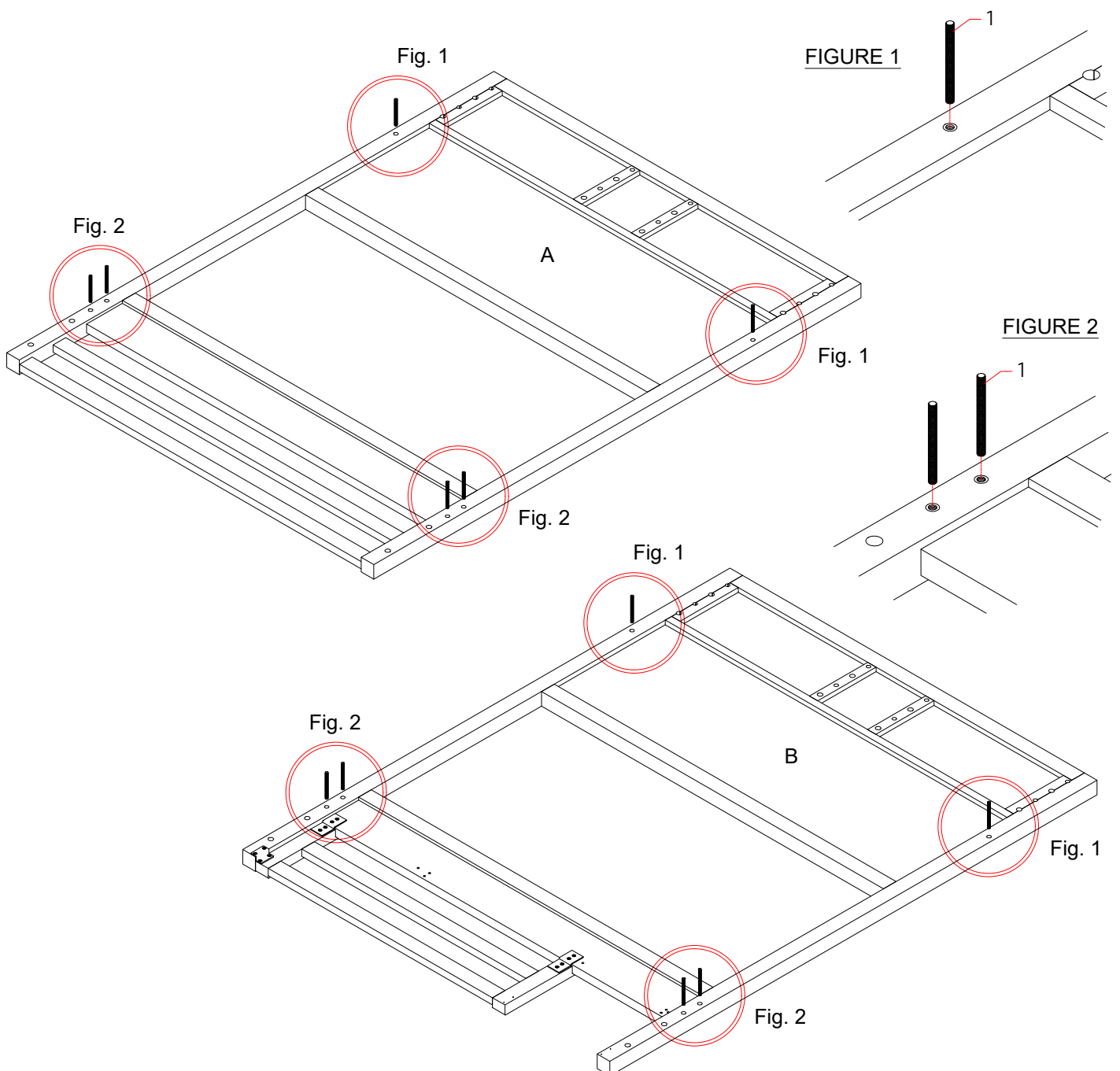
BABY AVALON BUNK BED FULL OVER FULL, STORAGE INSTRUCTIONS

IMPORTANT

These bed parts can be cumbersome and heavy, therefore the assistance of two or more people is recommended in order to prevent personal injury and ensure the bed parts are not damaged during the assembly process.

ASSEMBLY INSTRUCTIONS

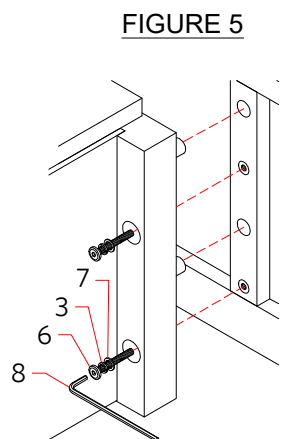
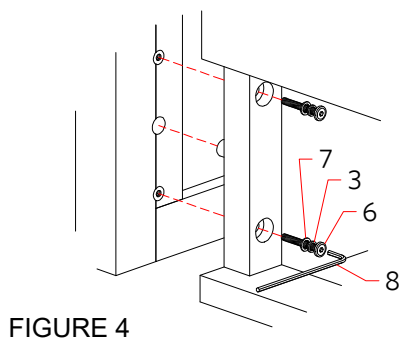
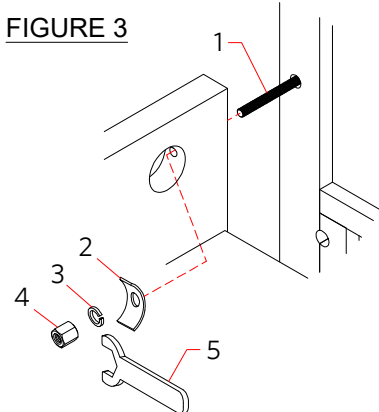
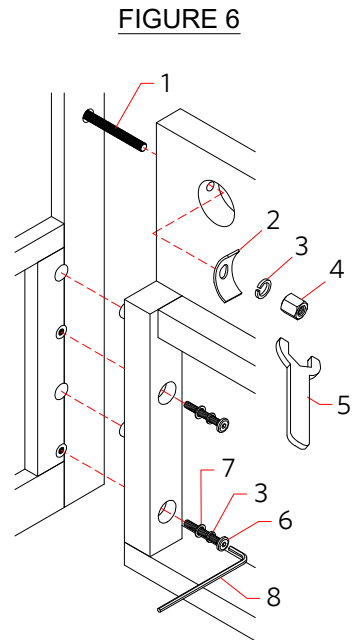
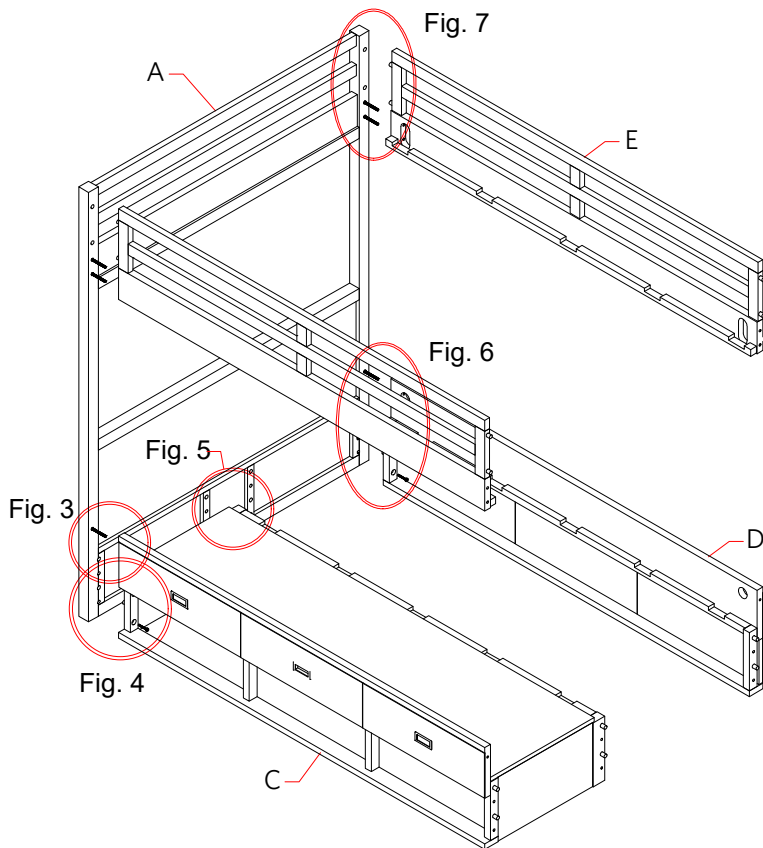
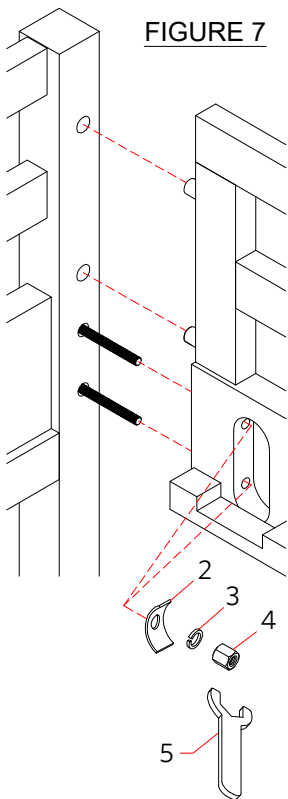
1. Lay the headboard (A) and the footboard (B) on a flat surface.
2. Attach the threaded rods (1) into the fixed nuts in the post of the headboard/footboard by turning them manually. See FIGURE 1 and FIGURE 2.



RHTEEN

BABY AVALON BUNK BED FULL OVER FULL, STORAGE INSTRUCTIONS

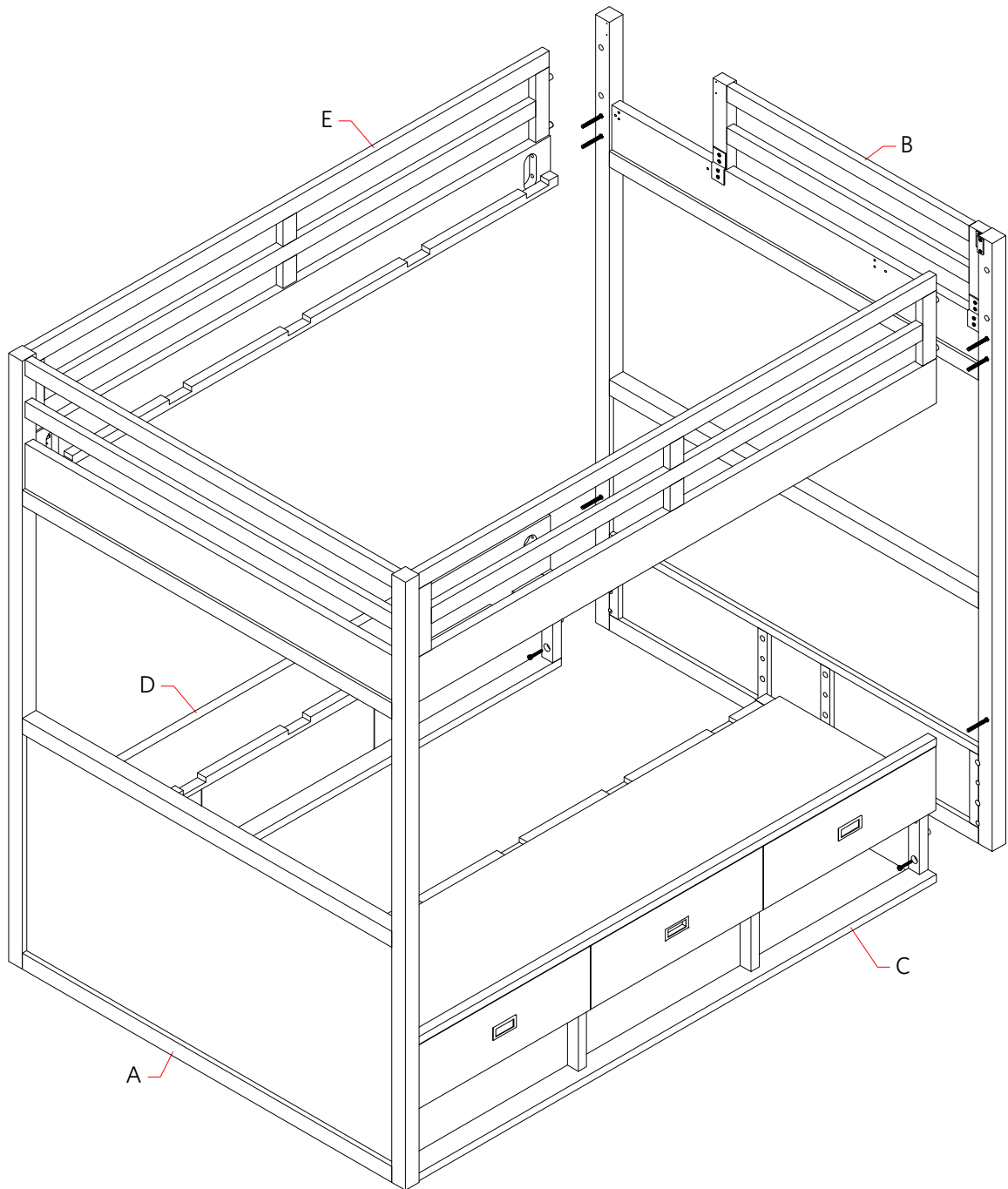
3. Fully remove all the drawers out of the storage (C). Attach the storage to the headboard (A), as per illustration in FIGURE 3, FIGURE 4 and FIGURE 5.
4. Attach the lower side rail (D) to the headboard, as per illustration in FIGURE 6. NOTE: Side panel is exchangeable for ladder placement on either side.
5. Bring the upper side rail (E) in upright position and align the threaded rods on the headboard to the corresponding holes in the end of the upper side rail. Attach the upper side rail to the headboard, as in FIGURE 7. KEEP HOLDING THIS SIDE RAIL DURING NEXT STEP.
6. Repeat step 5 to attach the other upper side rail to the headboard. KEEP HOLDING BOTH UPPER SIDE RAILS DURING NEXT STEP.



RHTEEN

BABY AVALON BUNK BED FULL OVER FULL, STORAGE INSTRUCTIONS

- Align the threaded rods on the footboard (B) to the corresponding holes at the end of the storage (C), lower side rail (D) and upper side rails (E). Align the locator pins on the end of the storage and the side rails to the corresponding holes in the footboard. Insert the footboard into the storage and the side rails.
- Repeat step 3, 4, 5 and 6 to attach the storage and the side rails to the footboard.



RHTEEN

BABY AVALON BUNK BED FULL OVER FULL, STORAGE INSTRUCTIONS

9. Set the bed slats (F1, F2) on the upper bunk and lower bunk. Secure each slat by using screws (9) provided. See FIGURE 8.
10. Place the platform panels (G, H) on the lower bunk and the upper bunk, then fix them with screws (9). See FIGURE 9.

FIGURE 8

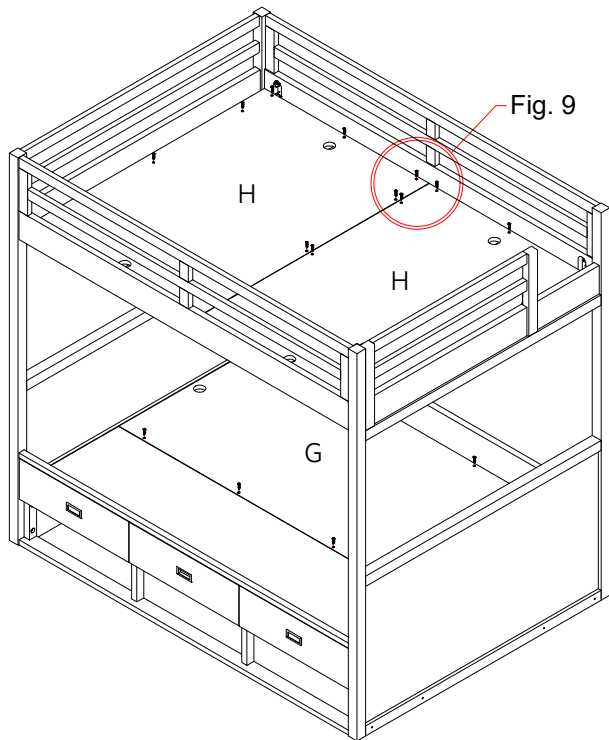
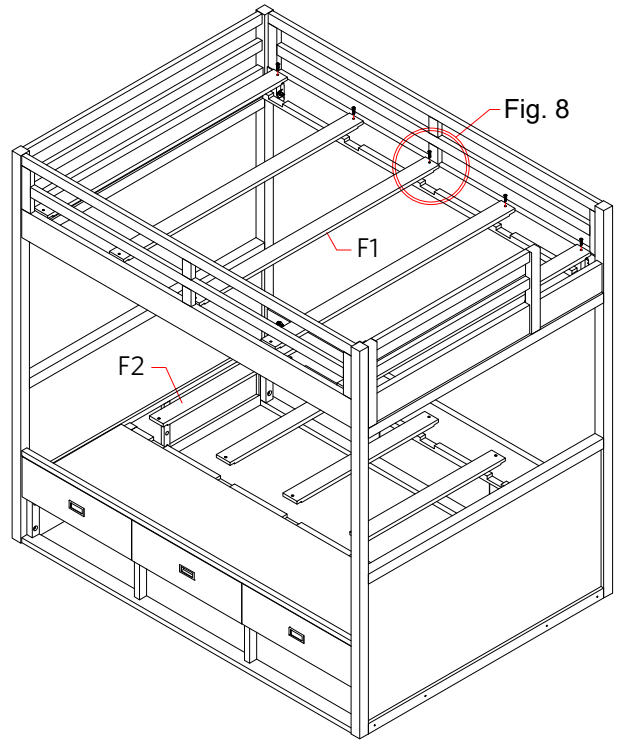
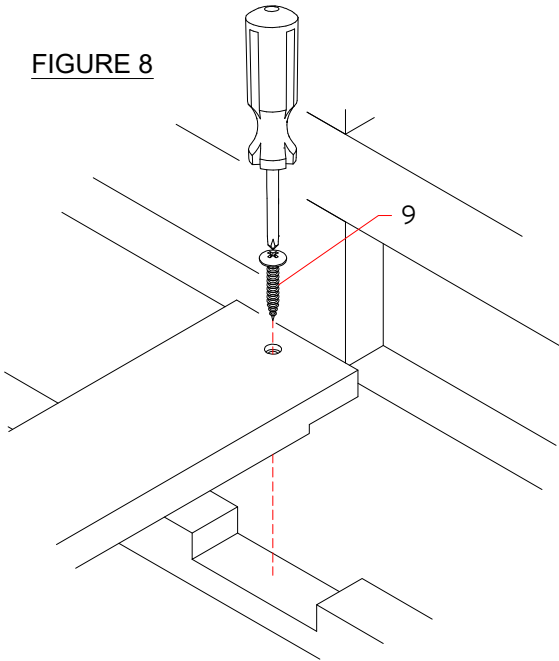
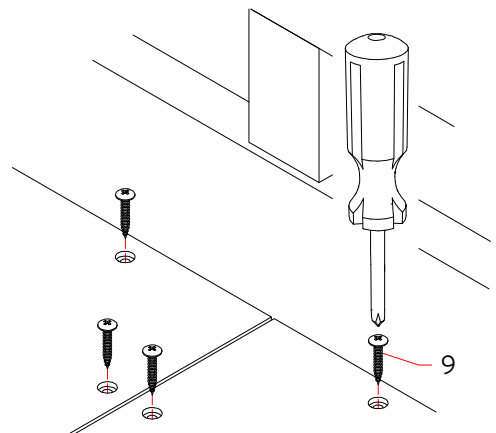


FIGURE 9



RHTEEN

BABY AVALON BUNK BED FULL OVER FULL, STORAGE INSTRUCTIONS

11. Hook the ladder (l) on the footboard then secure it with screws (10), as per illustration in FIGURE 12 and FIGURE 13.
12. Return the drawers to the storage. Assembly is complete.

FIGURE 12

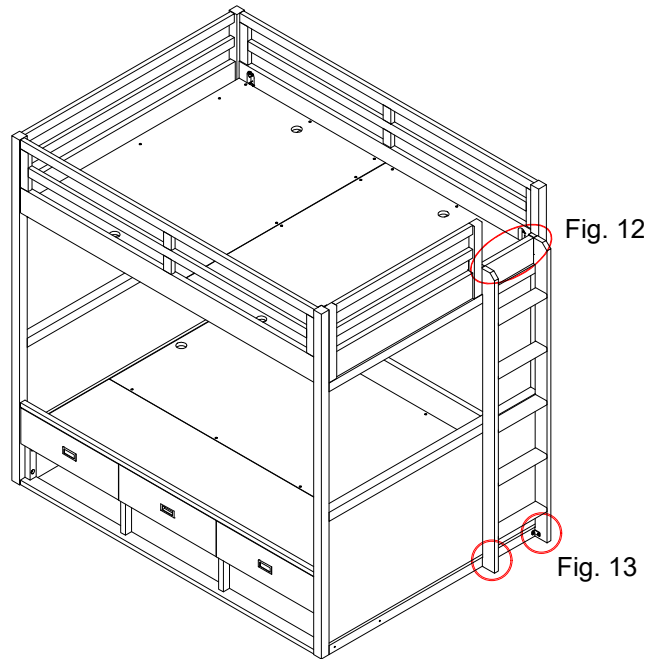
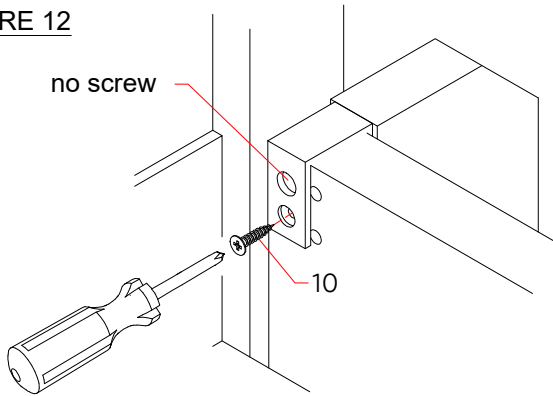
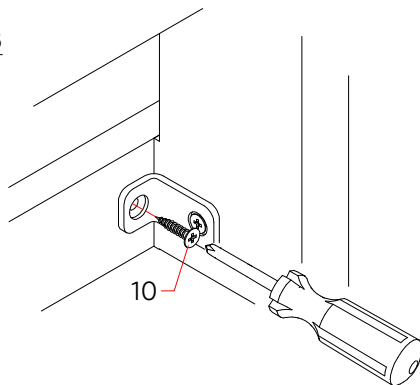


FIGURE 13



OPTION 1

OPTION 2

