

RH BABY & CHILD

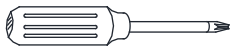
BELLE TWIN DAYBED INSTRUCTIONS

PARTS INCLUDED:

- A [1] BACK SECTION
- B [1] LEFT SIDE SECTION
- C [1] RIGHT SIDE SECTION
- D [1] SIDE RAIL
- E [3] STRETCHER BARS
- F [2] TOP PLATFORM PANELS

TOOLS NEEDED:

Phillips Head Screwdriver (not included)



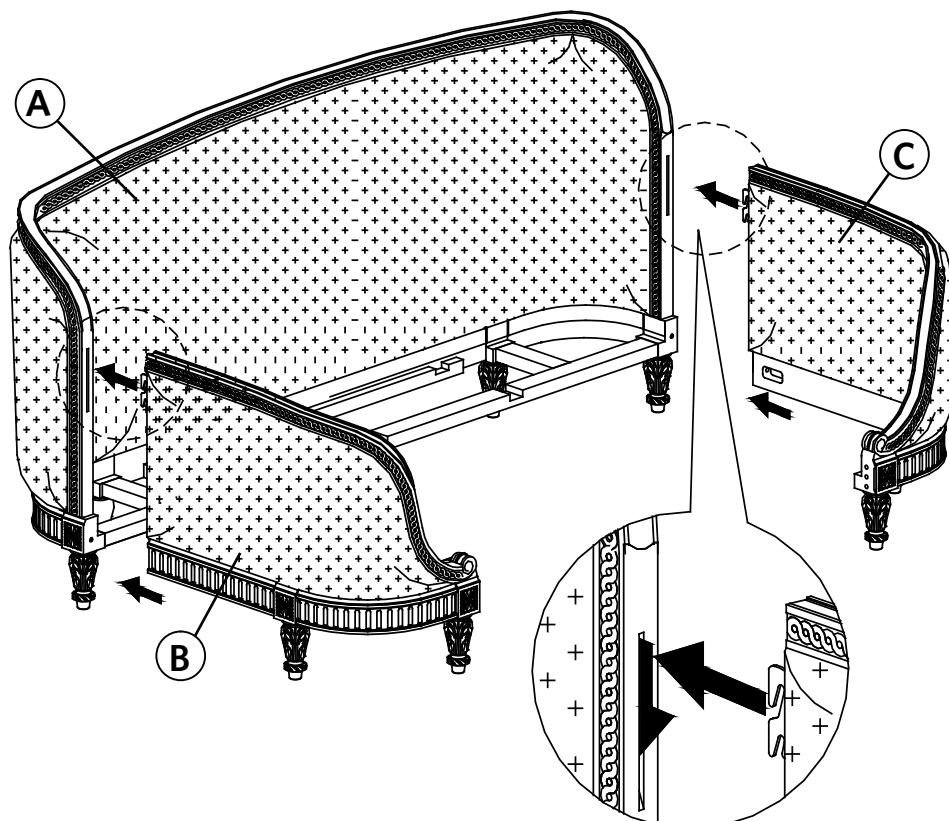
ASSEMBLY INSTRUCTIONS:

Note:

- Bed must be assembled by at least two people.
- Please read instructions carefully before assembling bed.
- Use the above parts and fittings list to identify each component.
- Keep all packing materials until assembly is complete to avoid loss of smaller parts.

STEP 1:

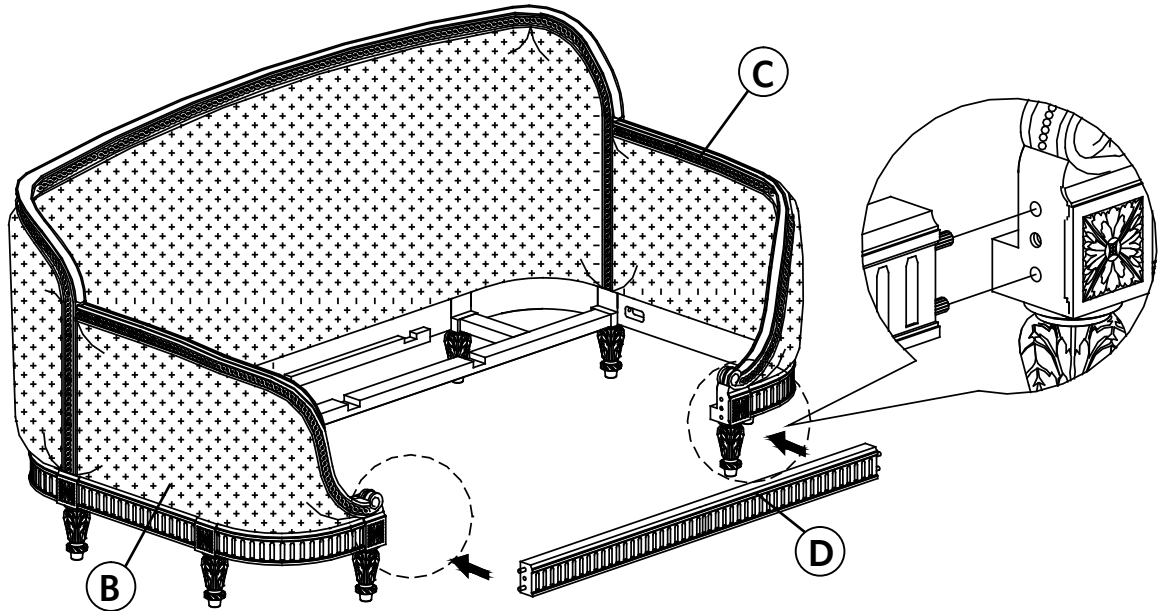
Place the hooks of the Left/ Right Side Sections (B,C) into the slots in the Back Section (A). If necessary, using a thick magazine or book to protect the Left/ Right Side Sections (B,C), hammer with a mallet or hammer until tight.



NO.	ITEM	DESCRIPTION	QTY.
1		Bolts 5/16" x 2-1/2"	4 pcs.
2		Spring Washers 5/16"	4 pcs.
3		Flat Washers 5/16"	4 pcs.
4		Allen Key 4mm	4 pcs.
5		Screws 8 x 30mm	15 pcs.
6		Screws 8 x 25mm	3 pcs.

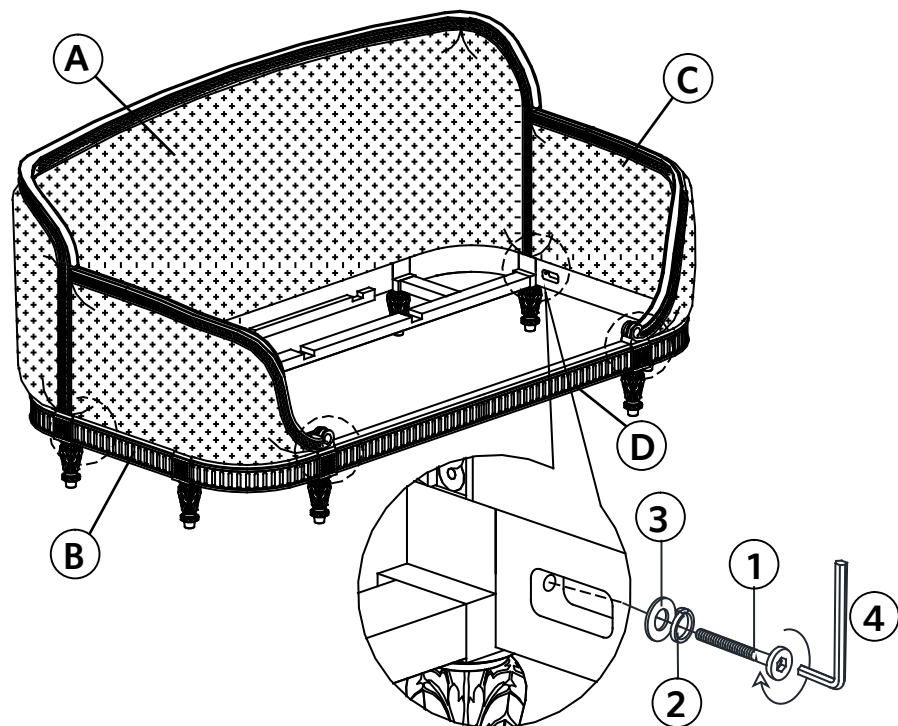
STEP 2:

Attach the Side Rail (D) to the Left/ Right Side Sections (B,C) by aligning pre-installed wooden dowels and pre-drilled holes on Side Rail (D) with the pre-drilled holes on the Left/ Right Side Sections (B,C).



STEP 3:

Attach the Left/ Right Side Sections (B,C) to the Side Rail (D), and to Back Section (A) by using Bolts (1), Spring Washers (2), Flat Washers (3) and tighten with Allen Key (4).



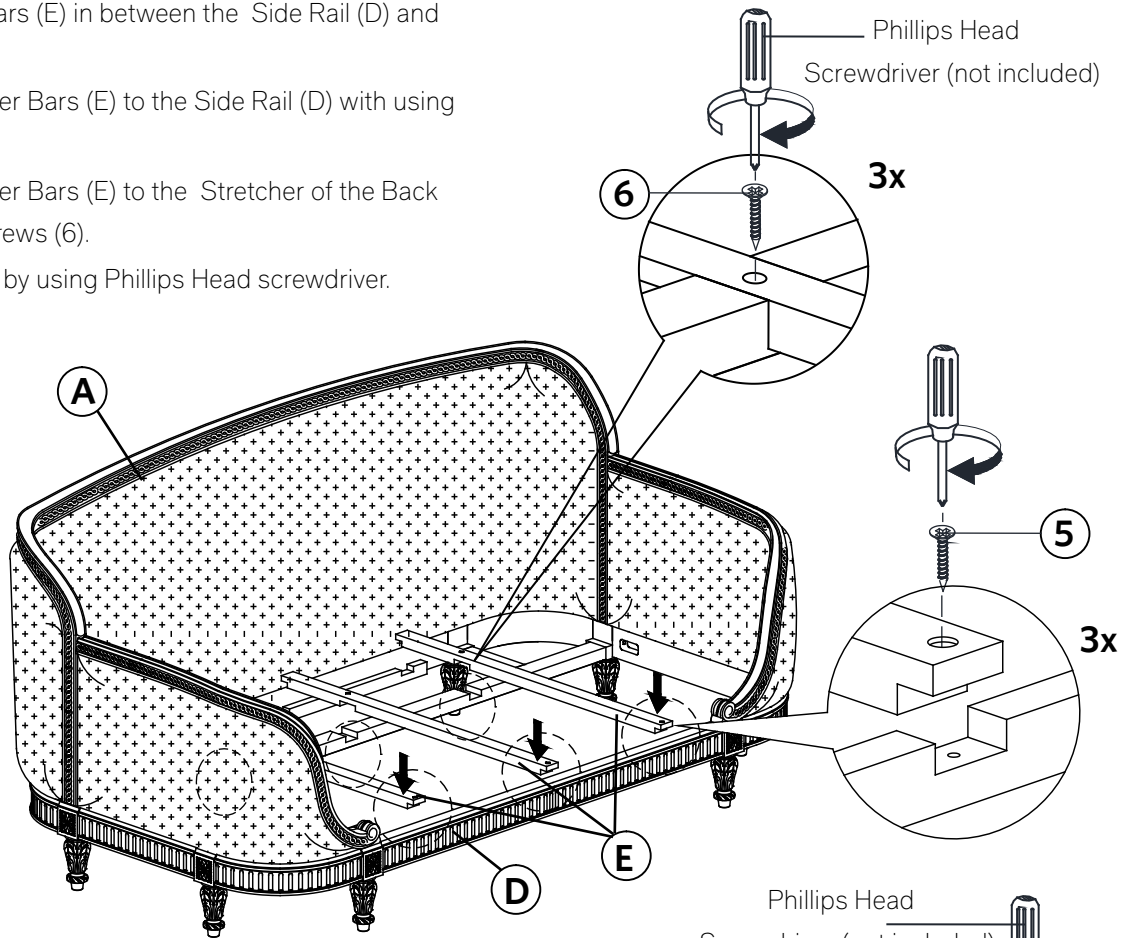
STEP 4:

Lay the Stretcher Bars (E) in between the Side Rail (D) and Back Section (A).

- Attach the Stretcher Bars (E) to the Side Rail (D) with using Screws (5).

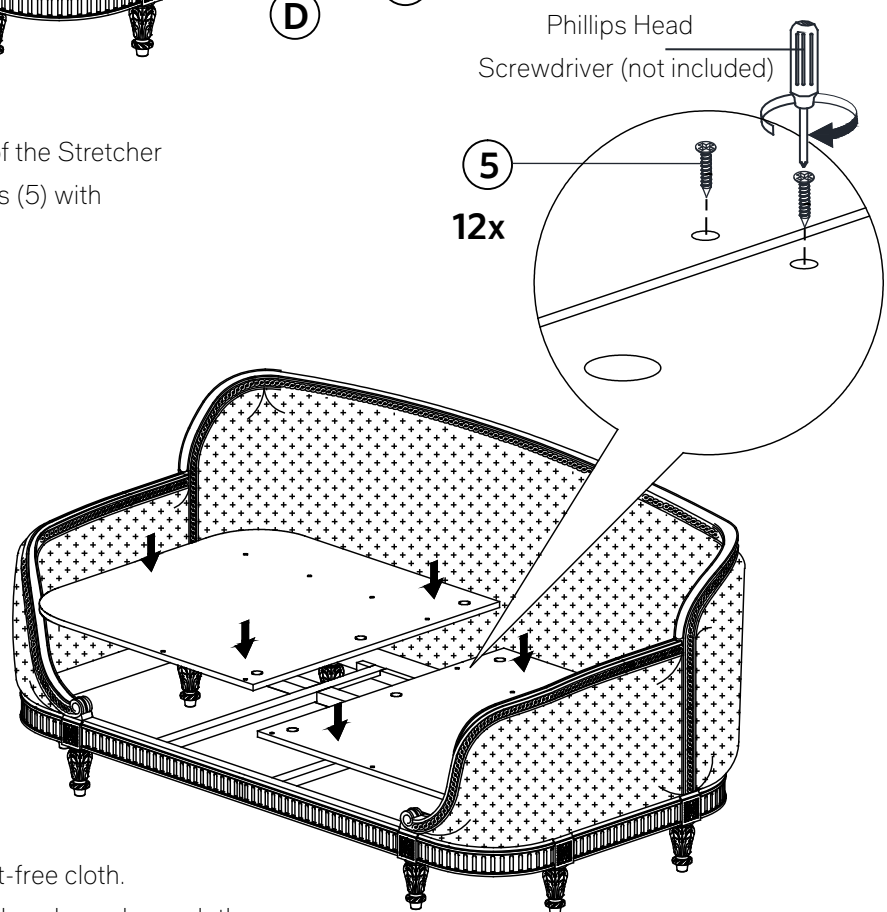
- Attach the Stretcher Bars (E) to the Stretcher of the Back Section (A) with Screws (6).

- Tighten all screws by using Phillips Head screwdriver.



STEP 5:

Lay the Top Platform Panels (F) on top of the Stretcher Bars (E) and attach using Qty. 12 Screws (5) with Phillips head screwdriver.



CARE INSTRUCTIONS:

1. Dust often using a clean, soft, dry lint-free cloth.
2. Blot spills immediately, and wipe with a clean, damp cloth.
3. We do not recommend the use of chemical cleansers, abrasives, or furniture polish on our lacquered finish.